



## User's Guide

### VLXT.I (.JP) / VLXT.FO cameras (10 Gigabit Ethernet)

Document Version: v1.8  
Release: 10.03.2021  
Document Number: 11207580

# Table of Contents

<b>1. General Information</b> .....	<b>9</b>
1.1 Software Licensing Information.....	11
<b>2. General safety Instructions</b> .....	<b>13</b>
<b>3. Camera Models</b> .....	<b>14</b>
3.1 VLXT.I (.JP) (10GBASE-T).....	16
3.2 VLXT.FO (10GBASE-SR/LR).....	19
<b>4. Installation</b> .....	<b>21</b>
4.1 Environmental Requirements.....	21
4.2 Ambient Temperature / Heat Transmission .....	21
4.2.1 Emergency shutdown at Overtemperature.....	23
4.3 Mechanical Tests.....	25
4.3.1 VLXT.I (.JP) (10GBASE-T) .....	25
4.3.2 VLXT.FO (10GBASE-SR/LR) .....	25
4.4 Lens mounting .....	25
4.5 Modular tube system (ordered separately) .....	26
4.6 IP Protection classes.....	28
4.7 Cables.....	29
4.8 Cleaning.....	30
<b>5. Pin Assignment / LED-Signaling</b> .....	<b>31</b>
5.1 VLXT.I / .JP (10GBASE-T) .....	31
5.1.1 Data Interface .....	31
5.1.2 Power and Process Interface .....	31
5.1.3 Lens Control (≥ Release 3 only).....	32
5.1.4 Digital-IO.....	33
5.1.5 LED Signaling.....	34
5.2 VLXT.FO (10GBASE-SR/LR).....	35
5.2.1 Data Interface .....	35
5.2.2 Transceiver / Cables.....	35
5.2.3 Power and Process Interface .....	36
5.2.4 Lens Control (≥ Release 3 only).....	36
5.2.5 Digital-IO.....	37
5.2.6 LED Signaling.....	38
<b>6. Product Specifications</b> .....	<b>39</b>
6.1 Spectral Sensitivity.....	39
6.2 Sensor position accuracy.....	42
6.3 Software.....	43
6.3.1 Baumer GAPI .....	43
6.3.2 3 <sup>rd</sup> Party Software .....	43
<b>7. Camera Functions</b> .....	<b>44</b>
7.1 Category: AcquisitionControl.....	44
7.1.1 AcquisitionAbort.....	44
7.1.2 AcquisitionFrameCount .....	44

7.1.3	AcquisitionFrameRate	45
7.1.4	AcquisitionFrameRateEnable	45
7.1.5	AcquisitionMode	46
7.1.6	AcquisitionStart	46
7.1.7	AcquisitionStatus	47
7.1.8	AcquisitionStatusSelector	47
7.1.9	AcquisitionStop	47
7.1.10	ExposureAuto (≥ Release 2 only)	48
7.1.11	ExposureMode	48
7.1.12	ExposureTime	49
7.1.13	ExposureTimeGapMax (≥ Release 3 only)	50
7.1.14	ExposureTimeGapMin (≥ Release 3 only)	50
7.1.15	ReadoutMode	51
7.1.16	ShortExposureTimeEnable	51
7.1.17	TriggerActivation	52
7.1.18	TriggerDelay	52
7.1.19	TriggerMode	52
7.1.20	TriggerOverlap	52
7.1.21	TriggerSelector	53
7.1.22	TriggerSoftware	53
7.1.23	TriggerSource	53
7.2	Category: ActionControl	54
7.2.1	ActionDeviceKey	54
7.2.2	ActionGroupKey	54
7.2.3	ActionGroupMask	54
7.2.4	ActionSelector	55
7.3	Category: AnalogControl	55
7.3.1	BalanceWhiteAuto (color cameras only)	55
7.3.2	BlackLevel	56
7.3.3	BlackLevelSelector	57
7.3.4	Gain	57
7.3.5	GainAuto (≥ Release 2 only)	58
7.3.6	GainSelector	58
7.3.7	Gamma	58
7.3.8	HighConversionGainEnable	59
7.3.9	HighConversionGain	59
7.4	Category: AutoFeatureControl (≥ Release 2 only)	60
7.4.1	AutoFeatureHeight	62
7.4.2	AutoFeatureOffsetX	62
7.4.3	AutoFeatureOffsetY	63
7.4.4	AutoFeatureRegionMode	63
7.4.5	AutoFeatureRegionReference	64
7.4.6	AutoFeatureRegionSelector	64
7.4.7	AutoFeatureWidth	64
7.4.8	BalanceWhiteAutoStatus	65
7.4.9	BrightnessAutoNominalValue	65
7.4.10	BrightnessAutoPriority	65
7.4.11	ExposureAutoMaxValue	66
7.4.12	ExposureAutoMinValue	67
7.4.13	GainAutoMaxValue	67
7.4.14	GainAutoMinValue	67
7.5	Category: ChunkDataControl	68
7.5.1	ChunkEnable	69
7.5.2	ChunkModeActive	69
7.5.3	ChunkSelector	69
7.6	Category: ColorTransformationControl (color cameras only)	71
7.6.1	ColorTransformationAuto	71
7.6.2	ColorTransformationEnable	71
7.6.3	ColorTransformationFactoryListSelector	72
7.6.4	ColorTransformationOutputColorSpace (≥ Release 2 only)	72
7.6.5	ColorTransformationResetToFactoryList	72
7.6.6	ColorTransformationValue	73

7.6.7 ColorTransformationValueSelector .....	73
7.7 Category: CounterAndTimerControl .....	73
7.7.1 CounterDuration .....	73
7.7.2 CounterEventActivation .....	74
7.7.3 CounterEventSource .....	74
7.7.4 CounterReset .....	74
7.7.5 CounterResetActivation .....	75
7.7.6 CounterResetSource .....	75
7.7.7 CounterSelector .....	75
7.7.8 CounterValue .....	76
7.7.9 CounterValueAtReset .....	76
7.7.10 FrameCounter .....	76
7.7.11 TimerDelay .....	77
7.7.12 TimerDuration .....	77
7.7.13 TimerSelector .....	77
7.7.14 TimerTriggerActivation .....	78
7.7.15 TimerTriggerSource .....	78
7.8 Category: CustomDataControl (≥ Release 2 only) .....	79
7.8.1 CustomData .....	79
7.8.2 CustomDataConfigurationMode .....	79
7.8.3 CustomDataSelector .....	79
7.9 Category: DeviceControl .....	80
7.9.1 DeviceCharacterSet .....	80
7.9.2 DeviceEventChannelCount .....	80
7.9.3 DeviceFamilyName .....	80
7.9.4 DeviceFirmwareVersion .....	81
7.9.5 DeviceFrontUARTSource (≥ Release 3 only) .....	81
7.9.6 DeviceLinkCommandTimeout .....	81
7.9.7 DeviceLinkHeartbeatMode .....	81
7.9.8 DeviceLinkHeartbeatTimeout .....	82
7.9.9 DeviceLinkSelector .....	82
7.9.10 DeviceLinkSpeed .....	82
7.9.11 DeviceLinkThroughputLimit .....	82
7.9.12 DeviceManufacturerInfo .....	83
7.9.13 DevicemodelName .....	83
7.9.14 DeviceRegistersEndianness .....	83
7.9.15 DeviceReset .....	84
7.9.16 DeviceResetToDeliveryState .....	84
7.9.17 DeviceSFNCVersionMajor .....	84
7.9.18 DeviceSFNCVersionMinor .....	85
7.9.19 DeviceSFNCVersionSubMinor .....	85
7.9.20 DeviceScanType .....	85
7.9.21 DeviceSensorType .....	85
7.9.22 DeviceSerialNumber .....	86
7.9.23 DeviceStreamChannelCount .....	86
7.9.24 DeviceStreamChannelEndianness .....	86
7.9.25 DeviceStreamChannelPacketSize .....	86
7.9.26 DeviceStreamChannelSelector .....	87
7.9.27 DeviceStreamChannelType .....	87
7.9.28 DeviceTLType .....	87
7.9.29 DeviceTLVersionMajor .....	87
7.9.30 DeviceTLVersionMinor .....	88
7.9.31 DeviceTLVersionSubMinor .....	88
7.9.32 DeviceTemperature .....	88
7.9.33 DeviceTemperatureExceeded .....	88
7.9.34 DeviceTemperatureSelector .....	89
7.9.35 DeviceTemperatureStatus .....	89
7.9.36 DeviceTemperatureStatusTransition .....	89
7.9.37 DeviceTemperatureStatusTransitionSelector .....	90
7.9.38 DeviceType .....	90
7.9.39 DeviceUserID .....	90
7.9.40 DeviceVendorName .....	91
7.9.41 DeviceVersion .....	91

7.9.42	ReadOutTime	91
7.9.43	TimestampLatch	92
7.9.44	TimestampLatchValue	92
7.9.45	TimestampLatchValuePtpDays (≥ Release 2 only)	92
7.9.46	TimestampLatchValuePtpHours (≥ Release 2 only)	92
7.9.47	TimestampLatchValuePtpMinutes (≥ Release 2 only)	93
7.9.48	TimestampLatchValuePtpSeconds (≥ Release 2 only)	93
7.9.49	TimestampLatchValuePtpNanoseconds (≥ Release 2 only)	93
7.9.50	TimestampReset	93
7.10	Category: DigitalIOControl	94
7.10.1	LineDebouncerHighTimeAbs	96
7.10.2	LineDebouncerLowTimeAbs	96
7.10.3	LineFormat	97
7.10.4	LineInverter	98
7.10.5	LineMode	98
7.10.6	LinePWMConfigurationMode	99
7.10.7	LinePWMDuration	100
7.10.8	LinePWMDutyCycle	100
7.10.9	LinePWMMaxDuration	101
7.10.10	LinePWMMaxDutyCycle	101
7.10.11	LinePWMMode	101
7.10.12	LinePWMOffTime	102
7.10.13	LinePWMPeriodTime	102
7.10.14	LineSelector	103
7.10.15	LineSource	104
7.10.16	LineStatus	105
7.10.17	LineStatusAll	105
7.10.18	UserOutputSelector	106
7.10.19	UserOutputValue	106
7.10.20	UserOutputValueAll	106
7.11	Category: EventControl	107
7.11.1	EventNotification	107
7.11.2	EventSelector	107
7.11.3	LostEventCounter	109
7.12	Category: HDRControl	109
7.12.1	HDREnable	113
7.12.2	HDRExposureTimeBrightArea	114
7.12.3	HDRExposureTimeDarkArea	114
7.12.4	HDRGainBrightArea	115
7.12.5	HDRGainDarkArea	115
7.12.6	HDRGainRatio	116
7.12.7	HDRExposureTimeRatio	116
7.12.8	HDRGainRatioSelector	117
7.12.9	HDRProcessingEnable	117
7.12.10	HDRProcessingThresholdMax	118
7.12.11	HDRProcessingThresholdMin	118
7.12.12	HDRSplitviewEnable	119
7.12.13	Category: HDRTonemappingCurveControl	120
7.12.13.1	HDRTonemappingCurveGradient	121
7.12.13.2	HDRTonemappingCurveGridpoint	121
7.12.13.3	HDRTonemappingCurveGridpointIndex	121
7.12.13.4	HDRTonemappingCurveOffset	122
7.12.14	HDRTonemappingCurvePresetSelector	122
7.12.15	HDRTonemappingCurveResetToPreset	123
7.12.16	HDRTonemappingEnable	123
7.13	Category: ImageFormatControl	124
7.13.1	BinningHorizontal	126
7.13.2	BinningHorizontalMode	127
7.13.3	BinningSelector	127
7.13.4	BinningVertical	128
7.13.5	BinningVerticalMode	128
7.13.6	Height	129

7.13.7	HeightMax	130
7.13.8	ImageCompressionJPEGFormatOption (.JP cameras only)	131
7.13.9	ImageCompressionMode (.JP cameras only)	131
7.13.10	ImageCompressionQuality (.JP cameras only)	132
7.13.11	ImageCompressionRateOption (.JP cameras only)	133
7.13.12	OffsetX	134
7.13.13	OffsetY	134
7.13.14	PixelFormat	135
7.13.15	RegionMode (≥ Release 3 only)	137
7.13.16	RegionSelector (≥ Release 3 only)	138
7.13.17	ReverseX (only mono cameras / pixel formats)	139
7.13.18	ReverseY (only monochrome cameras / pixel formats)	139
7.13.19	SensorADDigitization	139
7.13.20	SensorHeight	140
7.13.21	SensorName (≥ Release 2 only)	140
7.13.22	SensorPixelHeight (≥ Release 2 only)	140
7.13.23	SensorPixelWidth (≥ Release 2 only)	140
7.13.24	SensorWidth	141
7.13.25	TestPattern	141
7.13.26	TestPatternGeneratorSelector	142
7.13.27	Width	142
7.13.28	WidthMax	144
7.14	Category: ImageProcessingControl (≥ Release 3 only)	145
7.14.1	ShadingCalibrationStart	146
7.14.2	ShadingEnable	146
7.14.3	SharpeningFactor	146
7.14.4	SharpeningMode	147
7.14.5	SharpeningSensitivityThreshold	147
7.15	Category: LUTControl	148
7.15.1	DefectPixelCorrection	150
7.15.2	DefectPixelListEntryActive	150
7.15.3	DefectPixelListEntryPosX	151
7.15.4	DefectPixelListEntryPosY	151
7.15.5	DefectPixelListIndex	151
7.15.6	DefectPixelListSelector	151
7.15.7	LUTContent	152
7.15.8	LUTEnable	152
7.15.9	LUTIndex	152
7.15.10	LUTSelector	152
7.15.11	LUTValue	153
7.16	Category: MemoryManagement	153
7.16.1	MemoryFreeBlocks	153
7.16.2	MemoryMaxBlocks	154
7.17	Category: OpticControl (≥ Release 3 only)	154
7.17.1	FocallLength	154
7.17.2	FocusStepper	154
7.17.3	OpticControllerFirmwareVersion	155
7.17.4	OpticControllerInitialize	155
7.17.5	OpticControllerModelName	155
7.17.6	OpticControllerSelector	156
7.17.7	OpticControllerSerialNumber	156
7.17.8	OpticControllerStatus	156
7.17.9	OpticControllerTemperature	156
7.17.10	OpticControllerThermalCompensation	157
7.17.11	OpticControllerVendorName	157
7.18	Category: SequencerControl	158
7.18.1	SequencerConfigurationMode	159
7.18.2	SequencerFeatureEnable	159
7.18.3	SequencerFeatureSelector	160
7.18.4	SequencerMode	161
7.18.5	SequencerPathSelector	161
7.18.6	SequencerSetActive	161

7.18.7 SequencerSetLoad.....	162
7.18.8 SequencerSetNext.....	162
7.18.9 SequencerSetSave.....	162
7.18.10 SequencerSetSelector.....	162
7.18.11 SequencerSetStart.....	163
7.18.12 SequencerTriggerActivation.....	163
7.18.13 SequencerTriggerSource.....	164
7.19 Category: TransferControl.....	165
7.19.1 TransferStart.....	165
7.19.2 TransferStatus.....	165
7.19.3 TransferStatusSelector.....	165
7.19.4 TransferStop.....	166
7.20 Category: TransportLayerControl.....	166
7.20.1 EnergyEfficientEthernetEnable (≥ Release 2 only).....	166
7.20.2 Category: GigE Vision.....	167
7.20.2.1 GVSPConfigurationBlockID64Bit.....	167
7.20.2.2 GevCCP.....	167
7.20.2.3 GevCurrentDefaultGateway.....	167
7.20.2.4 GevCurrentIPAddress.....	167
7.20.2.5 GevCurrentIPConfigurationDHCP.....	168
7.20.2.6 GevCurrentIPConfigurationLLA.....	168
7.20.2.7 GevCurrentIPConfigurationPersistentIP.....	168
7.20.2.8 GevCurrentSubnetMask.....	169
7.20.2.9 GevFirstURL.....	169
7.20.2.10 GevGVCPEExtendedStatusCodes.....	169
7.20.2.11 GevGVCPEExtendedStatusCodesSelector.....	169
7.20.2.12 GevGVCPPendingAck.....	170
7.20.2.13 GevIPConfigurationStatus.....	170
7.20.2.14 GevInterfaceSelector.....	170
7.20.2.15 GevMACAddress.....	170
7.20.2.16 GevMCDA.....	171
7.20.2.17 GevMCPHostPort.....	171
7.20.2.18 GevMCRC.....	171
7.20.2.19 GevMCSP.....	171
7.20.2.20 GevMCTT.....	172
7.20.2.21 GevNumberOfInterfaces.....	172
7.20.2.22 GevPAUSEFrameReception.....	172
7.20.2.23 GevPersistentDefaultGateway.....	172
7.20.2.24 GevPersistentIPAddress.....	173
7.20.2.25 GevPersistentSubnetMask.....	173
7.20.2.26 GevPrimaryApplicationIPAddress.....	173
7.20.2.27 GevPrimaryApplicationSocket.....	173
7.20.2.28 GevPrimaryApplicationSwitchoverKey.....	174
7.20.2.29 GevSCDA.....	174
7.20.2.30 GevSCFTD.....	174
7.20.2.31 GevSCPD.....	174
7.20.2.32 GevSCPHostPort.....	175
7.20.2.33 GevSCPInterfaceIndex.....	175
7.20.2.34 GevSCPSDoNotFragment.....	175
7.20.2.35 GevSCPSFireTestPacket.....	175
7.20.2.36 GevSCPSPacketSize.....	176
7.20.2.37 GevSCSP.....	176
7.20.2.38 GevSecondURL.....	176
7.20.2.39 GevStreamChannelSelector.....	176
7.20.2.40 GevSupportedOption.....	177
7.20.2.41 GevSupportedOptionSelector.....	177
7.20.2.42 InterfaceSpeedMode.....	178
7.20.3 PayloadSize.....	178
7.20.4 Category: TransportLayerControl → PtpControl (≥ Release 2 only).....	179
7.20.4.1 PtpClockAccuracy.....	181
7.20.4.2 PtpClockID.....	181
7.20.4.3 PtpDataSetLatch.....	181
7.20.4.4 PtpEnable.....	182

7.20.4.5 PtpGrandmasterClockID .....	182
7.20.4.6 PtpMode.....	182
7.20.4.7 PtpOffsetFromMaster.....	183
7.20.4.8 PtpParentClockID .....	183
7.20.4.9 PtpServoStatus .....	183
7.20.4.10 PtpServoStatusThreshold .....	184
7.20.4.11 PtpStatus.....	184
7.20.4.12 PtpSyncMessageInterval (≥ Release 3 only).....	184
7.20.4.13 PtpSyncMessageIntervalStatus (≥ Release 3 only).....	185
7.21 Category: UserSetControl .....	185
7.21.1 UserSetDefault .....	185
7.21.2 UserSetFeatureEnable .....	186
7.21.3 UserSetFeatureSelector .....	186
7.21.4 UserSetLoad .....	187
7.21.5 UserSetSave .....	187
7.21.6 UserSetSelector .....	188
<b>8. Interface Functionalities .....</b>	<b>189</b>
8.1 Device Information .....	189
8.2 Packet Size and Maximum Transmission Unit (MTU).....	189
8.3 Inter Packet Gap (IPG) .....	190
8.3.1 Example 1: Multi Camera Operation – Minimal IPG.....	190
8.3.2 Example 2: Multi Camera Operation – Optimal IPG.....	191
8.4 Frame Delay .....	192
8.4.1 Time Saving in Multi-Camera Operation .....	192
8.4.2 Configuration Example .....	193
8.5 Multicast.....	195
8.6 IP Configuration .....	196
8.6.1 Persistent IP .....	196
8.6.2 DHCP (Dynamic Host Configuration Protocol).....	196
8.6.3 LLA.....	197
8.6.4 Force IP .....	197
8.7 Packet Resend.....	198
8.7.1 Normal Case.....	198
8.7.2 Fault 1: Lost Packet within Data Stream .....	198
8.7.3 Fault 2: Lost Packet at the End of the Data Stream .....	199
8.7.4 Termination Conditions .....	199



# 1. General Information

Thanks for purchasing a camera of the Baumer family. This User's Guide describes how to connect, set up and use the camera.



Read this manual carefully and observe the notes and safety instructions!

## Support

In case of any questions please contact our Technical & Application Support Center.

Worldwide: **Baumer Optronic GmbH**  
Badstrasse 30  
DE-01454 Radeberg, Germany

Tel: +49 (0)3528 4386 845

Website: [www.baumer.com](http://www.baumer.com)

E-mail: [support.cameras@baumer.com](mailto:support.cameras@baumer.com)

## Target group for this User's Guide

This User's Guide is aimed at experienced users, which want to integrate camera(s) into a vision system.

## Intended Use

The camera is used to capture images that can be transferred to a PC.

It has a compact housing suitable for industrial use and are designed exclusively for indoor use. The use in wet locations is permissible under consideration of the IP protection class.



### Notice

Use the camera only for its intended purpose!

For any use that is not described in the technical documentation poses dangers and will void the warranty. The risk has to be borne solely by the unit's owner.

## Classification of the safety instructions

In the User's Guide, the safety instructions are classified as follows:

<b>Notice</b>	
	Gives helpful notes on operation or other general recommendations.
<b>Caution</b>	
	Indicates a possibly dangerous situation. If the situation is not avoided, slight or minor injury could result or the device may be damaged.
<b>Danger!</b>	
	Indicates an immediate imminent danger. If the danger is not avoided, the consequences are death or very serious injury.

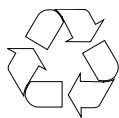
## Disposal



Dispose of outdated products with electrical or electronic circuits, not in the normal domestic waste, but rather according to your national law and the directives 2002/96/EC and 2006/66/EC for recycling within the competent collectors.



Through the proper disposal of obsolete equipment will help to save valuable resources and prevent possible adverse effects on human health and the environment.



The return of the packaging to the material cycle helps conserve raw materials and reduces the production of waste. When no longer required, dispose of the packaging materials in accordance with the local regulations in force.

Keep the original packaging during the warranty period in order to be able to pack the device properly in the event of a warranty claim.

## Warranty Notes

If it is obvious that the device is / was dismantled, reworked or repaired by other than Baumer technicians, Baumer Optronic will not take any responsibility for the subsequent performance and quality of the device!

## Copyright

Any duplication or reprinting of this documentation, in whole or in part, and the reproduction of the illustrations even in modified form is permitted only with the written approval of Baumer. The information in this document is subject to change without notice.

## 1.1 Software Licensing Information

The software in the camera includes the LWIP TCP/IP implementation. The copyright information for this implementation is as follows:

Copyright (c) 2001, 2002 Swedish Institute of Computer Science. All rights reserved.

Redistribution and use in source and binary forms, with or without modification, are permitted provided that the following conditions are met:

1. Redistributions of source code must retain the above copyright notice, this list of conditions and the following disclaimer.
2. Redistributions in binary form must reproduce the above copyright notice, this list of conditions and the following disclaimer in the documentation and/or other materials provided with the distribution.
3. The name of the author may not be used to endorse or promote products derived from this software without specific prior written permission.

THIS SOFTWARE IS PROVIDED BY THE AUTHOR "AS IS" AND ANY EXPRESS OR IMPLIED WARRANTIES, INCLUDING, BUT NOT LIMITED TO, THE IMPLIED WARRANTIES OF MERCHANTABILITY AND FITNESS FOR A PARTICULAR PURPOSE ARE DISCLAIMED.

IN NO EVENT SHALL THE AUTHOR BE LIABLE FOR ANY DIRECT, INDIRECT, INCIDENTAL, SPECIAL, EXEMPLARY, OR CONSEQUENTIAL DAMAGES (INCLUDING, BUT NOT LIMITED TO, PROCUREMENT OF SUBSTITUTE GOODS OR SERVICES; LOSS OF USE, DATA, OR PROFITS; OR BUSINESS INTERRUPTION) HOWEVER CAUSED AND ON ANY THEORY OF LIABILITY, WHETHER IN CONTRACT, STRICT LIABILITY, OR TORT (INCLUDING NEGLIGENCE OR OTHERWISE) ARISING IN ANY WAY OUT OF THE USE OF THIS SOFTWARE, EVEN IF ADVISED OF THE POSSIBILITY OF SUCH DAMAGE.

The software in the camera includes the ptpd implementation. The copyright information for this implementation is as follows:

Copyright (c) 2015	Wojciech Owczarek.
Copyright (c) 2014	Perseus Telecom.
Copyright (c) 2013-2014	Harlan Stenn, George N. Neville-Neil, Wojciech Owczarek, Jan Breuer.
Copyright (c) 2011-2012	George V. Neville-Neil, Steven Kreuzer, Martin Burnicki, Jan Breuer, Wojciech Owczarek, Gael Mace, Alexandre Van Kempen, Inaqui Delgado, Rick Ratzel, National Instruments.

Copyright (c) 2009-2010

George V. Neville-Neil,  
Steven Kreuzer,  
Martin Burnicki,  
Jan Breuer,  
Gael Mace,  
Alexandre Van Kempen.

Copyright (c) 2005-2008

Kendall Correll, Aidan Williams

All Rights Reserved

Redistribution and use in source and binary forms, with or without modification, are permitted provided that the following conditions are met:

1. Redistributions of source code must retain the above copyright notice this list of conditions and the following disclaimer.
2. Redistributions in binary form must reproduce the above copyright notice, this list of conditions and the following disclaimer in the documentation and/or other materials provided with the distribution.

THIS SOFTWARE IS PROVIDED BY THE AUTHORS "AS IS" AND ANY EXPRESS OR IMPLIED WARRANTIES, INCLUDING, BUT NOT LIMITED TO, THE IMPLIED WARRANTIES OF MERCHANTABILITY AND FITNESS FOR A PARTICULAR PURPOSE ARE DISCLAIMED. IN NO EVENT SHALL THE AUTHORS OR CONTRIBUTORS BE LIABLE FOR ANY DIRECT, INDIRECT, INCIDENTAL, SPECIAL, EXEMPLARY, OR CONSEQUENTIAL DAMAGES (INCLUDING, BUT NOT LIMITED TO, PROCUREMENT OF SUBSTITUTE GOODS OR SERVICES; LOSS OF USE, DATA, OR PROFITS; OR BUSINESS INTERRUPTION) HOWEVER CAUSED AND ON ANY THEORY OF LIABILITY, WHETHER IN CONTRACT, STRICT LIABILITY, OR TORT (INCLUDING NEGLIGENCE OR OTHERWISE) ARISING IN ANY WAY OUT OF THE USE OF THIS SOFTWARE, EVEN IF ADVISED OF THE POSSIBILITY OF SUCH DAMAGE.

## 2. General safety Instructions

### Caution

Heat can damage the camera. Provide adequate dissipation of heat, to ensure that the temperature does not exceed the value (see Heat Transmission).



As there are numerous possibilities for installation, Baumer recommends no specific method for proper heat dissipation, but suggest the following principle:

- operate the cameras only in mounted condition with free air circulation
- mounting in combination with forced convection may provide proper heat dissipation

[see chapter „4.2 Ambient Temperature / Heat Transmission“ on page 21](#)

### Caution



Observe precautions for handling electrostatic sensitive devices!

### 3. Camera Models

All Baumer cameras of these family are characterized by:

- |                     |   |
|---------------------|---|
| High image quality  | <ul style="list-style-type: none"> <li>▪ Global shutter architecture for minimized motion blur</li> <li>▪ Image data buffer for reliable image transmission</li> </ul>  |
| Fast image transfer | <ul style="list-style-type: none"> <li>▪ 10 Gigabit Ethernet</li> <li>▪ Reliable transmission up to 10000 Mbit/s</li> </ul>   |
| Perfect integration | <ul style="list-style-type: none"> <li>▪ Flexible generic programming interface (Baumer GAPI) for all Baumer cameras</li> <li>▪ Powerful Software Development Kit (SDK) with sample codes and help files for simple integration</li> <li>▪ Baumer Camera Explorer (Baumer GAPI Test Tool) for testing all camera functions</li> <li>▪ GenICam™ compliant XML file to describe the camera functions</li> <li>▪ Camera parameter programmable in real-time</li> </ul> |

- |                    |  |
|--------------------|--|
| Reliable operation | <ul style="list-style-type: none"> <li>▪ State-of-the-art camera electronics and precision mechanics</li> <li>▪ Image data buffer for reliable image transmission</li> <li>▪ Very robust M12 connectors</li> </ul> |
|--------------------|--|

- |                     |  |
|---------------------|--|
| Supported standards | <ul style="list-style-type: none"> <li>▪ GigE Vision® 2.0.0</li> <li>▪ GenICam SFNC 2.3.0 / SFNC 2.4.0 (≥ Rel. 2 only)</li> <li>▪ IEEE 1588™-2008 (≥ Rel. 2 only)</li> </ul> |
|---------------------|--|

Conformity	CE	We declare, under our sole responsibility, that the previously described Baumer cameras conform with the directives of the CE.
------------	----	--



RoHS	All Baumer cameras comply with the recommendation of the European Union concerning RoHS rules.
------	--



UL	The camera has been tested by UL (Underwriters Laboratories) and complies with the requirements of the standards:
----	---

- UL 61010-1 Edition 3 - Revision Date: 2016/04/29
- UL 61010-2-201 Edition 2 - Published: 2018/05/14
- CSA C22.2 NO. 61010-1-12 Edition 3 - Update No. 2: 2016/04
- CSA C22.2 NO. 61010-2-201:18 Edition 2 - Published: 2018/02



UR	The camera has been tested by UL (Underwriters Laboratories) and complies with the requirements under <b>specified installation conditions</b> of the standards:
----	--

- UL 61010-1 Edition 3 - Revision Date: 2016/04/29
- UL 61010-2-201 Edition 2 - Published: 2018/05/14
- CSA C22.2 NO. 61010-1-12 Edition 3 - Update No. 2: 2016/04
- CSA C22.2 NO. 61010-2-201:18 Edition 2 - Published: 2018/02



KC	Several of the described Baumer cameras conform with the directives of the Korean Conformity.
----	---



(see table on next page)

## Korean Conformity (Registration of Broadcasting and Communication Equipments)

Product	Article No.	Registration No.	Date of Registration
<b>Monochrome</b>			
VLXT-50M.I	11192927	R-R-BkR-VLXT-90MI	2020-10-23
VLXT-90M.I	11192926	R-R-BkR-VLXT-90MI	2020-10-23
VLXT-123M.I	11192208	R-R-BkR-VLXT-90MI	2020-10-23
<b>Color</b>			
VLXT-31C.I	11194257	R-R-BkR-VLXT-90MI	2020-10-23
VLXT-50C.I	11194256	R-R-BkR-VLXT-90MI	2020-10-23
VLXT-90C.I	11194280	R-R-BkR-VLXT-90MI	2020-10-23
VLXT-123C.I	11194269	R-R-BkR-VLXT-90MI	2020-10-23

## Release Version

### Notice

#### Identification of Release version

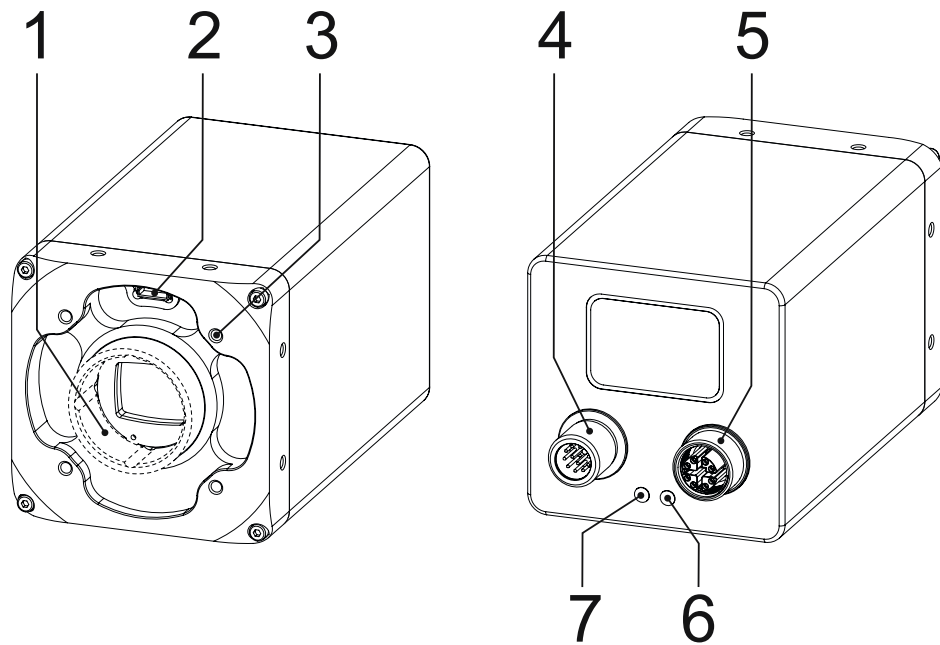
- Label on camera
- Baumer GAPI Camera Explorer / Category: *Device Control* → Feature: *Device Version*

## Release Version .JP Cameras ↔ Release Version Standard Cameras

The release versions for .JP cameras are counted separately. However, the range of functions partly corresponds to the standard cameras, except for the special JP features. A comparison of the release versions is shown in the following table.

Release Version .JP Cameras	Release Version Standard
Release 1.0.0	Release 2.0.2
Release 1.1.0	Release 3.1.1

### 3.1 VLXT.I (.JP) (10GBASE-T)



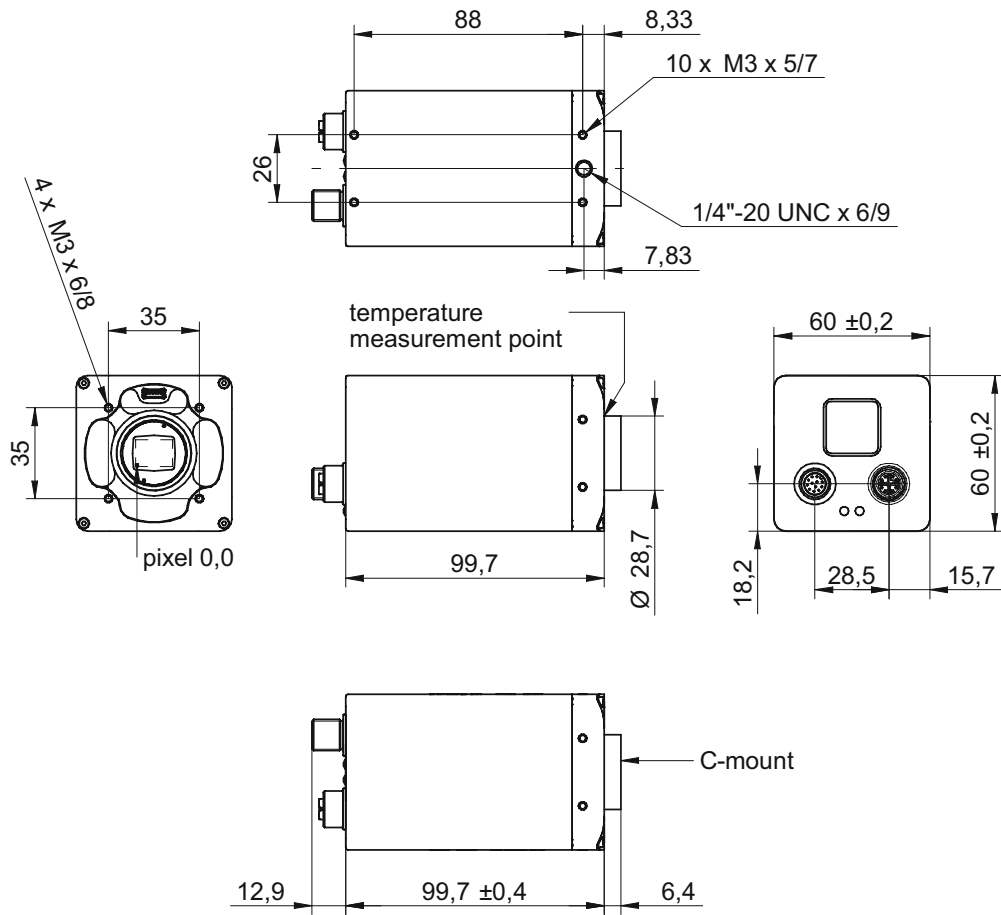
No.	Description	No.	Description
1	Lens mount (C- / M58- / TFL-mount)	5	Ethernet Port
2	Lens control (≥ Release 3 only)	6	Camera LED
3	4 x Tube Adapter / front mounting threads (except M58 mount)	7	GigE LED
4	Power- and process interface		

Camera Type	Sensor Size	Resolution	Full Frames <sup>1)</sup> [max. fps]
<b>Monochrome</b>			
VLXT-06M.I (.JP)	1/1.7"	800 × 620	1578   1578
VLXT-17M.I	1.1"	1600 × 1100	660   660
VLXT-28M.I (.JP)	2/3"	1920 × 1464	415   411
VLXT-31M.I	1/1.8"	2048 × 1536	217   217
VLXT-50M.I	2/3"	2448 × 2048	164   164
VLXT-71M.I	1.1"	3200 × 2200	174   174
VLXT-90M.I (.JP)	1"	4096 × 2160	95   95
VLXT-123M.I	1.1"	4096 × 3000	69   69
VLXT-240M.I	1.2"	5312 × 4600	62   50
VLXT-650M.I	2.3"	9344 × 7000	23   18
<b>Color</b>			
VLXT-06C.I.JP	1/1.7"	800 × 620	1578   1578
VLXT-31C.I (.JP)	1/1.8"	2048 × 1536	215   215
VLXT-50C.I	2/3"	2448 × 2048	163   163
VLXT-71C.I	1.1"	3200 × 2200	174   174
VLXT-90C.I	1"	4096 × 2160	95   95
VLXT-123C.I	1.1"	4096 × 3000	69   69
VLXT-240C.I	1.2"	5312 × 4600	62   50
VLXT-650C.I	2.3"	9344 × 7000	23   18

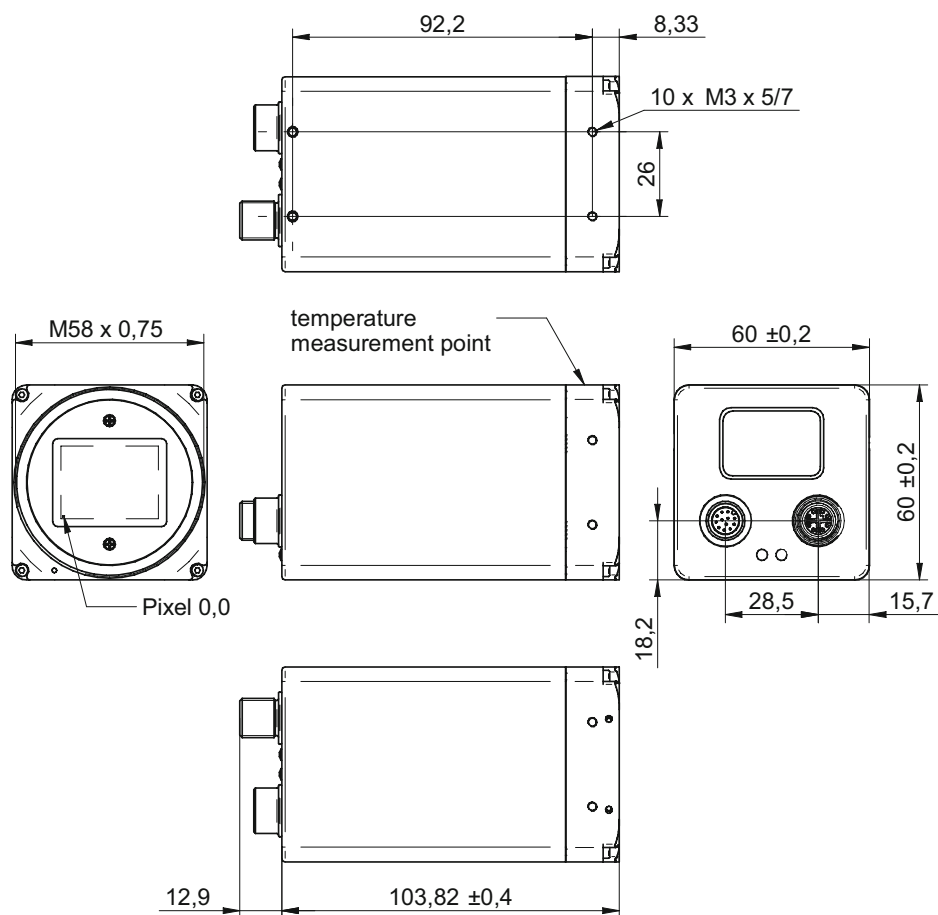
<sup>1)</sup> image acquisition in the camera's internal memory | interface (10 GigE)



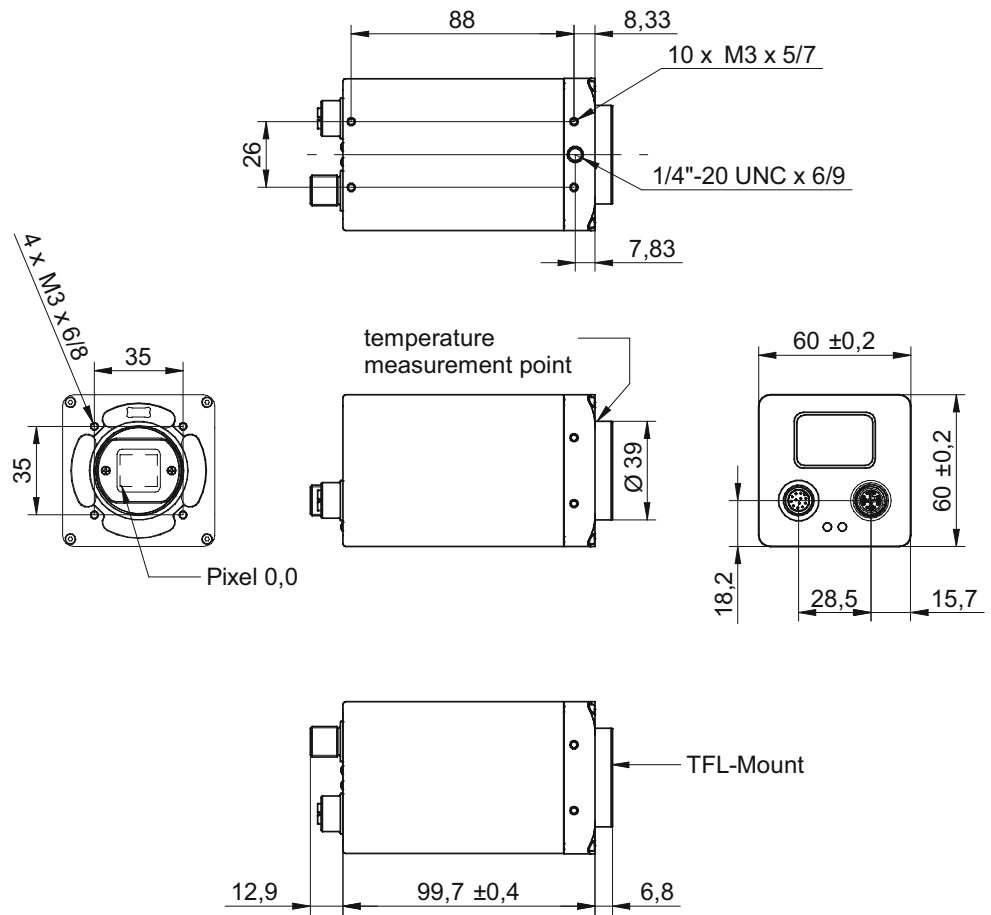
### Dimensions (C-mount)



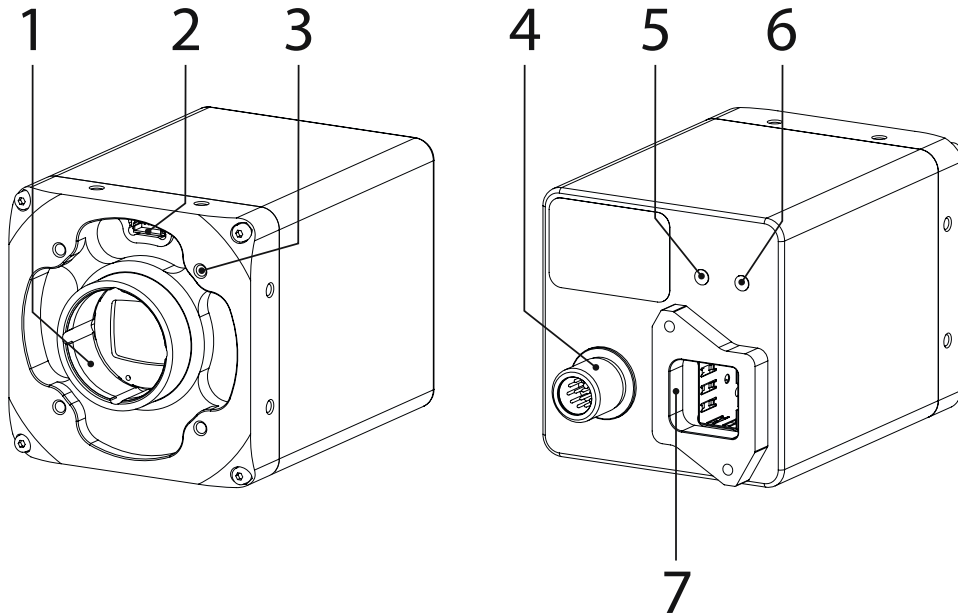
### Dimensions (M58-mount)



### Dimensions (TFL-mount)



### 3.2 VLXT.FO (10GBASE-SR/LR)

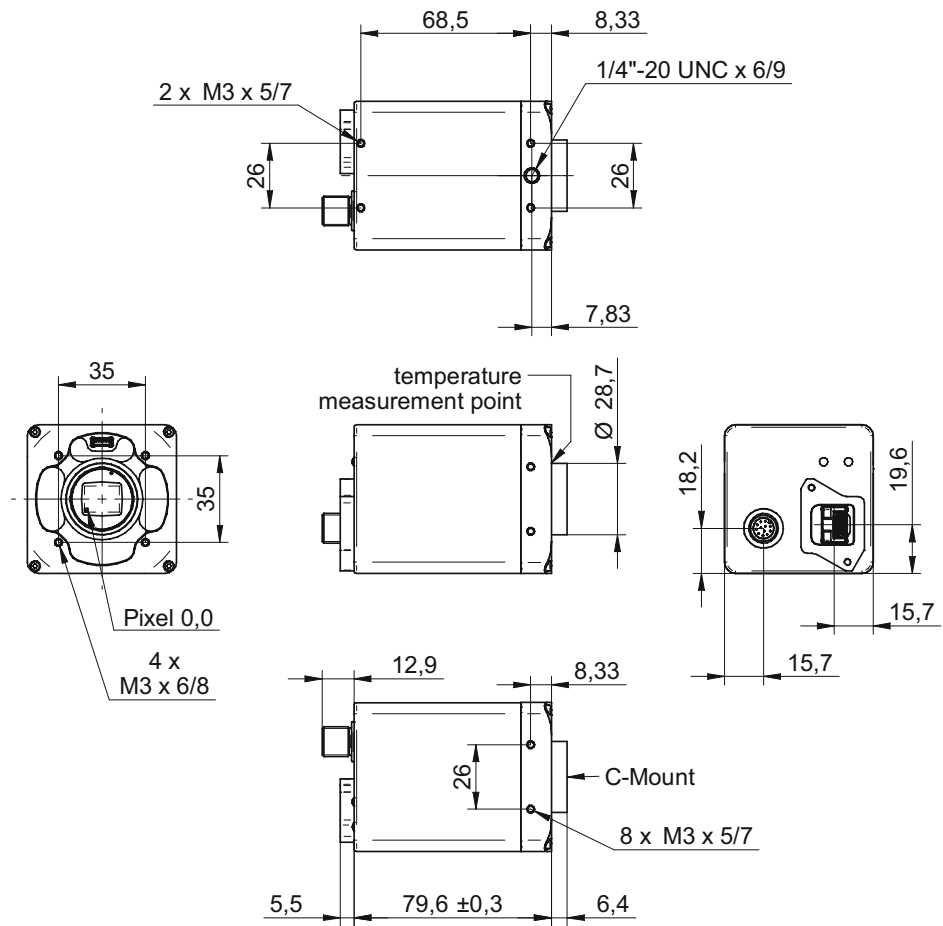


No.	Description	No.	Description
1	Lens mount (C-mount)	5	GigE LED
2	Lens control (≥ Release 3 only)	6	Camera LED
3	4 x Tube Adapter / front mounting threads	7	SFP+ Socket
4	Power- and process interface		

Camera Type	Sensor Size	Resolution	Full Frames <sup>1)</sup> [max. fps]
<b>Monochrome</b>			
VLXT-31M.FO	1/1.8"	2048 × 1536	217   217
VLXT-50M.FO	2/3"	2448 × 2048	163   163
VLXT-90M.FO	1"	4096 × 2160	95   95
VLXT-123M.FO	1.1"	4096 × 3000	69   69
<b>Color</b>			
VLXT-50C.FO	2/3"	2448 × 2048	163   163

<sup>1)</sup> image acquisition in the camera's internal memory | interface (10 GigE)

## Dimensions



## 4. Installation



### Caution



The installer of the system is responsible for the safety of the system in which the camera is integrated.

### 4.1 Environmental Requirements

Storage  
temperature

-10 °C (+14 °F) ... +70 °C (+158 °F)

Humidity

10 % ... 90 % non condensing

### 4.2 Ambient Temperature / Heat Transmission



### Caution

Heat can damage the camera. Ambient temperature above 25 °C (77 °F) requires heat dissipation measures. Provide adequate dissipation of heat, to ensure that the temperatures does not exceed the specified values.

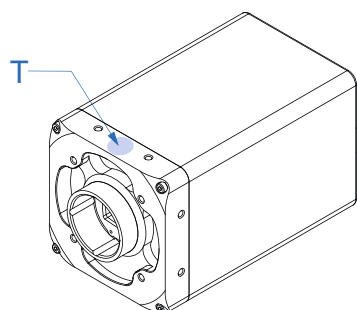
Baumer recommends the following methods for proper heat dissipation:

- Every form of convection around the device and mounting helps reduce temperature. Prevent heat from becoming trapped!
- Mounting in combination with forced convection may provide proper heat dissipation.
- Avoid mounting onto stainless steel. Stainless steel has a roughly 10-fold lower thermal conductivity compared to aluminium.
- Do not install the device at the end of a profile; this will allow heat to dissipate on both sides (higher temperature drops over a larger area)!
- Do not operate other devices in close proximity to the camera. Their waste heat could additionally heat the camera.
- From an ambient temperature of +30 °C (86 °F) up to +40 °C (104 °F) the camera requires forced air cooling (min. 0.9 m/s).

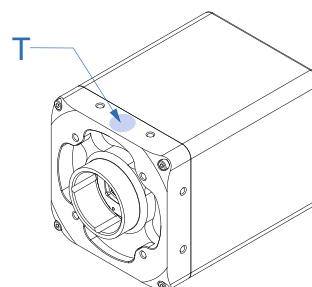


## Max. Temperature Measure Point

Refer to the following tables for the maximum permissible temperature at the temperature measurement point.



VLXT.I (.JP)



VLXT.FO

### VLXT.I (.JP)

Camera Type	max. Temperature (T = Measurement Point)
<b>Monochrome</b>	
VLXT-06M.I / (.JP)	60 °C (140 °F) / 62 °C (143.6 °F)
VLXT-17M.I	60 °C (140 °F)
VLXT-28M.I (.JP)	60 °C (140 °F) / 62 °C (143.6 °F)
VLXT-31M.I	65 °C (149 °F)
VLXT-50M.I	65 °C (149 °F)
VLXT-71M.I	60 °C (140 °F)
VLXT-90M.I / (.JP)	65 °C (149 °F) / 65 °C (149 °F)
VLXT-123M.I	65 °C (149 °F)
VLXT-240M.I	60 °C (140 °F)
VLXT-650M.I	60 °C (140 °F)
<b>Color</b>	
VLXT-06C.I.JP	tbd
VLXT-31C.I (.JP)	65 °C (149 °F) / 65 °C (149 °F)
VLXT-50C.I	65 °C (149 °F)
VLXT-71C.I	60 °C (140 °F)
VLXT-90C.I	65 °C (149 °F)
VLXT-123C.I	65 °C (149 °F)
VLXT-240C.I	60 °C (140 °F)
VLXT-650C.I	60 °C (140 °F)

### VLXT.FO

Camera Type	max. Temperature (T = Measurement Point)
<b>Monochrome</b>	
VLXT-31M.FO	65 °C (149 °F)
VLXT-50M.FO	65 °C (149 °F)
VLXT-90M.FO	65 °C (149 °F)
VLXT-123M.FO	65 °C (149 °F)
<b>Color</b>	
VLXT-50C.FO	65 °C (149 °F)

## 4.2.1 Emergency shutdown at Overtemperature

To prevent damage on the hardware due to high temperatures, the camera is equipped with an emergency shutdown. The *DeviceTemperatureStatusTransitionSelector* (Category: *Device Control*) feature allows you to select different thresholds for temperatures:

*NormalToHigh*: freely programmable value

*HighToExceeded*: fixed value (image recording is stopped if exceeded)

*ExceededToNormal*: freely programmable value, temperature for error-free re-activation of the camera.

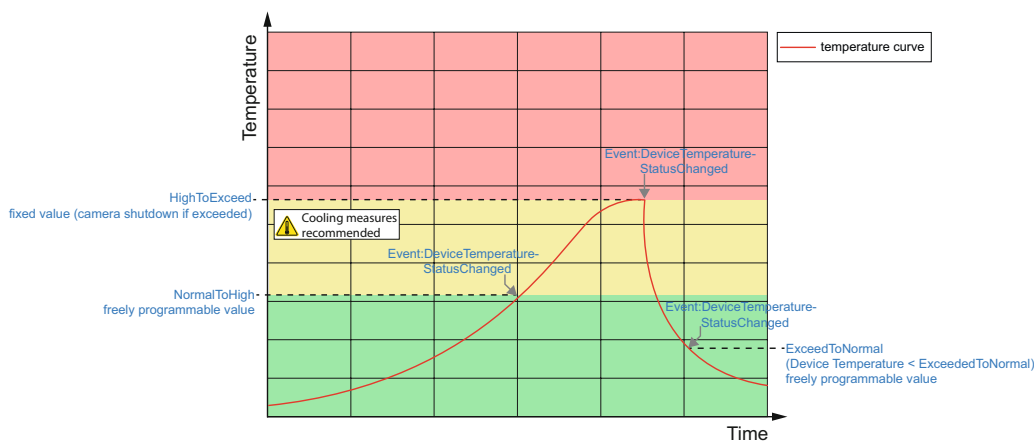
In the *DeviceTemperatureStatusTransition* feature, the temperatures for the programmable temperature transitions are set.

The Event *EventDeviceTemperatureStatusChanged* is always generated when *DeviceTemperatureStatus* changes.

If the temperature rises above the value set at *HighToExceed*, the *DeviceTemperatureExceeded* feature is set to *True*, the image recording is stopped, and the LED is set to orange.

For further use, the camera must be disconnected from the power supply after cooling down or a device reset should be carried out.

The sufficient cooling is recognizable when the event *EventDeviceTemperatureStatusChanged* (Device Temperature < *ExceededToNormal*) is output.



## Temperatures for emergency shutdown

When the temperature measurement at the internal temperature sensor gives a temperature exceeding the specified values in the following tables, the *DeviceTemperatureExceeded* feature is set to *True*, the image recording is stopped, and the Camera LED is set to orange.

### VLXT.I (.JP)

Camera Type	Temperatures for emergency shutdown (at internal temperature sensor)
<b>Monochrome</b>	
VLXT-06M.I / (.JP)	69 °C (156.2 °F)
VLXT-17M.I	69 °C (156.2 °F)
VLXT-28M.I (.JP)	69 °C (156.2 °F)
VLXT-31M.I	71 °C (159.8 °F)
VLXT-50M.I	71 °C (159.8 °F)
VLXT-71M.I	69 °C (156.2 °F)
VLXT-90M.I / (.JP)	71 °C (159.8 °F)
VLXT-123M.I	71 °C (159.8 °F)
VLXT-240M.I	69 °C (156.2 °F)
VLXT-650M.I	69 °C (156.2 °F)
<b>Color</b>	
VLXT-06C.I.JP	69 °C (156.2 °F)
VLXT-31C.I (.JP)	71 °C (159.8 °F)
VLXT-50C.I	71 °C (159.8 °F)
VLXT-71C.I	69 °C (156.2 °F)
VLXT-90C.I	71 °C (159.8 °F)
VLXT-123C.I	71 °C (159.8 °F)
VLXT-240C.I	69 °C (156.2 °F)
VLXT-650C.I	65 °C (149 °F)

### VLXT.FO

Camera Type	Temperatures for emergency shutdown (at internal temperature sensor)
<b>Monochrome</b>	
VLXT-31M.FO	71 °C (159.8 °F)
VLXT-50M.FO	71 °C (159.8 °F)
VLXT-90M.FO	71 °C (159.8 °F)
VLXT-123M.FO	71 °C (159.8 °F)
<b>Color</b>	
VLXT-50C.FO	71 °C (159.8 °F)



### 4.3 Mechanical Tests

Environmental Testing	Standard	Parameter	
Vibration, sinussoidal	IEC 60068-2-6	Continuous oscillation	10-2000 Hz
		Amplitude underneath cross-over frequencies	0,75 mm
		Acceleration	1 g
		Test duration	150 min (axis) 450 min (total)
Vibration, broad band	IEC 60068-2-64	Frequency range	10-2000 Hz
		Acceleration	10 g
		Test duration	5 h (axis) 15 h (total)
Shock	IEC 60068-2-27	Pulse time	11 ms / 6 ms
		Acceleration	50 g / 100 g
Bump	IEC60068-2-29	Pulse Time	2 ms
		Acceleration	100 g

### 4.4 Lens mounting

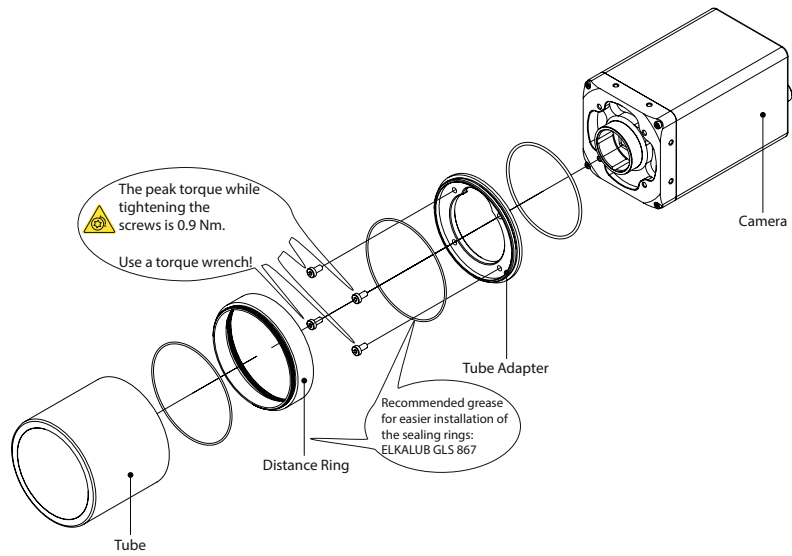
#### Notice

Avoid contamination of the sensor and the lens by dust and airborne particles when mounting the lens to the device!

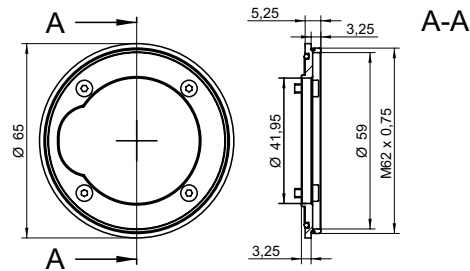
Therefore the following points are very important:

- Install the camera in an environment that is as dust free as possible!
- Keep the dust cover (bag) on camera as long as possible!
- Hold the camera downwards with unprotected sensor.
- Avoid contact with any optical surface of the camera!

## 4.5 Modular tube system (ordered separately)

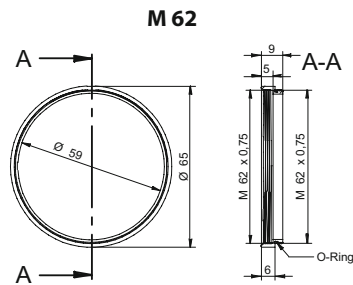


### Tube Adapter (C- / M58-mount)

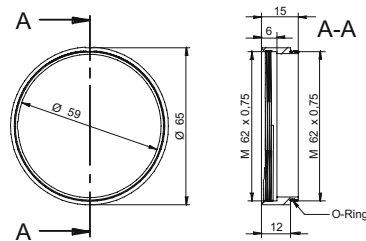


Art. No.: 11193125

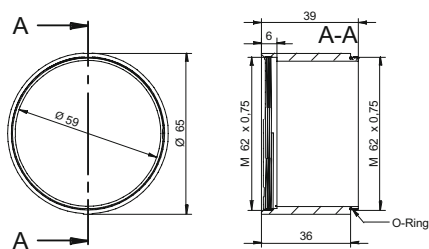
### Distance Ring



Art. No.: 11185376

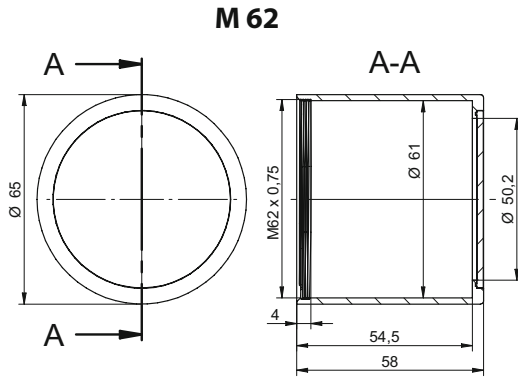


Art. No.: 11185375



Art. No.: 11198906

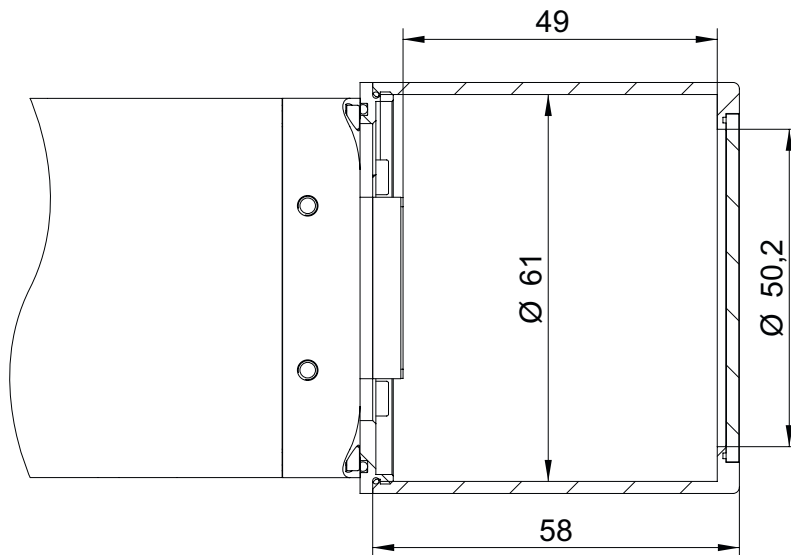
## Tube



Art. No.: 11185374 (Cover glass: Acryl)

Art. No.: 11195426 (Cover glass: resistant laminated safety cover glass)

## Inner dimensions of the Tube



## 4.6 IP Protection classes

The devices continue working in an industrial environment to meet the requirements of various protection classes.

The IP Protection class was not evaluated by UL.

<b>IP40</b>	with mounted lens and 10 GigE cable
<b>IP67</b>	with mounted tube and cable

### Notice

#### Definition IP67

IP67 stands for dust tightness besides the protection against submersion into 1 meter deep water for up to 30 minutes. The desired protection level is given as long as the difference in temperature between camera and water is less than 5 K and the water has a temperature of 15 °C (+ 59 °F) ... 35 °C (+ 95 °F).

### ⚠ Caution

In order to achieve the mentioned IP protection level, please note the following information:

- The tube needs to be screwed on gap-free as shown in the figure on the next page.
- The M12 connectors need to be tightened with a torque value of 0.4 Nm. For that Baumer suggests the use of a torque driver (such as Wiha TorqueVario®-S ESD) in combination with a wrench for assembling sensor/actuator cables with M12 connector (such as Phoenix Contact SAC BIT M12-D15).
- Use a cable that also meets the required IP protection class.

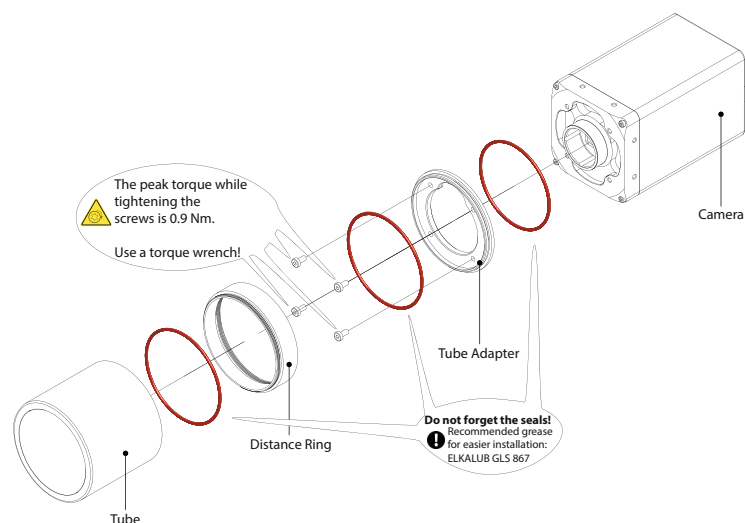


#### **VLXT.FO only**

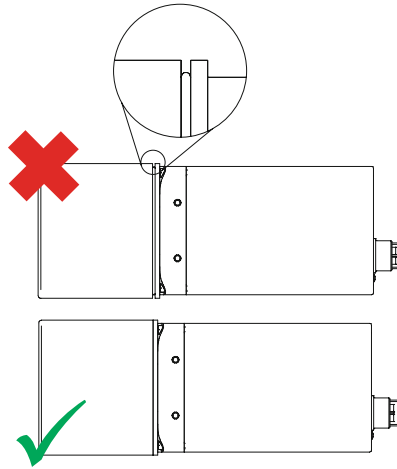
On the SFP+ socket, a Harting Adapter and a corresponding cable must be used.

- Harting Adapter: PushPull SFP XS Receptable short, LC Dup (without screws) (item no.: 09574110501200)
- Compatible cable: PP SFP XS Assy, XSsh-LCdx 50/125 (item no.: 33262310200018)

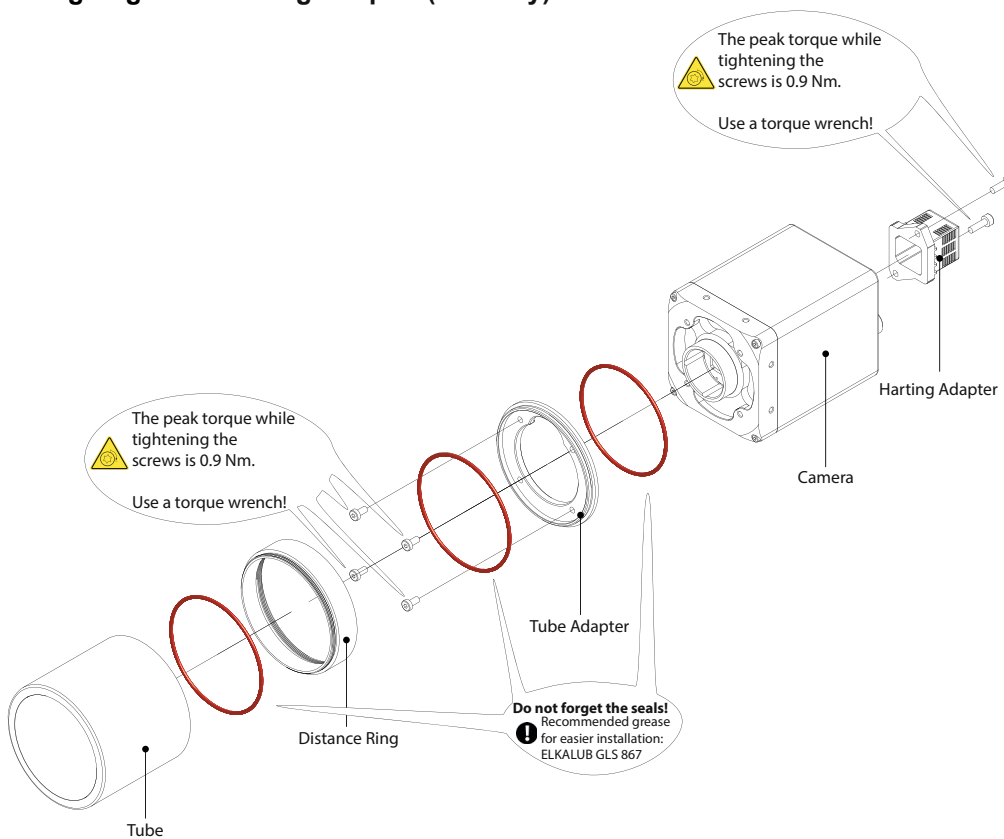
## Sealing rings



## Gap-free assembly



## Sealing rings and Harting Adapter (.FO only)



## 4.7 Cables

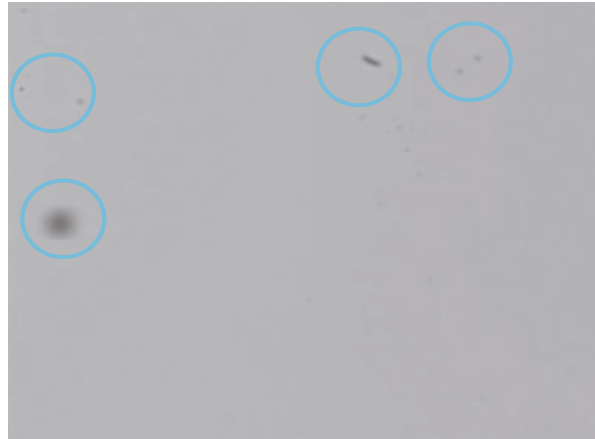
For UL conform installations the cables used must meet the following requirements:

- shielding for optimum electrical noise immunity
- IP67 protection
- UL approval
- dielectric strength according to the operating voltages used
- temperature stability in the specified device temperature range
- minimum cross section of cable suitable for max. output current

## 4.8 Cleaning

Avoid cleaning if possible. To prevent dust build-ups, follow the instructions under *Installation*.

The device requires cleaning if the recorded images resemble the following example. In order to test the camera, capture a homogenous image (test target could be a white sheet of paper).



### Filter / Cover glass



#### Caution!



Use of compressed air during cleaning.  
Compressed air may force dust into the camera.  
Never use compressed air to clean the filter / cover glass!

Use a soft, lint free cloth dampened with a small amount of pure methanol to clean the filter glass.

### Housing



#### Caution!



Use of volatile solvents for cleaning.  
Volatile solvents can damage the surface of the camera.  
Never use volatile solvents (benzene, thinner) for cleaning!

Use a soft, dry cloth to clean the surface of the camera housing. To remove persistent stains, use a soft cloth dampened with a small quantity of neutral detergent, then wipe dry.

## 5. Pin Assignment / LED-Signaling

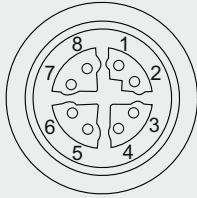
### 5.1 VLXT.I / .JP (10GBASE-T)

#### 5.1.1 Data Interface

##### Notice

You can also operate the camera on a slower data interface than 10GigE. This reduces the performance.

#### Ethernet (SACC-CI-M12FS-8CON-L180-10G)



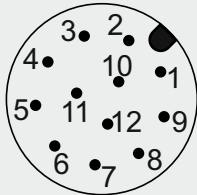
1	MX1+	5	MX4+
2	MX1-	6	MX4-
3	MX2+	7	MX3-
4	MX2-	8	MX3+

##### Notice

The unit is to be connected only to internal Ethernet networks without exiting a facility and being subjected to Telecom Network Voltages (TNVs).

#### 5.1.2 Power and Process Interface

#### Power supply / Digital-IO (SACC-CI-M12MS-12CON-L180) wire colors of the connecting cable\* (ordered separately)




1	Power Vcc	brown	7	OUT3 (Line6)	black
2	GND (Power)	blue	8	RS232 TxD (Line2)	grey
3	IN1 (Line0)	white	9	OUT4 (Line7)	red
4	OUT1 (Line4)	green	10	RS232 RxD (Line3)	violet
5	IN2 (Line1)	pink	11	GND (IO)	grey-pink
6	OUT2 (Line5)	yellow	12	Power (IO)	red-blue

\* shielded cable needs to be used

## Power Supply

Class 2 per NEC / Protection Class III

The device is intended to be supplied from an isolated Limited Energy Source per UL61010-1, 3rd ed cl. 9.4 or Limited Power Source per UL60950-1 or Class 2 per NEC.

<b>⚠ Danger!</b>	
	<b>Use in wet environments requiring IP67 protection</b>
	Risk of electric shock. Electric shock can be fatal or cause serious injury.
	Use is only permitted under consideration of pollution degree 2 and overvoltage category 2.
	The M12 connectors must comply with the IEC 61076-2-101 standard.
The dielectric strength and withstand voltage for the plug/socket combination must be checked according to DIN EN 60664-1:2008-01 for 60 V.	

Power  $V_{CC}$                       24 V  $\pm$  20 % (Power consumption: max.15.5 W)

Power (IO)	For UL conform installations: 24 V ( $\pm$ 20 %) For not UL conform installations: 12 V (- 20 %) ... 48 V (+ 10 %)
------------	---

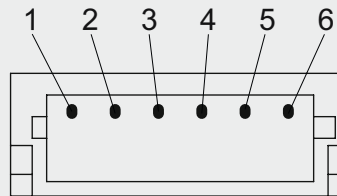
### 5.1.3 Lens Control ( $\geq$ Release 3 only)

#### Notice

Please observe the instructions and notes in the technical documentation of the respective lens!

#### Lens Control Interface

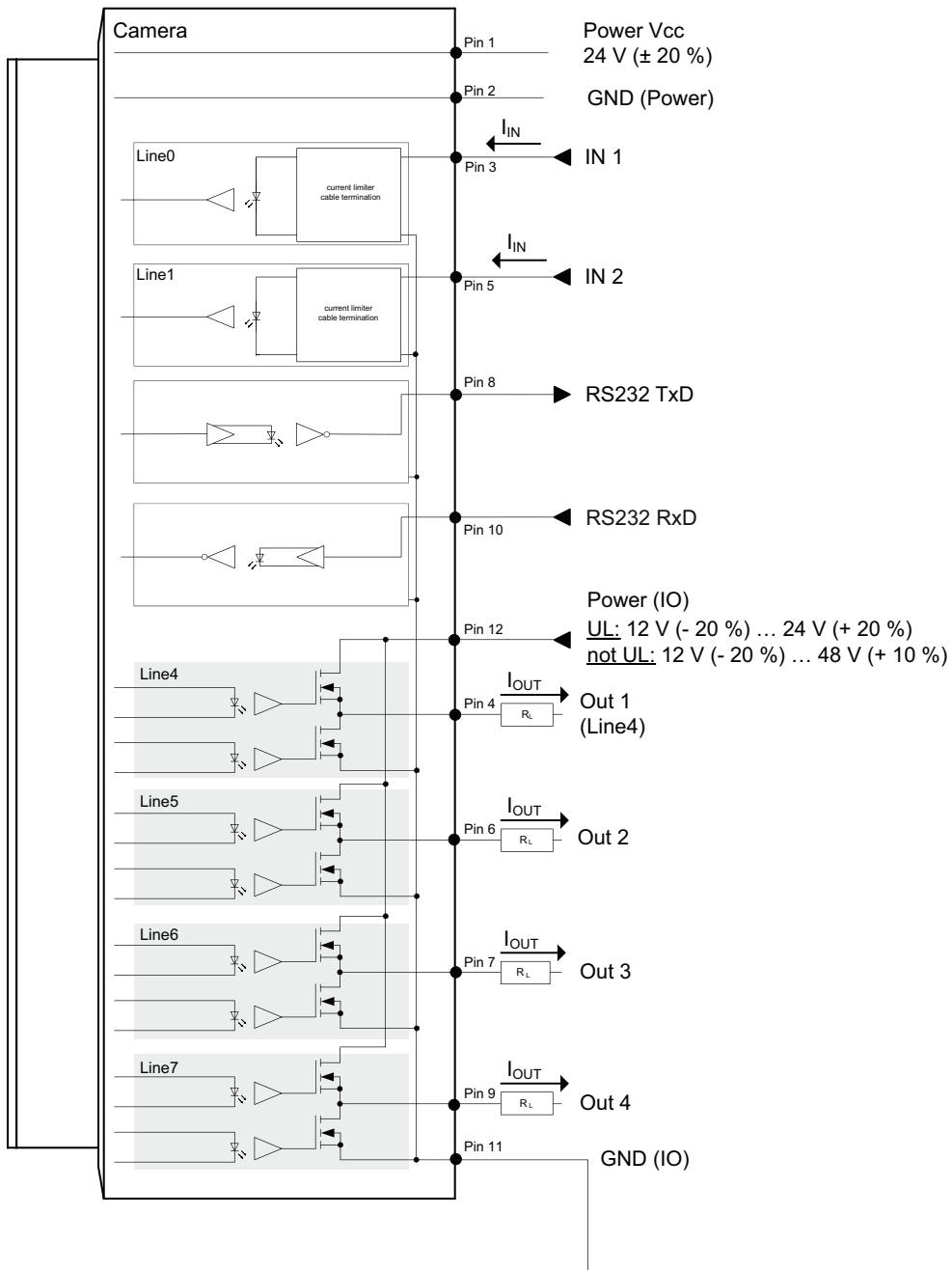
(JST BM06B-SRSS-TB)



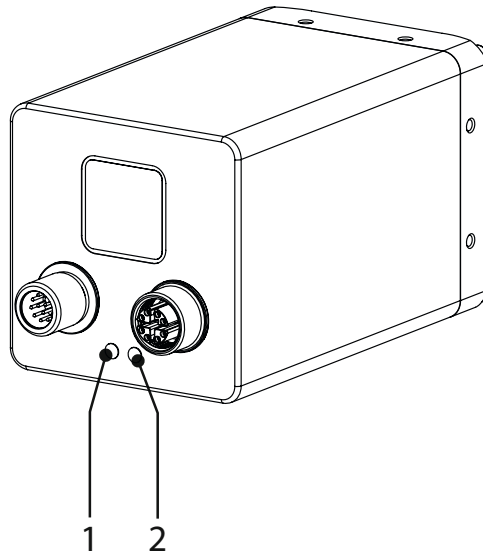
1	Power (lens)	4	UART TxD
2	GND (lens)	5	not connected
3	UART RxD	6	not connected



## 5.1.4 Digital-IO



### 5.1.5 LED Signaling

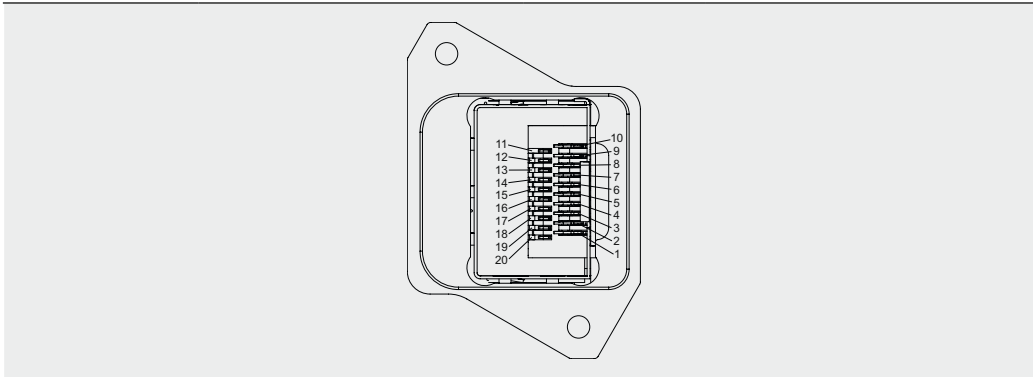


			Signal	Meaning
LED	1	GigE LED	green static	link active
			green flash	receiving
	2	Camera LED	yellow static	error
			yellow flash	transmitting
			orange static	overheated

## 5.2 VLXT.FO (10GBASE-SR/LR)

### 5.2.1 Data Interface

SFP+ Socket



1	VEET	11	VEER
2	TX_FAULT	12	RD-
3	TX_DISABLE	13	RD+
4	SDA	14	VEER
5	SCL	15	VCCR
6	MOD_ABS	16	VCCT
7	RS0	17	VEET
8	RX_LOS	18	TD+
9	RS1	19	TD-
10	VEER	20	VEET

#### Notice

The unit is to be connected only to internal Ethernet networks without exiting a facility and being subjected to Telecom Network Voltages (TNVs).

### 5.2.2 Transceiver / Cables

A variety of 10G SFP+ Series Fiber Optic Transceivers and cables available.

#### Notice

SFP+ modules for GigE (copper) are getting hot and heat the camera.

Only optical SFP+ modules may used which are in compliance with Class I device acc. 21 CFR 1040 (UL).

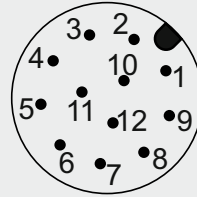
Please see the compliance list on the Baumer product selector:

<https://www.baumer.com/c/36460/products>

### 5.2.3 Power and Process Interface

#### Power supply / Digital-IO (SACC-CI-M12MS-12CON-L180)

wire colors of the connecting cable\* (ordered separately)



1	Power Vcc	brown	7	OUT3 (Line6)	black
2	GND (Power)	blue	8	RS232 TxD (Line2)	grey
3	IN1 (Line0)	white	9	OUT4 (Line7)	red
4	OUT1 (Line4)	green	10	RS232 RxD (Line3)	violet
5	IN2 (Line1)	pink	11	GND (IO)	grey-pink
6	OUT2 (Line5)	yellow	12	Power (IO)	red-blue

\* shielded cable needs to be used

Class 2 per NEC / Protection Class III

The device is intended to be supplied from an isolated Limited Energy Source per UL61010-1, 3rd ed cl. 9.4 or Limited Power Source per UL60950-1 or Class 2 per NEC.

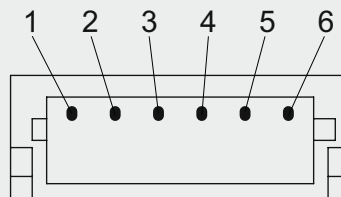
#### Power Supply

Power V <sub>CC</sub>	12 V ... 24 V (-15 % ... + 20 %) (Power consumption: max. 9.6 W)
Power (IO)	For UL conform installations: 12 V (- 20 %) ... 24 V (+ 20 %) For not UL conform installations: 12 V (- 20 %) ... 48 V (+ 10 %)

### 5.2.4 Lens Control (≥ Release 3 only)

#### Lens Control Interface

(JST BM06B-SRSS-TB)

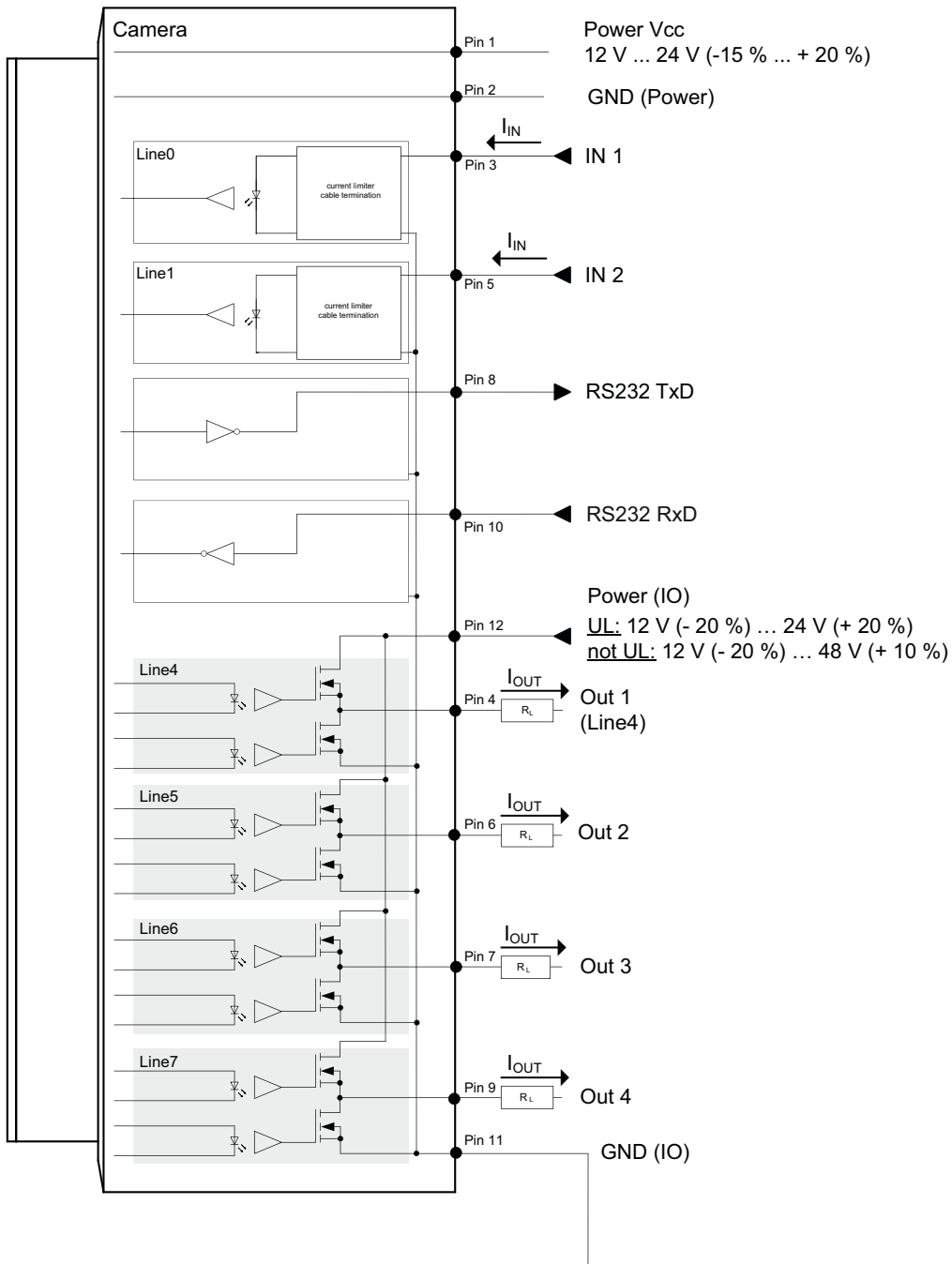


1	Power (lens)	4	UART TxD
2	GND (lens)	5	not connected
3	UART RxD	6	not connected

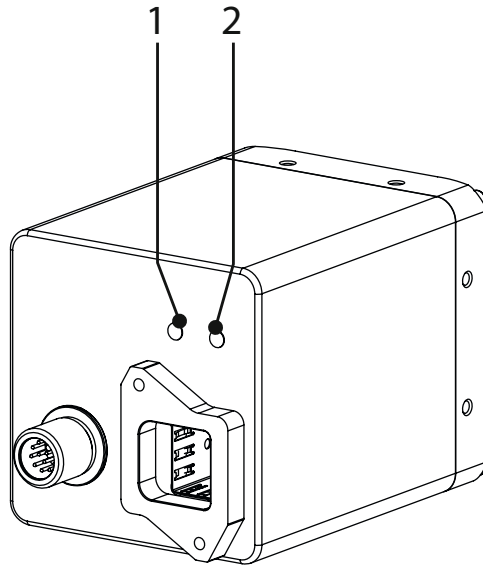
#### Notice

Please observe the instructions and notes in the technical documentation of the respective lens!

## 5.2.5 Digital-I/O



## 5.2.6 LED Signaling



			<b>Signal</b>	<b>Meaning</b>
<b>LED</b>	1	GigE LED	green static	link active
			green flash	receiving
	2	Camera LED	yellow static	error
			yellow flash	transmitting
			orange static	overheated

## 6. Product Specifications

### 6.1 Spectral Sensitivity

The following graphs show the spectral sensitivity characteristics of the camera. The characteristic curves for the sensors do not take the characteristics of lenses and light sources without filters into consideration.

Values relating to the respective technical data sheets of the sensor.

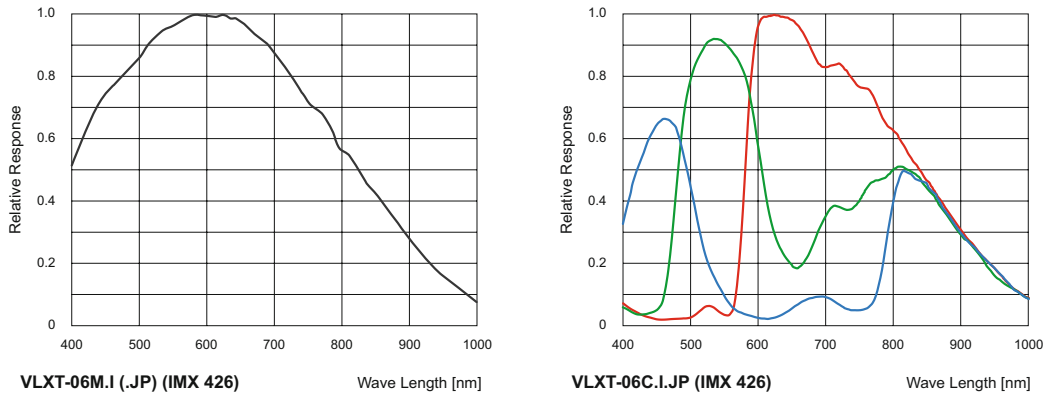


Figure 1: Spectral sensitivities for Baumer cameras with 0.5 MP sensor.

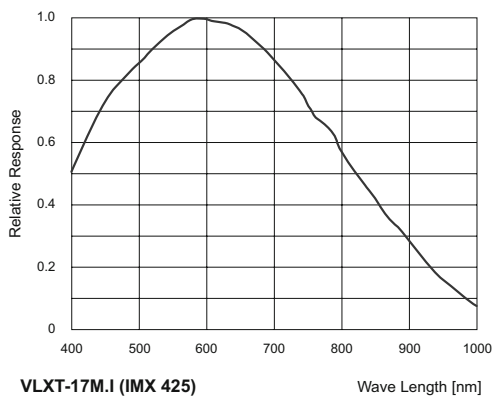


Figure 2: Spectral sensitivities for Baumer cameras with 1.7 MP sensor.

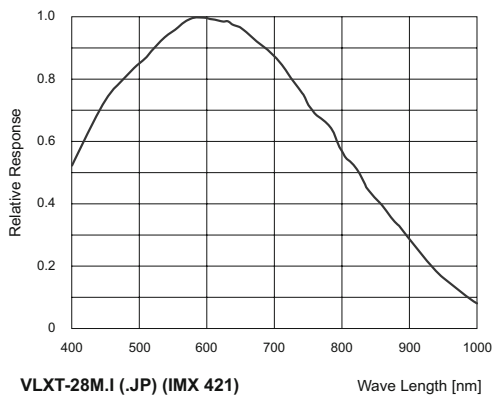


Figure 3: Spectral sensitivities for Baumer cameras with 2.8 MP sensor.

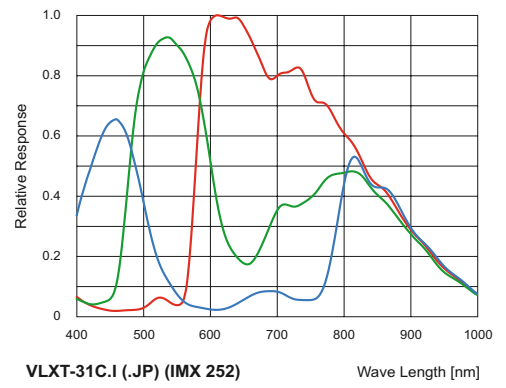
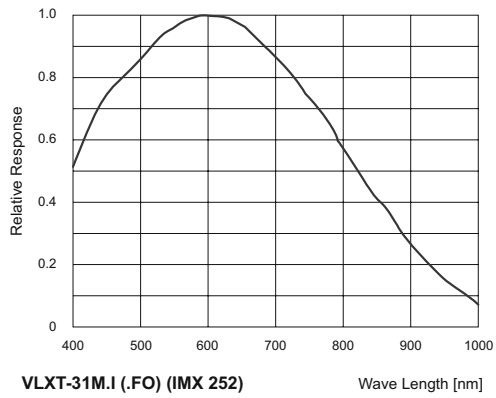


Figure 4: Spectral sensitivities for Baumer cameras with 3.1 MP sensor.

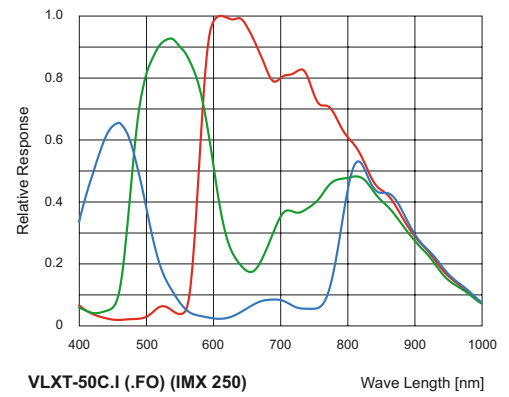
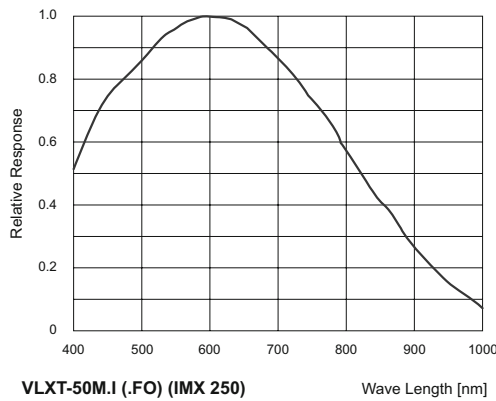


Figure 5: Spectral sensitivities for Baumer cameras with 5.0 MP sensor.

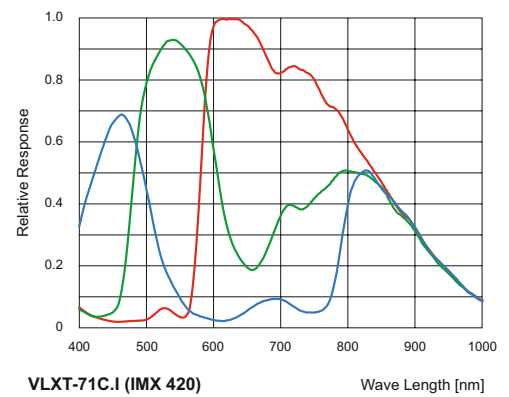
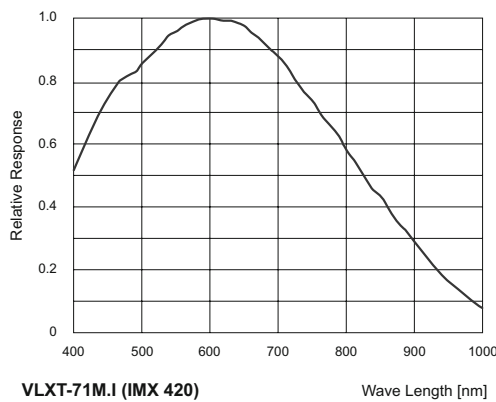


Figure 6: Spectral sensitivities for Baumer cameras with 7.1 MP sensor.

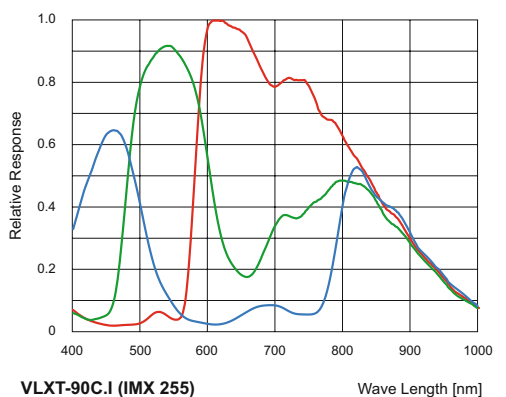
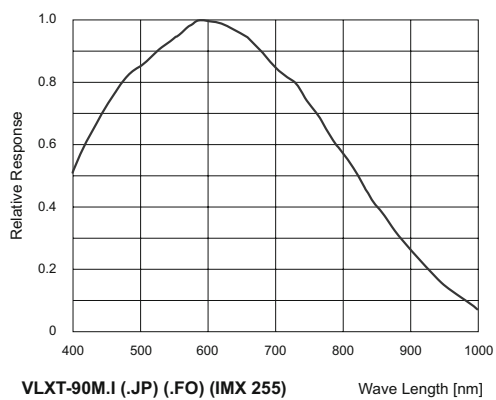


Figure 7: Spectral sensitivities for Baumer cameras with 9.0 MP sensor.



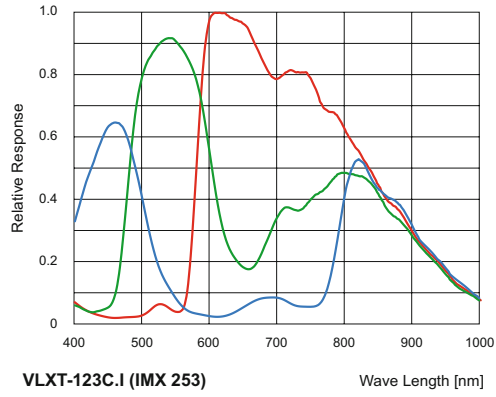
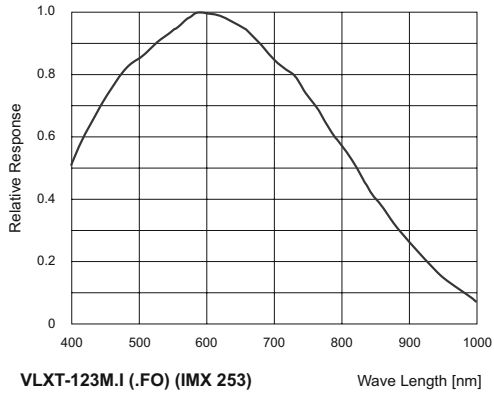


Figure 8: Spectral sensitivities for Baumer cameras with 12.3 MP sensor.

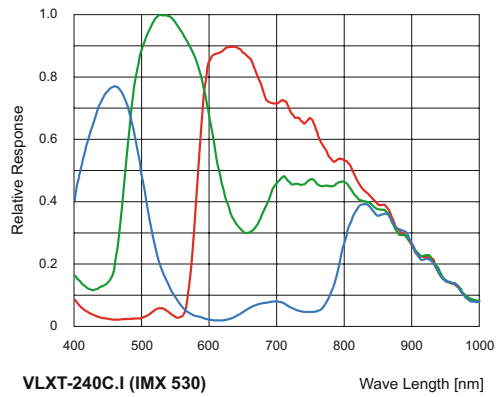
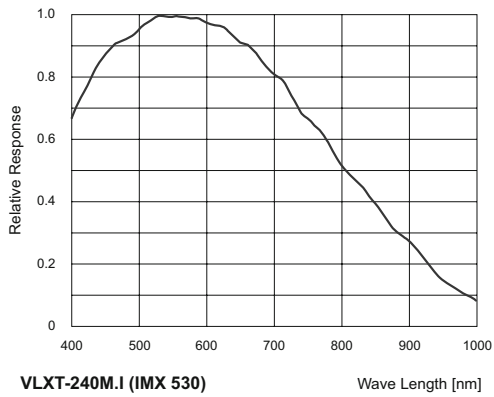


Figure 9: Spectral sensitivities for Baumer cameras with 24.4 MP sensor.

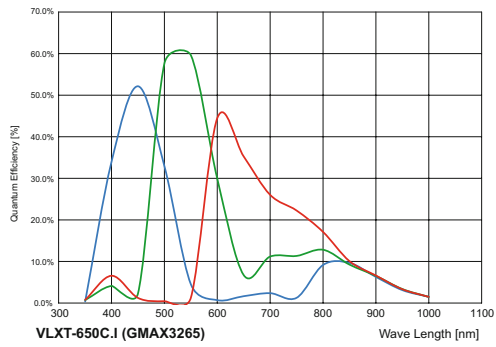
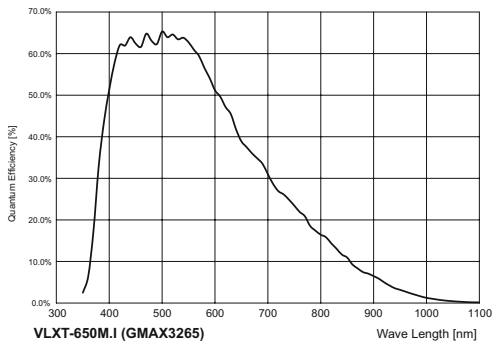
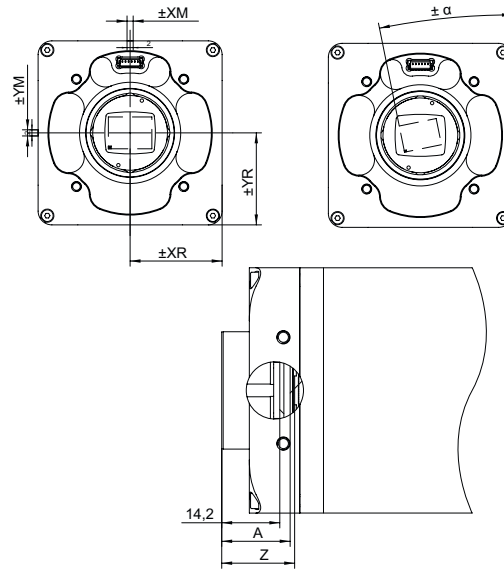


Figure 10: Spectral sensitivities for Baumer cameras with 12.3 MP sensor.

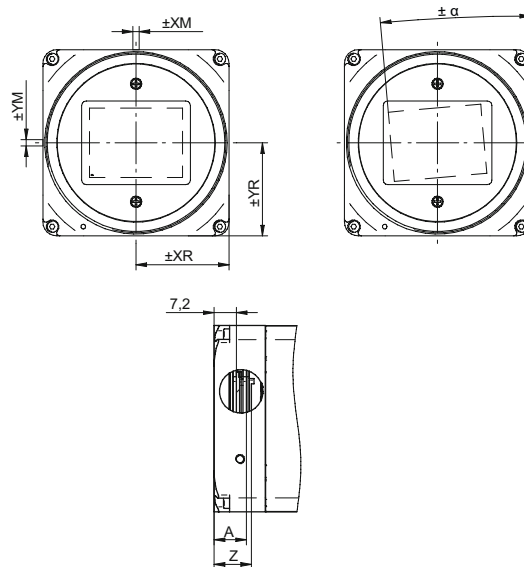
## 6.2 Sensor position accuracy

The typical accuracy by assumption of the root mean square value is displayed in the figures and the table below:

### C- / TFL-Mount



### M58-Mount



typical accuracy by assumption of the root mean square value

\* C or M

\*\* Dimension D in this table is from manufacturer datasheet

\*\*\* for color add 0.35 mm to normal value

Camera Type	$\pm X_M$ [mm]	$\pm y_M$ [mm]	$\pm X_R$ [mm]	$\pm Y_R$ [mm]	$Z^{***}_{typ}$ [mm]	$\pm \alpha_{typ}$ [°]	A*** [mm]	D** [mm]
VLXT-06*	0,05	0,05	0,05	0,05	17,53 ±0,05	0,25	15,6	0,5
VLXT-17*	0,05	0,05	0,05	0,05	17,53 ±0,05	0,25	15,6	0,5
VLXT-28*	0,05	0,05	0,05	0,05	17,53 ±0,05	0,25	15,6	0,5
VLXT-31*	0,14	0,14	0,15	0,15	17,53 ±0,05	0,5	16,33	0,7
VLXT-50*	0,14	0,14	0,15	0,15	17,53 ±0,05	0,5	16,33	0,7
VLXT-71*	0,05	0,05	0,05	0,05	17,53 ±0,05	0,25	15,6	0,5
VLXT-90*	0,1	0,1	0,11	0,11	17,53 ±0,05	0,5	16,33	0,7
VLXT-123*	0,1	0,1	0,11	0,11	17,53 ±0,05	0,5	16,33	0,7
VLXT-240*	0,05	0,05	0,05	0,05	17,53 ± 0,05	0,07	15,8	0,5
VLXT-650*	0,11	0,10	0,11	0,10	12 ± 0,25	0,13	10,45	0,9

## 6.3 Software

### 6.3.1 Baumer GAPI

Baumer GAPI stands for **B**aumer “**G**eneric **A**pplication **P**rogramming **I**nterface”. With this API Baumer provides an interface for optimal integration and control of Baumer cameras. This software interface allows changing to other camera models.

It provides interfaces to several programming languages, such as C, C++ and the .NET™ Framework on Windows®, as well as Mono on Linux® operating systems, which offers the use of other languages, such as e.g. C# or VB.NET.

More information can be found at: [www.baumer.com/vision/software](http://www.baumer.com/vision/software)

### 6.3.2 3<sup>rd</sup> Party Software

Strict compliance with the GenICam™ standard allows Baumer to offer the use of 3<sup>rd</sup> Party Software for operation with cameras of this series.

You can find a current listing of 3<sup>rd</sup> Party Software, which was tested successfully in combination with Baumer cameras, at: <https://www.baumer.com/c/14180>

## 7. Camera Functions

The description of the camera features is based on the GenICam™ compliant XML description file of the camera.

According to the GenICam™ GenTL SFNC standard, all the public features of a GenTL Producer must be included in the corresponding XML description file following the GenTL module hierarchy, and must use the SFNC name and interface type for those features should they exist. Other vendor-specific or specialized features not mapping to existing SNFC features can be included, but must be located in a vendor-specific namespace in the XML description file. They may also use a vendor-specific name.

With the GenTL SFNC, each feature included in a category. The category element defines in which group of features a particular feature will be located.

The category does not affect the functionality of the features, but is used by the GUIs to group the features when displaying them. The main purpose of this is to insure that the GUI can present features in a more organized way. The features within a category are sorted alphabetically.

### 7.1 Category: AcquisitionControl

This chapter describes all features related to image acquisition, including the trigger and exposure control.

#### 7.1.1 AcquisitionAbort

The acquisition abort process is a special case in which the current acquisition is stopped. If an exposure is running, the exposure is aborted immediately and the image is not read out.

<b>Name</b>	AcquisitionAbort
<b>Category</b>	AcquisitionControl
<b>Interface</b>	ICommand
<b>Access</b>	Write only
<b>Unit</b>	-
<b>Values</b>	-

#### 7.1.2 AcquisitionFrameCount

Number of frames to acquire in MultiFrame Acquisition mode

<b>Name</b>	AcquisitionFrameCount
<b>Category</b>	AcquisitionControl
<b>Interface</b>	IInteger
<b>Access</b>	Read / Write
<b>Unit</b>	-
<b>Values</b>	1 - 65535 (Increment: 1)

### 7.1.3 AcquisitionFrameRate

Controls the acquisition rate (in Hertz) at which the frames are captured.

#### Notice

For cameras that use the PTP functionality, the generation of the frame rate is based on the synchronized timestamp. This ensures the synchronous recording of frames.

To use this functionality, set *PtpServoStatus = Locked*.

<b>Name</b>	AcquisitionFrameRate
<b>Category</b>	AcquisitionControl
<b>Interface</b>	IFloat
<b>Access</b>	Read / Write
<b>Unit</b>	Hz
<b>Values</b>	depends on camera

### 7.1.4 AcquisitionFrameRateEnable

Enables the acquisition at the framerate specified by AcquisitionFrameRate.

<b>Name</b>	AcquisitionFrameRateEnable
<b>Category</b>	AcquisitionControl
<b>Interface</b>	IBoolean
<b>Access</b>	Read / Write
<b>Unit</b>	-
<b>Values</b>	true = 1 (On) false = 0 (Off)

### 7.1.5 AcquisitionMode

Sets the acquisition mode of the device. It defines mainly the number of frames to capture during an acquisition and the way the acquisition stops.

#### Notice

The camera must be stopped before this feature can be edited.

<b>Name</b>	AcquisitionMode	
<b>Category</b>	AcquisitionControl	
<b>Interface</b>	IEnumeration	
<b>Access</b>	Read / Write	
<b>Unit</b>	-	
<b>Values</b>	Continuous	Frames are captured continuously without external events until stopped with the AcquisitionStop command.
	MultiFrame	In this mode a predefined number of frames will be captured after AcquisitionStart. The AcquisitionFrameCount controls the number of captured frames. Then the acquisition is automatically stopped.
	SingleFrame	In this mode the camera is captured one frame after AcquisitionStart. Then the acquisition is stopped.

### 7.1.6 AcquisitionStart

Once image acquisition has started, the camera processes the images in three steps:

- Determining the current set of image parameters
- Sensor exposure
- Readout from the sensor.

This process is then repeated until the camera is stopped.

#### Notice

Certain settings which affect the image format can only be adjusted if the camera is stopped.

This includes:

- PixelFormat
- Region of Interest (OffsetX / OffsetY / Width / Height)

<b>Name</b>	AcquisitionStart	
<b>Category</b>	AcquisitionControl	
<b>Interface</b>	ICommand	
<b>Access</b>	Write only	
<b>Unit</b>	-	
<b>Values</b>	-	

### 7.1.7 AcquisitionStatus

Reads the state of the internal acquisition signal selected using *AcquisitionStatusSelector*.

<b>Name</b>	AcquisitionStatus
<b>Category</b>	AcquisitionControl
<b>Interface</b>	IBoolean
<b>Access</b>	Read only
<b>Unit</b>	-
<b>Values</b>	true = 1 (On) false = 0 (Off)

### 7.1.8 AcquisitionStatusSelector

Selects the internal acquisition signal to read using AcquisitionStatus.

<b>Name</b>	AcquisitionStatusSelector
<b>Category</b>	AcquisitionControl
<b>Interface</b>	IEnumeration
<b>Access</b>	Read / Write
<b>Unit</b>	-
<b>Values</b>	Acquisition Active      Device is currently doing an acquisition of one or many frames. Acquisition Trigger Wait      Device is currently waiting for a trigger for the capture of one or many frames.

### 7.1.9 AcquisitionStop

Stops the Acquisition of the device at the end of the current Frame.

<b>Name</b>	AcquisitionStop
<b>Category</b>	AcquisitionControl
<b>Interface</b>	ICommand
<b>Access</b>	Write only
<b>Unit</b>	-
<b>Values</b>	-

### 7.1.10 ExposureAuto (≥ Release 2 only)

Sets the automatic exposure mode when ExposureMode is Timed. The exact algorithm used to implement this control is device-specific.

<b>Name</b>	ExposureAuto	
<b>Category</b>	AcquisitionControl	
<b>Interface</b>	IEnumeration	
<b>Access</b>	Read / Write	
<b>Unit</b>	-	
<b>Values</b>	Continuous	Exposure duration is constantly adapted by the device to maximize the dynamic range.
	Off	Exposure duration is user controlled using ExposureTime.
	Once	Exposure duration is adapted once by the device. Once it has converged, it returns to the Off state.

### 7.1.11 ExposureMode

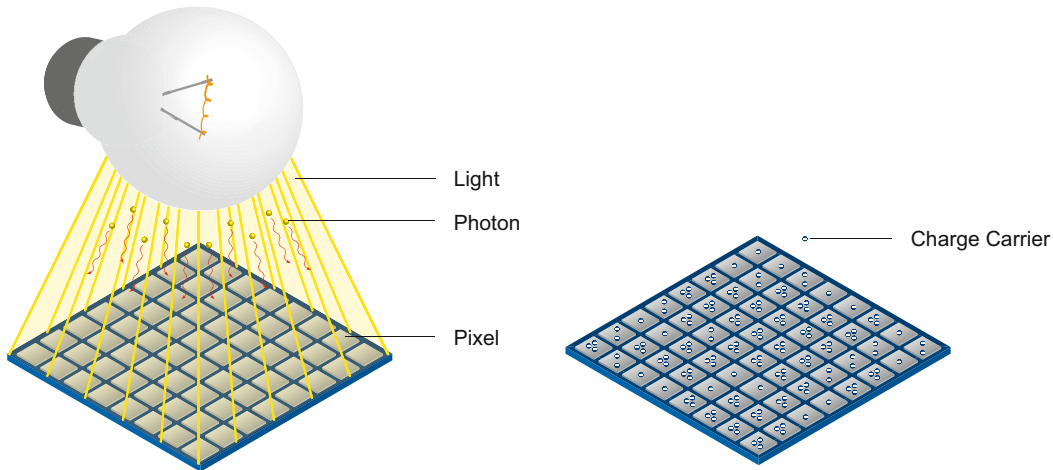
Sets the operation mode of the Exposure (or shutter).

<b>Name</b>	ExposureMode	
<b>Category</b>	AcquisitionControl	
<b>Interface</b>	IEnumeration	
<b>Access</b>	Read / Write	
<b>Unit</b>	-	
<b>Values</b>	Timed	Timed exposure. The exposure duration time is set using the ExposureTime or ExposureAuto features and the exposure starts with the FrameStart or LineStart.



### 7.1.12 ExposureTime

On exposure of the sensor, the inclination of photons produces a charge separation on the semiconductors of the pixels. This results in a voltage difference which is used to extract the signal.



The signal strength is influenced by the incoming amount of photons. It can be increased by increasing the exposure time ( $t_{\text{exposure}}$ ).

<b>Name</b>	ExposureTime
<b>Category</b>	AcquisitionControl
<b>Interface</b>	IFloat
<b>Access</b>	Read / Write
<b>Unit</b>	$\mu\text{s}$
<b>Values</b>	see table below

#### Notice

If the feature *ShortExposureTimeEnable* is enabled and the exposure time is changed e.g. from 20  $\mu\text{s}$  to lower than 15  $\mu\text{s}$ , this will change the internal parameters of the sensors and the sensor needs to reinitialize.

This initialization sequence takes about 50 ms. This process is only necessary, if the exposure range is changed. If the new exposure value is within the default exposure range, no initialization is necessary.

#### Notice

It is not possible to use the *Sequencer* when the feature *Short Exposure Time Enable* is enabled.

Camera Type	$t_{\text{exposure min}}$ <small>ExposureTimeDefault   ShortExposureTimeEnable</small>	$t_{\text{non-selectable range}}^*$ <small>ExposureTimeGapMin - ExposureTimeGapMax</small>	$t_{\text{exposure max}}$
<b>Monochrome</b>			
VLXT-06M.I (.JP)	7   1 $\mu\text{s}$	6 $\mu\text{s}$	60 s
VLXT-17M.I	7   1 $\mu\text{s}$	6 $\mu\text{s}$	60 s
VLXT-31M(.I) (.FO)	15   1 $\mu\text{s}$		60 s
VLXT-28M.I (.JP)	8   1 $\mu\text{s}$	6 - 7 $\mu\text{s}$	60 s
VLXT-50M(.I) (.FO)	15   1 $\mu\text{s}$		60 s
VLXT-71M.I	9   1 $\mu\text{s}$	6 - 8 $\mu\text{s}$	60 s
VLXT-90M (.I) (.JP) (.FO)	15   1 $\mu\text{s}$		60 s
VLXT-123M(.I) (.FO)	15   1 $\mu\text{s}$		60 s
VLXT-240M.I	8   1 $\mu\text{s}$		60 s
VLXT-650M.I	20 $\mu\text{s}$		60 s
<b>Color</b>			
VLXT-06C.I.JP	7   1 $\mu\text{s}$	6 $\mu\text{s}$	60 s
VLXT-31C.I (.JP)	15   1 $\mu\text{s}$		60 s
VLXT-50C(.I) (.FO)	15   1 $\mu\text{s}$		60 s
VLXT-71C.I	9   1 $\mu\text{s}$	6 - 8 $\mu\text{s}$	60 s
VLXT-90C.I	15   1 $\mu\text{s}$		60 s
VLXT-123C.I	15   1 $\mu\text{s}$		60 s
VLXT-240C.I	8   1 $\mu\text{s}$		60 s
VLXT-650C.I	20 $\mu\text{s}$		60 s

<sup>\*)</sup> range only relevant with activated *ShortExposureTimeEnable*

**Notice**

If the `ExposureTime` is within the gap range ( $t_{\text{non-selectable range}}$ ), a value of `ExposureTimeGapMax + 1` is automatically set.

### 7.1.13 ExposureTimeGapMax (≥ Release 3 only)

Returns the maximum value of the exposure time gap.

<b>Name</b>	ExposureTimeGapMax
<b>Category</b>	AcquisitionControl
<b>Interface</b>	IFloat
<b>Access</b>	Read only
<b>Unit</b>	$\mu\text{s}$
<b>Values</b>	0 - 2,000,000.000000 (Increment: 1.00)

### 7.1.14 ExposureTimeGapMin (≥ Release 3 only)

Returns the minimum value of the exposure time gap.

<b>Name</b>	ExposureTimeGapMin
<b>Category</b>	AcquisitionControl
<b>Interface</b>	IFloat
<b>Access</b>	Read only
<b>Unit</b>	$\mu\text{s}$
<b>Values</b>	0 - 2,000,000.000000 (Increment: 1.00)

### 7.1.15 ReadoutMode

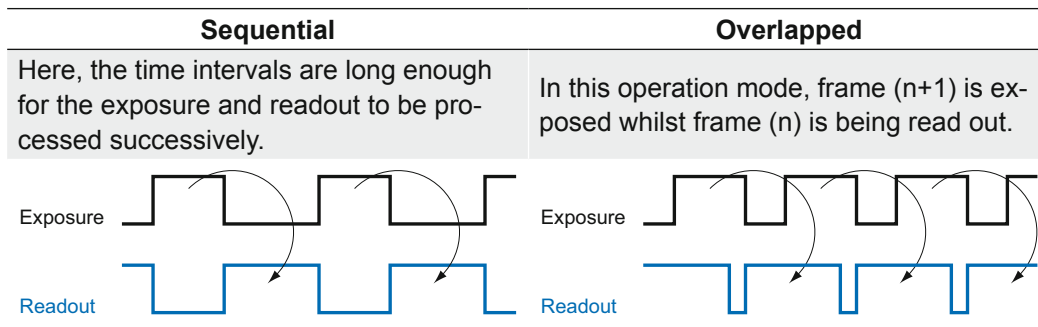
Specifies the operation mode of the readout for the acquisition.

Image acquisition consists of two separate procedures carried out in succession.

Exposing the pixels on the photosensitive surface of the sensor is only the first part of the image acquisition process. Once this first step is completed, the pixels are read out.

The exposure time ( $t_{\text{exposure}}$ ) can be adjusted by the user, however, the time needed for the readout ( $t_{\text{readout}}$ ) is determined by the particular sensor and image format in use.

The cameras can be operated sequential or overlapped depending on the mode and the combination of exposure and readout times used:



<b>Name</b>	ReadoutMode	
<b>Category</b>	AcquisitionControl	
<b>Interface</b>	IEnumeration	
<b>Access</b>	Read / Write	
<b>Unit</b>	-	
<b>Values</b>	Overlapped	Overlapped ReadoutMode
	Sequential	Sequential ReadoutMode

### 7.1.16 ShortExposureTimeEnable

Controls if short exposure time should be supported.

#### Notice

It is not possible to use the *Sequencer* when the feature *Short Exposure Time Enable* is enabled.

<b>Name</b>	ShortExposureTimeEnable	
<b>Category</b>	AcquisitionControl	
<b>Interface</b>	IBoolean	
<b>Access</b>	Read / Write	
<b>Unit</b>	-	
<b>Values</b>	true = 1 (On)	
	false = 0 (Off)	

### 7.1.17 TriggerActivation

Specifies the activation mode of the trigger.

<b>Name</b>	TriggerActivation	
<b>Category</b>	AcquisitionControl	
<b>Interface</b>	IEnumeration	
<b>Access</b>	Read / Write	
<b>Unit</b>	-	
<b>Values</b>	FallingEdge	Specifies that the trigger is considered valid on the falling edge of the source signal.
	RisingEdge	Specifies that the trigger is considered valid on the rising edge of the source signal.

### 7.1.18 TriggerDelay

Specifies the delay in microseconds (us) to apply after the trigger reception before activating it.

<b>Name</b>	TriggerDelay
<b>Category</b>	AcquisitionControl
<b>Interface</b>	IFloat
<b>Access</b>	Read / Write
<b>Unit</b>	µs
<b>Values</b>	0 - 2,000,000.000000 (Increment: 1.00)

### 7.1.19 TriggerMode

Controls if the selected trigger is active.

<b>Name</b>	TriggerMode	
<b>Category</b>	AcquisitionControl	
<b>Interface</b>	IEnumeration	
<b>Access</b>	Read / Write	
<b>Unit</b>	-	
<b>Values</b>	Off	Disables the selected trigger.
	On	Enable the selected trigger.

### 7.1.20 TriggerOverlap

Specifies the type trigger overlap permitted with the previous frame.

<b>Name</b>	TriggerOverlap	
<b>Category</b>	AcquisitionControl	
<b>Interface</b>	IEnumeration	
<b>Access</b>	Read / Write	
<b>Unit</b>	-	
<b>Values</b>	Read Out	Trigger is accepted immediately after the exposure period..

### 7.1.21 TriggerSelector

Selects the type of trigger to configure.

<b>Name</b>	TriggerSelector
<b>Category</b>	AcquisitionControl
<b>Interface</b>	IEnumeration
<b>Access</b>	Read / Write
<b>Unit</b>	-
<b>Values</b>	Frame Start      Selects the type of trigger to configure.

### 7.1.22 TriggerSoftware

Generates a internal trigger. *TriggerSource* must be set to Software.

<b>Name</b>	TriggerSoftware
<b>Category</b>	AcquisitionControl
<b>Interface</b>	ICommand
<b>Access</b>	Write only
<b>Unit</b>	-
<b>Values</b>	-

### 7.1.23 TriggerSource

Specifies the internal signal or physical input Line to use as the trigger source. The selected trigger must have its *TriggerMode* set to On.

<b>Name</b>	TriggerSource	
<b>Category</b>	AcquisitionControl	
<b>Interface</b>	IEnumeration	
<b>Access</b>	Read / Write	
<b>Unit</b>	-	
<b>Values</b>	Action1	Specifies which Action command to use as internal source for the trigger.
	All	All trigger sources are active.
	Counter1End (≥ Rel. 2 only)	Specifies which of the Counter signal to use as internal source for the trigger.
	Counter-2End(≥ Rel. 2 only)	Specifies which of the Counter signal to use as internal source for the trigger.
	Line0	Specifies which physical line (or pin) and associated I/O control block to use as external source for the trigger signal.
	Line1	Specifies which physical line (or pin) and associated I/O control block to use as external source for the trigger signal.
	Off	No trigger source is active.
	Software	Specifies that the trigger source will be generated by software using the TriggerSoftware command.

## 7.2 Category: ActionControl

Category that contains the Action control features.

### 7.2.1 ActionDeviceKey

Provides the device key that allows the device to check the validity of action commands. The device internal assertion of an action signal is only authorized if the *ActionDeviceKey* and the action device key value in the protocol message are equal.

<b>Name</b>	ActionDeviceKey
<b>Category</b>	AnalogControl
<b>Interface</b>	Integer
<b>Access</b>	Write only
<b>Unit</b>	-
<b>Values</b>	0 - 4294967295 (Increment: 1)

### 7.2.2 ActionGroupKey

Provides the key that the device will use to validate the action on reception of the action protocol message.

<b>Name</b>	ActionGroupKey
<b>Category</b>	AnalogControl
<b>Interface</b>	Integer
<b>Access</b>	Read / Write
<b>Unit</b>	-
<b>Values</b>	0 - 4294967295 (Increment: 1)

### 7.2.3 ActionGroupMask

Provides the mask that the device will use to validate the action on reception of the action protocol message.

<b>Name</b>	ActionGroupMask
<b>Category</b>	AnalogControl
<b>Interface</b>	Integer
<b>Access</b>	Read / Write
<b>Unit</b>	-
<b>Values</b>	0 - 4294967295 (Increment: 1)

## 7.2.4 ActionSelector

Selects to which Action Signal further Action settings apply.

<b>Name</b>	ActionSelector
<b>Category</b>	AnalogControl
<b>Interface</b>	Integer
<b>Access</b>	Read / Write
<b>Unit</b>	-
<b>Values</b>	1 - 1 (Increment: 1)

## 7.3 Category: AnalogControl

Features in this chapter describes how to influence the analog features of an image, such as gain, black level, brightness correction and gamma.

### 7.3.1 BalanceWhiteAuto (color cameras only)

Controls the mode for automatic white balancing between the color channels. The white balancing ratios are automatically adjusted.

<b>Name</b>	BalanceWhiteAuto	
<b>Category</b>	AnalogControl	
<b>Interface</b>	IEnumeration	
<b>Access</b>	Read / Write	
<b>Unit</b>	-	
<b>Values</b>	Continuous	White balancing is constantly adjusted by the device.
	Off	White balancing is off.
	Once	White balancing is automatically adjusted once by the device. Once it has converged, it automatically returns to the Off state.

### 7.3.2 BlackLevel

Controls the analog black level as an absolute physical value. This represents a DC offset applied to the video signal.

<b>Name</b>	BlackLevel
<b>Category</b>	AnalogControl
<b>Interface</b>	IFloat
<b>Access</b>	Read / Write
<b>Unit</b>	-
<b>Values</b>	see table below (Increment: 1.00)

Camera Type	Black Level
<b>Monochrome</b>	
VLXT-06M.I (.JP)	0 ... 255 DN12
VLXT-17M.I	0 ... 255 DN12
VLXT-28M.I (.JP)	0 ... 255 DN12
VLXT-31M(.I) (.FO)	0 ... 255 DN12
VLXT-50M(.I) (.FO)	0 ... 255 DN12
VLXT-71M(.I) (.FO)	0 ... 255 DN12
VLXT-90M(.I) (.JP) (.FO)	0 ... 255 DN12
VLXT-123M(.I) (.FO)	0 ... 255 DN12
VLXT-240M.I	0 ... 255 DN12
VLXT-650M.I	0 ... 255 DN12
<b>Color</b>	
VLXT-06C.I.JP	0 ... 255 DN12
VLXT-31C.I (.JP)	0 ... 255 DN12
VLXT-50C(.I) (.FO)	0 ... 255 DN12
VLXT-71C.I	0 ... 255 DN12
VLXT-90C.I	0 ... 255 DN12
VLXT-123C.I	0 ... 255 DN12
VLXT-240C.I	0 ... 255 DN12
VLXT-650C.I	0 ... 255 DN12



### 7.3.3 BlackLevelSelector

Selects which Black Level is controlled by the various Black Level features.

<b>Name</b>	BlackLevelSelector
<b>Category</b>	AnalogControl
<b>Interface</b>	IEnumeration
<b>Access</b>	Read / Write
<b>Unit</b>	-
<b>Values</b>	All                      Black Level will be applied to all channels or taps.

### 7.3.4 Gain

Motion blur is unacceptable in high quality image acquisition. Exposure times are therefore limited. However, this results in low output signals from the camera and dark images. To solve this issue, the signals can be amplified by a user-defined gain factor within the camera.

#### Notice

Increasing the gain factor also increases image noise.

Controls the selected gain as an absolute physical value.

<b>Name</b>	Gain
<b>Category</b>	AnalogControl
<b>Interface</b>	IIFloat
<b>Access</b>	Read / Write
<b>Unit</b>	-
<b>Values</b>	see table below

Camera Type	Gain [db]
<b>Monochrome</b>	
VLXT-06M.I (.JP)	0...48
VLXT-17M.I	0...48
VLXT-28M.I (.JP)	0...48
VLXT-31M(.I) (.FO)	0...48
VLXT-50M(.I) (.FO)	0...48
VLXT-71M.I	0...48
VLXT-90M(.I) (.JP) (.FO)	0...48
VLXT-123M(.I) (.FO)	0...48
VLXT-240M.I	0...48
VLXT-650M.I	0...48
<b>Color</b>	
VLXT-06C.I.JP	0...48
VLXT-31C.I (.JP)	0...48
VLXT-50C(.I) (.FO)	0...48
VLXT-71C.I	0...48
VLXT-90C.I	0...48
VLXT-123C.I	0...48
VLXT-240C.I	0...48
VLXT-650C.I	0...48

### 7.3.5 GainAuto (≥ Release 2 only)

Sets the automatic gain control (AGC) mode. The exact algorithm used to implement AGC is device-specific.

<b>Name</b>	GainAuto	
<b>Category</b>	AnalogControl	
<b>Interface</b>	IEnumeration	
<b>Access</b>	Read / Write	
<b>Unit</b>	-	
<b>Values</b>	Continuous	Gain is constantly adjusted by the device.
	Off	Gain is User controlled using Gain.
	Once	Gain is automatically adjusted once by the device. Once it has converged, it automatically returns to the Off state.

### 7.3.6 GainSelector

Selects which gain is controlled by the various gain features.

<b>Name</b>	GainSelector	
<b>Category</b>	AnalogControl	
<b>Interface</b>	IEnumeration	
<b>Access</b>	Read / Write	
<b>Unit</b>	-	
<b>Values</b>	All	Gain will be applied to all channels or taps.
	Blue	Gain will be applied to the blue channel. (color cameras only)
	GreenBlue	Gain will be applied to the green blue channel. (color cameras only)
	GreenRed	Gain will be applied to the green red channel. (color cameras only)
	Red	Gain will be applied to the red channel. (color cameras only)

### 7.3.7 Gamma

Controls the gamma correction of pixel intensity. This is typically used to compensate for non-linearity of the display system (such as CRT).

<b>Name</b>	Gamma	
<b>Category</b>	AnalogControl	
<b>Interface</b>	IFloat	
<b>Access</b>	Read / Write	
<b>Unit</b>	-	
<b>Values</b>	0.1 - 2.0 (Increment: 0.10)	

### 7.3.8 HighConversionGainEnable

Enables the high conversion gain mode inside the sensor.

This function makes the image brighter. However, the quality of the image is better than when the exposure time alone is increased. Combine both functions.

#### Notice

The camera must be stopped before this feature can be edited.

The following cameras support this function:

Camera Type	HighConversionGainEnable
<b>Mono</b>	
VLXT-06M.I	■
VLXT-17M.I	■
VLXT-28M.I	■
VLXT-71M.I	■
<b>Color</b>	
VLXT-71C.I	■

<b>Name</b>	HighConversionGainEnable
<b>Category</b>	AnalogControl
<b>Interface</b>	IBoolean
<b>Access</b>	Read / Write
<b>Unit</b>	-
<b>Values</b>	true = 1 (On) false = 0 (Off)

### 7.3.9 HighConversionGain

Returns the high conversion gain of the sensor.

<b>Name</b>	HighConversionGain
<b>Category</b>	AnalogControl
<b>Interface</b>	IFloat
<b>Access</b>	Read only
<b>Unit</b>	-
<b>Values</b>	1.0 - dependent on sensor (Increment: 1.00)

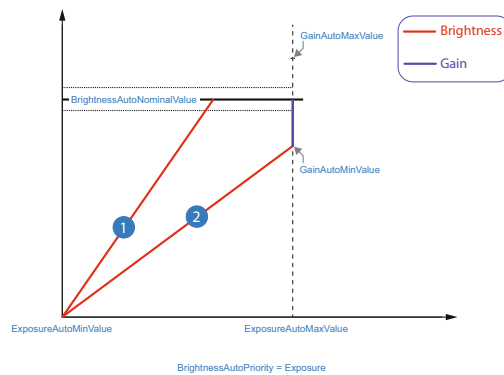
## 7.4 Category: AutoFeatureControl (≥ Release 2 only)

Category that contains the auto feature control features.

### General Information

Various auto features are available to affect the automatic adjustment of image brightness. Two methods are described below.

#### BrightnessAutoPriority = ExposureAuto



#### 1 Example 1

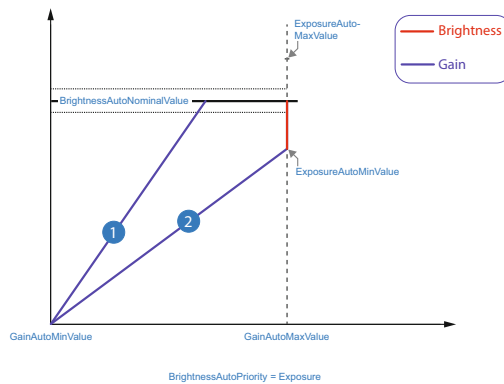
For image 1, increasing the brightness with *ExposureTime* is sufficient to achieve the *BrightnessAutoNominalValue*.

#### 2 Example 2

For image 2, increasing the brightness with *ExposureTime* is not enough to reach the value of *BrightnessAutoNominalValue*.

Therefore, the gain is increased after reaching *ExposureAutoMaxValue*.

#### BrightnessAutoPriority = GainAuto



#### 1 Example 1

For image 1, increasing the brightness with *Gain* is sufficient to achieve the *BrightnessAutoNominalValue*.

#### 2 Example 2

For image 2, increasing the brightness with *Gain* is not enough to reach the value of *BrightnessAutoNominalValue*.

Therefore, the *ExposureTime* is increased after reaching *GainAutoMaxValue*.

## AutoFeature ROI - General Information

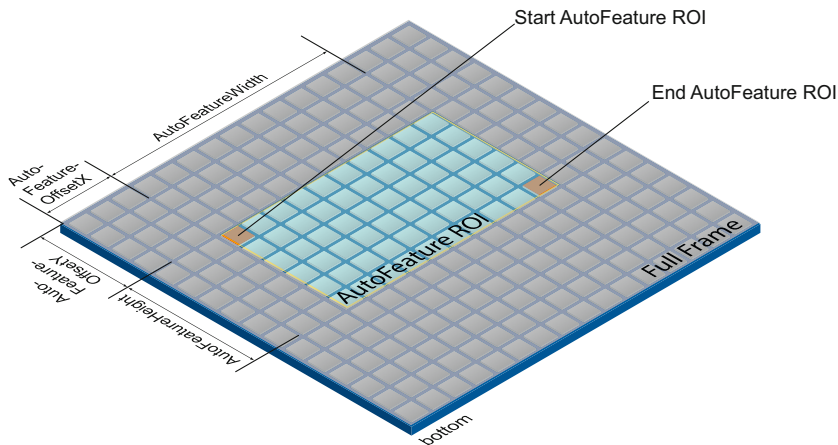
You can use the AutoFeature Region of Interest (ROI) function to predefine a so-called region of interest. This ROI is an area of pixels on the sensor.

This function is used if only the image data (e.g. brightness) of a particular region of the image is of interest. The calculated corrections will be applied to the entire image.

The AutoFeature ROI is specified using four values:

- AutoFeatureOffsetX - x-coordinate of the first relevant pixel
- AutoFeatureOffsetY - y-coordinate of the first relevant pixel
- AutoFeatureWidth - horizontal size of the Region
- AutoFeatureHeight - vertical size of the Region

## AutoFeature ROI in Full Frame



## AutoFeature ROI in an ROI

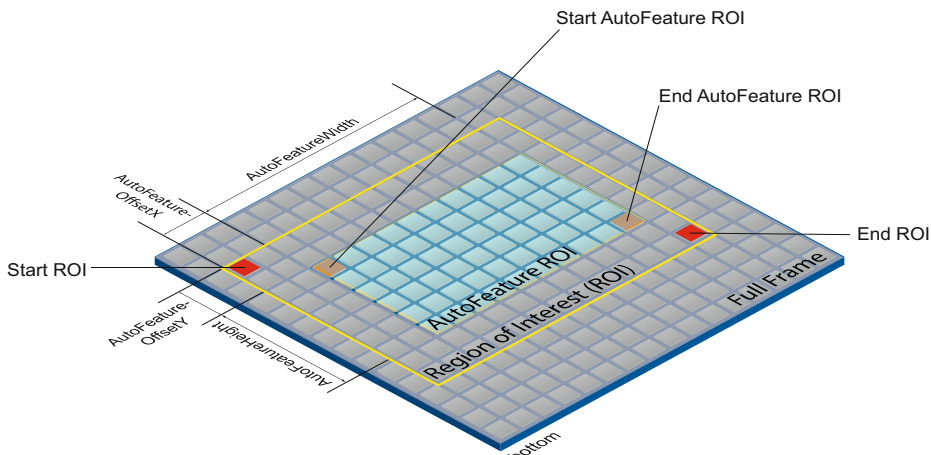
### Notice

It is possible to set an AutoFeature ROI in an ROI (Category: *ImageFormatControl*). The values that can be set for the AutoFeature ROI are adjusted accordingly.

The starting point for *AutoFeatureOffsetX* and *AutoFeatureOffsetY* is determined by the ROI (Category: *ImageFormatControl*).

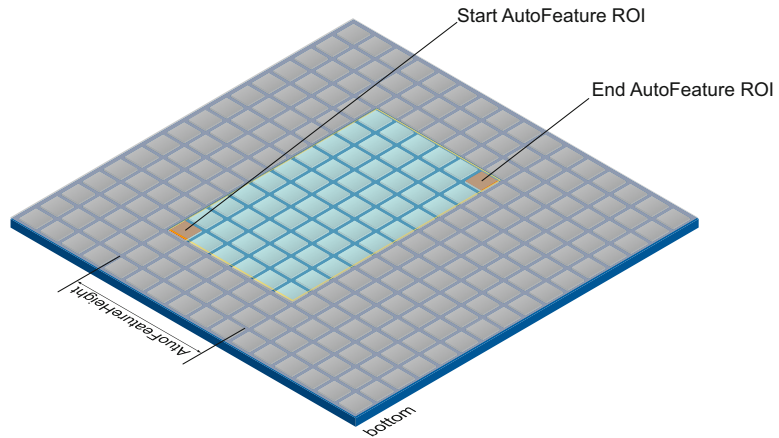
It is not possible to use AutoFeature ROI and Multi ROI together.

If the AutoFeature ROI is outside the AutoFeatureRegionReference ROI (Category: *ImageFormatControl*) the corresponding AutoFeature cannot be started.



### 7.4.1 AutoFeatureHeight

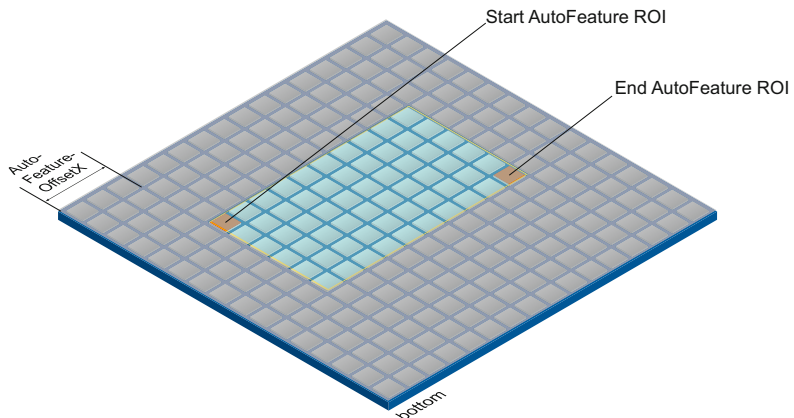
Height of the selected Auto Feature Region (in pixels).



<b>Name</b>	AutoFeatureHeight
<b>Category</b>	AutoFeatureControl
<b>Interface</b>	Integer
<b>Access</b>	Read / Write
<b>Unit</b>	-
<b>Values</b>	<a href="#">see chapter „7.13.6 Height“ on page 129</a>

### 7.4.2 AutoFeatureOffsetX

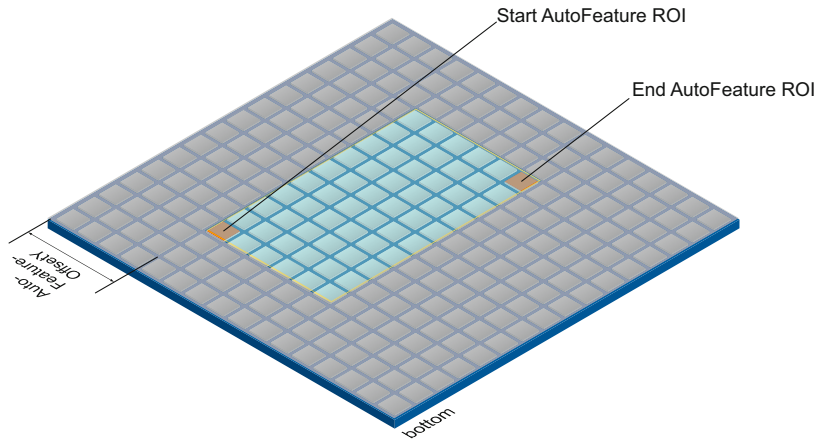
Horizontal offset from the origin to the Auto Feature Region (in pixels).



<b>Name</b>	AutoFeatureOffsetX
<b>Category</b>	AutoFeatureControl
<b>Interface</b>	Integer
<b>Access</b>	Read / Write
<b>Unit</b>	-
<b>Values</b>	0 - depends on set <i>AutoFeatureWidth</i>

### 7.4.3 AutoFeatureOffsetY

Vertical offset from the origin to the Auto Feature Region (in pixels).



<b>Name</b>	AutoFeatureOffsetY
<b>Category</b>	AutoFeatureControl
<b>Interface</b>	Integer
<b>Access</b>	Read / Write
<b>Unit</b>	-
<b>Values</b>	0 - depends on set <i>AutoFeatureHeight</i>

### 7.4.4 AutoFeatureRegionMode

Controls the mode of the selected Auto Feature Region (AutoFeature ROI).

#### Notice

The camera must be stopped before this feature can be edited.

<b>Name</b>	AutoFeatureRegionMode	
<b>Category</b>	AutoFeatureControl	
<b>Interface</b>	IEnumeration	
<b>Access</b>	Read / Write	
<b>Unit</b>	-	
<b>Values</b>	Off	All settings of the selected AutoFeature ROI are automatically equal to the selected AutoFeatureRegionReference.
	On	The settings of the selected AutoFeature ROI are user defined. The AutoFeature is useable only if the AutoFeature ROI fits into the AutoFeatureregionReference of the AutoFeature.

### 7.4.5 AutoFeatureRegionReference

The Reference Region of interest. The Auto Feature Region is part of this region and all Auto Feature Region features are refer to this Reference Region.

<b>Name</b>	AutoFeatureRegionReference
<b>Category</b>	AutoFeatureControl
<b>Interface</b>	IEnumeration
<b>Access</b>	Read / Write
<b>Unit</b>	-
<b>Values</b>	Region0      The selected Auto Feature Region refers to Region 0.

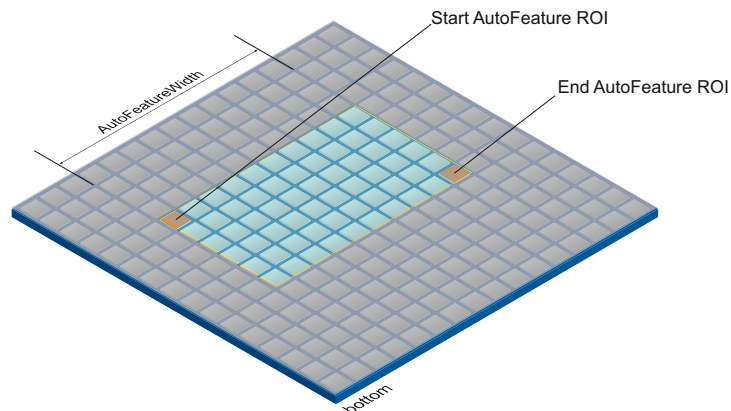
### 7.4.6 AutoFeatureRegionSelector

Selects the Region of interest to control. The RegionSelector feature allows devices that are able to extract multiple regions out of an image, to configure the features of those individual regions independently.

<b>Name</b>	AutoFeatureRegionSelector
<b>Category</b>	AutoFeatureControl
<b>Interface</b>	IEnumeration
<b>Access</b>	Read / Write
<b>Unit</b>	-
<b>Values</b>	BalanceWhite- Auto      Selected features will control the region for Balance- WhiteAuto and ColorTransformationAuto algorithm. Brightness- Auto      Selected features will control the region for GainAuto and ExposureAuto algorithm.

### 7.4.7 AutoFeatureWidth

Width of the selected Auto Feature Region (in pixels).



<b>Name</b>	AutoFeatureWidth
<b>Category</b>	AutoFeatureControl
<b>Interface</b>	Integer
<b>Access</b>	Read / Write
<b>Unit</b>	-
<b>Values</b>	<a href="#">see chapter „7.13.27 Width“ on page 142</a>



### 7.4.8 BalanceWhiteAutoStatus

Status of BalanceWhiteAuto.

<b>Name</b>	BalanceWhiteAutoStatus	
<b>Category</b>	AutoFeatureControl	
<b>Interface</b>	IEnumeration	
<b>Access</b>	Read / Write	
<b>Unit</b>	-	
<b>Values</b>	ColorGain- sTooHigh	The BalanceWhiteAuto calculation failed since at least one of the calculated color gains exceeds the maximum value.
	Initial	BalanceWhiteAuto has never been started.
	Start	BalanceWhiteAuto is waiting for statistic data.
	Success	The last BalanceWhiteAuto calculation succeeded.
	Underrun	The BalanceWhiteAuto calculation failed since at least one color-channel shows invalid statistic data.

### 7.4.9 BrightnessAutoNominalValue

Sets the nominal value for brightness in percent of full scale. It will be adjusted with consider the setting in BrightnessAutoPriority.

<b>Name</b>	BrightnessAutoNominalValue	
<b>Category</b>	AutoFeatureControl	
<b>Interface</b>	IFloat	
<b>Access</b>	Read / Write	
<b>Unit</b>	%	
<b>Values</b>	5 - 95 (Increment: 1)	

### 7.4.10 BrightnessAutoPriority

The feature set the highest priority auto feature to adjust the brightness. If both, ExposureAuto and GainAuto, are enabled, this feature determines which one of the control-parameter ExposureTime or Gain shall be adjusted first. If the prioritized parameter exceeds the minimum or maximum limit the second parameter will be adjusted to reach the target brightness.

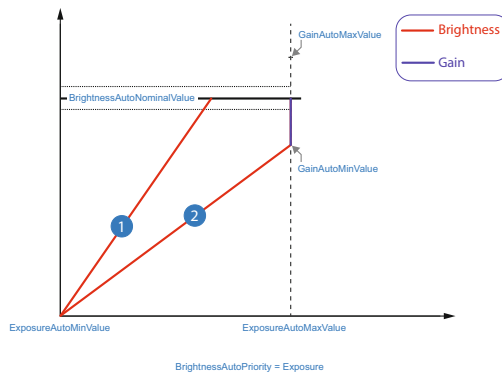
#### Notice

If BrightnessAutoPriority is set to ExposureAuto the image frame rate might be reduced due to an increased ExposureTime but the image noise will not change..

If BrightnessAutoPriority is set to GainAuto there might occur image noise due to an increased Gain but the image frame rate remains constant.

<b>Name</b>	BrightnessAutoPriority	
<b>Category</b>	AutoFeatureControl	
<b>Interface</b>	IEnumeration	
<b>Access</b>	Read / Write	
<b>Unit</b>	-	
<b>Values</b>	ExposureAuto	ExposureAuto has highest priority and will be modified first.
	GainAuto	GainAuto has highest priority and will be modified first.

### BrightnessAutoPriority = ExposureAuto



#### 1 Example 1

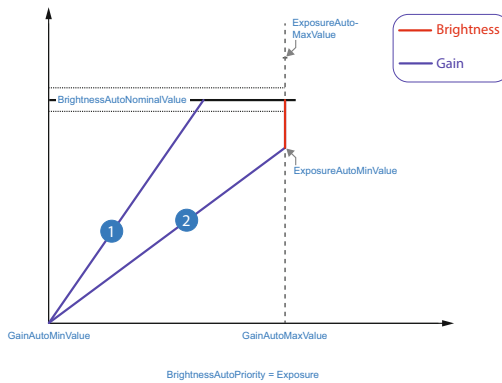
For image 1, increasing the brightness with *ExposureTime* is sufficient to achieve the *BrightnessAutoNominalValue*.

#### 2 Example 2

For image 2, increasing the brightness with *ExposureTime* is not enough to reach the value of *BrightnessAutoNominalValue*.

Therefore, the gain is increased after reaching *ExposureAutoMaxValue*.

### BrightnessAutoPriority = GainAuto



#### 1 Example 1

For image 1, increasing the brightness with *Gain* is sufficient to achieve the *BrightnessAutoNominalValue*.

#### 2 Example 2

For image 2, increasing the brightness with *Gain* is not enough to reach the value of *BrightnessAutoNominalValue*.

Therefore, the *ExposureTime* is increased after reaching *ExposureAutoMaxValue*.

## 7.4.11 ExposureAutoMaxValue

Maximal value of *ExposureTime* calculable by exposure auto algorithm.

<b>Name</b>	ExposureAutoMaxValue
<b>Category</b>	AutoFeatureControl
<b>Interface</b>	IFloat
<b>Access</b>	Read / Write
<b>Unit</b>	µs
<b>Values</b>	Adjustable value depends on the camera. <a href="#">see chapter „7.1.12 ExposureTime“ on page 49</a>

### 7.4.12 ExposureAutoMinValue

Minimal value of ExposureTime calculable by exposure auto algorithm.

<b>Name</b>	ExposureAutoMinValue
<b>Category</b>	AutoFeatureControl
<b>Interface</b>	IFloat
<b>Access</b>	Read / Write
<b>Unit</b>	µs
<b>Values</b>	Adjustable value depends on the camera. <a href="#">see chapter „7.1.12 ExposureTime“ on page 49</a>

### 7.4.13 GainAutoMaxValue

Maximum value of Gain calculable by gain auto algorithm.

<b>Name</b>	GainAutoMaxValue
<b>Category</b>	AutoFeatureControl
<b>Interface</b>	IFloat
<b>Access</b>	Read / Write
<b>Unit</b>	µs
<b>Values</b>	Adjustable value depends on the camera. <a href="#">see chapter „7.3.4 Gain“ on page 57</a>

### 7.4.14 GainAutoMinValue

Minimal value of Gain calculable by gain auto algorithm.

<b>Name</b>	GainAutoMinValue
<b>Category</b>	AutoFeatureControl
<b>Interface</b>	IFloat
<b>Access</b>	Read / Write
<b>Unit</b>	µs
<b>Values</b>	Adjustable value depends on the camera. <a href="#">see chapter „7.3.4 Gain“ on page 57</a>

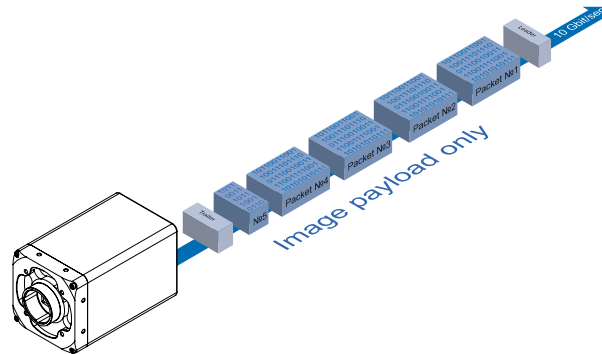
## 7.5 Category: ChunkDataControl

The chunk is a data packet that is generated by the camera and integrated into the payload (every image), if chunk mode is activated. This data include different settings for the respective image. This integrated data packet contains different image settings. Baumer GAPI can read the Image Info Header (Chunk).

There are three Chunk modes:

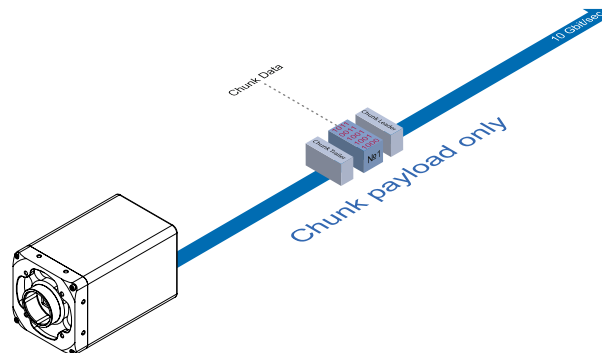
### Image Data

Only the image data is transferred, no Chunk data.



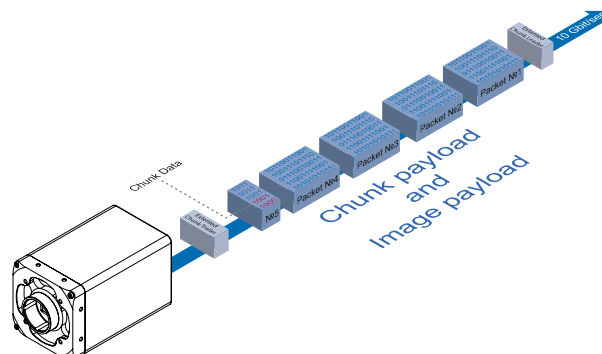
### Chunk Data

Only the chunk is transferred, no image data.



### Extended Chunk Data

Chunk data and image data is transferred. The Chunk Data are included in the last data packet.



### 7.5.1 ChunkEnable

Enables the inclusion of the selected chunk data in the payload of the image.

#### Notice

You can choose the desired chunk under *Chunk Selector*.

#### Notice

The camera must be stopped before this feature can be edited.

<b>Name</b>	ChunkEnable
<b>Category</b>	ChunkDataControl
<b>Interface</b>	IBoolean
<b>Access</b>	Read / Write
<b>Unit</b>	-
<b>Values</b>	true = 1 (On) false = 0 (Off)

### 7.5.2 ChunkModeActive

Activates the inclusion of chunk data in the payload of the image.

#### Notice

The camera must be stopped before feature can be edited.

<b>Name</b>	ChunkModeActive
<b>Category</b>	ChunkDataControl
<b>Interface</b>	IBoolean
<b>Access</b>	Read / Write
<b>Unit</b>	-
<b>Values</b>	true = 1 (On) false = 0 (Off)

### 7.5.3 ChunkSelector

Selects which chunk to enable or control.

<b>Name</b>	ChunkSelector
<b>Category</b>	ChunkDataControl
<b>Interface</b>	IEnumeration
<b>Access</b>	Read / Write
<b>Unit</b>	-
<b>Values</b>	see table below

Feature	Description
Binning (subordinate features only together selectable)	
BinningHorizontal	Number of horizontal photo-sensitive cells to combine together.
BinningHorizontalMode	Sets the mode to use to combine horizontal photo-sensitive cells together when BinningHorizontal is used.
BinningSelector	Selects which binning engine is controlled by the BinningHorizontal and BinningVertical features.
BinningVertical	Number of vertical photo-sensitive cells to combine together.
BinningVerticalMode	Sets the mode used to combine horizontal photo-sensitive cells together when BinningVertical is used.
BlackLevel	Returns the black level used to capture the image included in the payload.
CounterValue (≥ Rel. 2 only)	Returns the current value of the selected Counter.
DeviceTemperature	Device temperature in degrees Celsius (C). It is measured at the location selected by DeviceTemperatureSelector.
ExposureTime	Returns the exposure time used to capture the image.
FrameID	Returns the unique Identifier of the frame (or image) included in the payload.
Gain	Returns the gain used to capture the image.
Height	Returns the height of the image included in the payload.
Image	Transmits the Image data in chunk block.
ImageControl (subordinate features only together selectable)	
DefectPixelCorrection	On/Off the correction of defect pixels.
FixedPatternNoise	On/ Off the Fixed pattern noise correction.
ReverseX	On/Off Flip horizontally the image sent by the device. The Region of interest is applied after the flipping.
ReverseY	On/Off Flip vertically the image sent by the device. The Region of interest is applied after the flipping.
LineStatusAll	Returns the current status of all available Line signals at time of polling in a single bitfield.
OffsetX	Horizontal offset from the origin to the area of interest (in pixels).
OffsetY	Vertical offset from the origin to the area of interest (in pixels).
PixelFormat	Returns the pixel format of the image included in the payload.
SequencerSetActive	Returns the active sequencer set.
Timestamp	Returns the Timestamp of the image included in the payload at the time of the FrameStart internal event.
TriggerID (Rel. 2 only)	Returns the Trigger ID and the Trigger Source.  The Trigger ID counts the incoming triggers of the signal selected at <i>TriggerSource</i> . When the signal <i>Action1</i> is selected, the Request ID and the Source IP of the triggering device are output.
TriggerControl (≥ Rel. 3) (subordinate features only together selectable)	Returns ActionRequestID, ActionSourceIP, Timestamp, TriggerCounter and TriggerSource.
Width	Returns the width of the image included in the payload.

## 7.6 Category: ColorTransformationControl (color cameras only)

Category that contains the Color Transformation control features.

Oversimplified, color processing is realized by 4 modules.

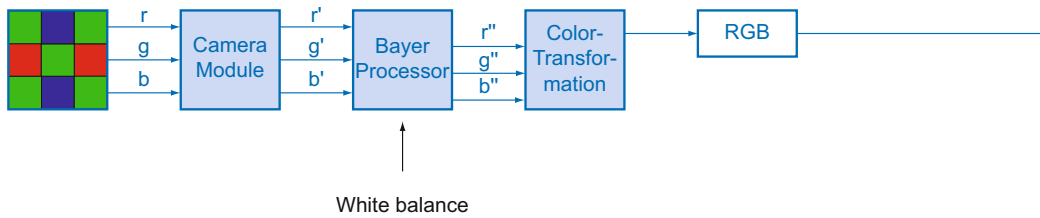


Figure 11: Color processing modules of color cameras.

The color signals r (red), g (green) and b (blue) of the sensor are amplified in total and digitized within the camera module.

Within the Bayer processor, the raw signals r', g' and b' are amplified by using of independent factors for each color channel. Then the missing color values are interpolated, which results in new color values (r'', g'', b'').

The next step is the color transformation. Here the previously generated color signals r'', g'' and b'' are converted to optimized RGB (Color adjustment as physical balance of the spectral sensitivities).

### 7.6.1 ColorTransformationAuto

Controls the mode for automatic adjusting the gains of the active transformation matrix.

<b>Name</b>	ColorTransformationAuto	
<b>Category</b>	ColorTransformationControl	
<b>Interface</b>	IEnumeration	
<b>Access</b>	Read / Write	
<b>Unit</b>	-	
<b>Values</b>	Continuous	Color transformation is constantly adjusted by the device.
	Off	Color transformation is user controlled using the various Colortransformation features
	Once	Color transformation is automatically adjusted once by the device. Once it has converged, it automatically returns to the Off state.

### 7.6.2 ColorTransformationEnable

Activates the selected Color Transformation module.

<b>Name</b>	ColorTransformationEnable	
<b>Category</b>	ColorTransformationControl	
<b>Interface</b>	IBoolean	
<b>Access</b>	Read only	
<b>Unit</b>	-	
<b>Values</b>	true = 1 (On)	
	false = 0 (Off)	

### 7.6.3 ColorTransformationFactoryListSelector

Selects the OptimizedMatrix for the desired color temperature.

<b>Name</b>	ColorTransformationFactoryListSelector	
<b>Category</b>	ColorTransformationControl	
<b>Interface</b>	IEnumeration	
<b>Access</b>	Read / Write	
<b>Unit</b>	-	
<b>Values</b>	OptimizedMatrix-For3000K	Matrix is tuned to the color temperature of 3000K.
	OptimizedMatrix-For5000K (≥ Rel. 2 only)	Matrix is tuned to the color temperature of 5000K.
	OptimizedMatrix-For6500K	Matrix is tuned to the color temperature of 6500K.
	OptimizedMatrix-For9500K (≥ Rel. 2 only)	Matrix is tuned to the color temperature of 9500K.

### 7.6.4 ColorTransformationOutputColorSpace (≥ Release 2 only)

Returns the color space of the camera.

<b>Name</b>	ColorTransformationOutputColorSpace
<b>Category</b>	ColorTransformationControl
<b>Interface</b>	IString
<b>Access</b>	Read only
<b>Unit</b>	-
<b>Values</b>	Color space (sRGB Gamma 1)

### 7.6.5 ColorTransformationResetToFactoryList

Resets the ColorTransformation to the selected ColorTransformationFactoryList.

<b>Name</b>	ColorTransformationResetToFactoryList
<b>Category</b>	ColorTransformationControl
<b>Interface</b>	ICommand
<b>Access</b>	Write only
<b>Unit</b>	-
<b>Values</b>	-



### 7.6.6 ColorTransformationValue

Represents the value of the selected Gain factor inside the Transformation matrix.

<b>Name</b>	ColorTransformationValue
<b>Category</b>	ColorTransformationControl
<b>Interface</b>	IFloat
<b>Access</b>	Read / Write
<b>Unit</b>	-
<b>Values</b>	-8.0 – 8.0 (Increment: 1.00)

### 7.6.7 ColorTransformationValueSelector

Selects the Gain factor of the Transformation matrix to access in the selected Color Transformation module.

<b>Name</b>	ColorTransformationValueSelector
<b>Category</b>	ColorTransformationControl
<b>Interface</b>	IEnumeration
<b>Access</b>	Read / Write
<b>Unit</b>	-
<b>Values</b>	<ul style="list-style-type: none"><li>▪ Gain00</li><li>▪ Gain01</li><li>▪ Gain02</li><li>▪ Gain10</li><li>▪ Gain11</li><li>▪ Gain12</li><li>▪ Gain20</li><li>▪ Gain21</li><li>▪ Gain22</li></ul>

## 7.7 Category: CounterAndTimerControl

This chapter lists all features that relates to control and monitoring of Counters and Timers.

### 7.7.1 CounterDuration

Sets the duration (or number of events) before the CounterEnd event is generated.

When the counter reaches the CounterDuration value, a CounterEnd event is generated, the CounterActive signal becomes inactive and the counter stops counting until a new trigger happens or it is explicitly reset with CounterReset.

<b>Name</b>	CounterDuration
<b>Category</b>	CounterAndTimerControl
<b>Interface</b>	IInteger
<b>Access</b>	Read / Write
<b>Unit</b>	-
<b>Values</b>	0 ... 65535 (Increment: 1)

### 7.7.2 CounterEventActivation

Selects the Activation mode Event Source signal.

<b>Name</b>	CounterEventActivation	
<b>Category</b>	CounterAndTimerControl	
<b>Interface</b>	IEumeration	
<b>Access</b>	Read / Write	
<b>Unit</b>	-	
<b>Values</b>	RisingEdge	Counts on the Rising Edge of the signal.
	FallingEdge	Counts on the Falling Edge of the signal.
	AnyEdge	Counts on the Falling or rising Edge of the selected signal.

### 7.7.3 CounterEventSource

Selects the signals that will be the source to reset the Counter.

<b>Name</b>	CounterEventSource	
<b>Category</b>	CounterAndTimerControl	
<b>Interface</b>	IEumeration	
<b>Access</b>	Read / Write	
<b>Unit</b>	-	
<b>Values</b>	Counter1End	Counts the number of Counter End.
	Counter2End	Counts the number of Counter End.
	ExposureActive	Counts all Exposures.
	FrameTransferSkipped	Counts when a frame transfer skipped.
	FrameTrigger	Counts the number of Frame Start Trigger.
	Line0 (≥ Rel. 2 only)	Counts by the chosen I/O Line.
	Line1 (≥ Rel. 2 only)	Counts by the chosen I/O Line.
	Off	Disable the Counter Reset trigger.
	TriggerSkipped	Counts when a Trigger skipped.

### 7.7.4 CounterReset

Does a software reset of the selected Counter and starts it. The counter starts counting events immediately after the reset unless a Counter trigger is active. CounterReset can be used to reset the Counter independently from the CounterResetSource. To disable the counter temporarily, set CounterEventSource to Off.

<b>Notice</b>
Note that the value of the Counter at time of reset is automatically latched and reflected in the <i>CounterValueAtReset</i> .

<b>Name</b>	CounterReset	
<b>Category</b>	CounterAndTimerControl	
<b>Interface</b>	ICommand	
<b>Access</b>	Write only	
<b>Unit</b>	-	
<b>Values</b>	-	

### 7.7.5 CounterResetActivation

Selects the Activation mode of the Counter Reset Source signal.

<b>Name</b>	CounterResetActivation	
<b>Category</b>	CounterAndTimerControl	
<b>Interface</b>	IEumeration	
<b>Access</b>	Read / Write	
<b>Unit</b>	-	
<b>Values</b>	RisingEdge	Resets the counter on the Rising Edge of the signal.
	FallingEdge	Resets the counter on the Falling Edge of the signal.
	AnyEdge	Resets the counter on the Falling or rising Edge of the selected signal.

### 7.7.6 CounterResetSource

Selects the signals that will be the source to reset the Counter.

<b>Name</b>	CounterResetSource	
<b>Category</b>	CounterAndTimerControl	
<b>Interface</b>	IEumeration	
<b>Access</b>	Read / Write	
<b>Unit</b>	-	
<b>Values</b>	Counter1End	Resets with the reception of the Counter End.
	Counter2End	Resets with the reception of the Counter End.
	Line0 (≥ Rel. 2 only)	Resets by the chosen I/O Line.
	Line1 (≥ Rel. 2 only)	Resets by the chosen I/O Line.
	Off	Disable the Counter Reset trigger.

### 7.7.7 CounterSelector

Selects which Counter to configure.

<b>Name</b>	CounterSelector	
<b>Category</b>	CounterAndTimerControl	
<b>Interface</b>	IEumeration	
<b>Access</b>	Read / Write	
<b>Unit</b>	-	
<b>Values</b>	Counter1	Selects the counter 1.
	Counter2	Selects the counter 2.

### 7.7.8 CounterValue

Reads or writes the current value of the selected Counter. Writing to CounterValue is typically used to set the start value.

<b>Name</b>	CounterValue
<b>Category</b>	CounterAndTimerControl
<b>Interface</b>	Integer
<b>Access</b>	Read / Write
<b>Unit</b>	-
<b>Values</b>	0 ... 65535 (Increment: 1)

### 7.7.9 CounterValueAtReset

Reads the value of the selected Counter when it was reset by a trigger or by an explicit CounterReset command.

It represents the last counter value latched before resetting the counter.

<b>Name</b>	CounterValueAtReset
<b>Category</b>	CounterAndTimerControl
<b>Interface</b>	Integer
<b>Access</b>	Read only
<b>Unit</b>	-
<b>Values</b>	0 ... 65535 (Increment: 1)

### 7.7.10 FrameCounter

The FrameCounter is part of the Baumer Image Info Header (chunk) and is added to every image if chunk mode is activated. It is generated by the hardware and can be used to verify that each of the camera's images is transmitted to the PC and received in the right order.

It is possible to set the FrameCounter to a specific value by write this value to the FrameCounter.

<b>Name</b>	FrameCounter
<b>Category</b>	CounterAndTimerControl
<b>Interface</b>	Integer
<b>Access</b>	Read / Write
<b>Unit</b>	-
<b>Values</b>	0 ... 4294967295 (Increment: 1)

### 7.7.11 TimerDelay

Sets the duration (in microseconds) of the delay to apply at the reception of a trigger before starting the Timer.

<b>Name</b>	TimerDelay
<b>Category</b>	CounterAndTimer
<b>Interface</b>	IFloat
<b>Access</b>	Read / Write
<b>Unit</b>	µs
<b>Values</b>	0 ... 2,000,000.000000 (Increment: 1.00)

### 7.7.12 TimerDuration

Sets the duration (in microseconds) of the Timer pulse.

<b>Name</b>	TimerDuration
<b>Category</b>	CounterAndTimer
<b>Interface</b>	IFloat
<b>Access</b>	Read / Write
<b>Unit</b>	µs
<b>Values</b>	10.000000 ... 2,000,000.000000 (Increment: 1.00)

### 7.7.13 TimerSelector

Selects which Timer to configure.

<b>Name</b>	TimerSelector
<b>Category</b>	CounterAndTimerControl
<b>Interface</b>	IEumeration
<b>Access</b>	Read / Write
<b>Unit</b>	-
<b>Values</b>	Timer1      Selects the Timer 1.

### 7.7.14 TimerTriggerActivation

Selects the activation mode of the trigger to start the Timer.

<b>Name</b>	TimerTriggerActivation	
<b>Category</b>	CounterAndTimerControl	
<b>Interface</b>	IEumeration	
<b>Access</b>	Read / Write	
<b>Unit</b>	-	
<b>Values</b>	RisingEdge	Starts counting on the Rising Edge of the selected trigger signal.
	FallingEdge	Starts counting on the Falling Edge of the selected trigger signal.
	AnyEdge	Starts counting on the Falling or Rising Edge of the selected trigger signal.

### 7.7.15 TimerTriggerSource

Selects the source of the trigger to start the Timer.

<b>Name</b>	TimerTriggerSource	
<b>Category</b>	CounterAndTimerControl	
<b>Interface</b>	IEumeration	
<b>Access</b>	Read / Write	
<b>Unit</b>	-	
<b>Values</b>	Action1	Starts with the assertion of the chosen action signal.
	ExposureEnd	Starts with the reception of the Exposure End.
	ExposureStart	Starts with the reception of the Exposure Start.
	FrameTransfer-Skipped	Frame Transfer Skipped.
	Line0	Starts when the specified TimerTriggerActivation condition is met on the chosen I/O Line.
	Line1	Starts when the specified TimerTriggerActivation condition is met on the chosen I/O Line.
	Off	Disables the Timer trigger.
	Software	Starts when the trigger was generated by the software.
	TriggerSkipped	Starts when a trigger was skipped.

## 7.8 Category: CustomDataControl (≥ Release 2 only)

The feature contains the category of the custom data related features.

### 7.8.1 CustomData

The feature holds one byte of custom special data.

<b>Name</b>	CustomData
<b>Category</b>	CustomDataControl
<b>Interface</b>	Integer
<b>Access</b>	Read / Write
<b>Unit</b>	-
<b>Values</b>	0x0 ... 0xFF (Increment: 1)

### 7.8.2 CustomDataConfigurationMode

Controls if the custom data configuration mode is active.

<b>Name</b>	CustomDataConfigurationMode
<b>Category</b>	CustomDataControl
<b>Interface</b>	IEnumeration
<b>Access</b>	Read / Write
<b>Unit</b>	-
<b>Values</b>	Off            Disables the custom data configuration mode. On             Enables the custom data configuration mode.

### 7.8.3 CustomDataSelector

The feature selects the index of the custom data byte array.

<b>Name</b>	CustomDataSelector
<b>Category</b>	CustomDataControl
<b>Interface</b>	Integer
<b>Access</b>	Read / Write
<b>Unit</b>	-
<b>Values</b>	0 ... 127 (Increment: 1)

## 7.9 Category: DeviceControl

Category for device information and control.

### 7.9.1 DeviceCharacterSet

Character set used by the strings of the device's bootstrap registers.

<b>Name</b>	DeviceCharacterSet
<b>Category</b>	DeviceControl
<b>Interface</b>	IEnumeration
<b>Access</b>	Read only
<b>Unit</b>	-
<b>Values</b>	UTF8      Device uses UTF8 character set.

### 7.9.2 DeviceEventChannelCount

Indicates the number of event channels supported by the device.

<b>Name</b>	DeviceEventChannelCount
<b>Category</b>	DeviceControl
<b>Interface</b>	IInteger
<b>Access</b>	Read only
<b>Unit</b>	-
<b>Values</b>	0 ... 4294967295 (Increment: 1)

### 7.9.3 DeviceFamilyName

Identifier of the product family of the device.

<b>Name</b>	DeviceFamilyName
<b>Category</b>	DeviceControl
<b>Interface</b>	IString
<b>Access</b>	Read only
<b>Unit</b>	-
<b>Values</b>	device family name (e.g. VLXT)



#### 7.9.4 DeviceFirmwareVersion

Version of the firmware in the device.

<b>Name</b>	DeviceFirmwareVersion
<b>Category</b>	DeviceControl
<b>Interface</b>	IString
<b>Access</b>	Read only
<b>Unit</b>	-
<b>Values</b>	e.g. CID:012004/PID:11208326

#### 7.9.5 DeviceFrontUARTSource (≥ Release 3 only)

Source control of frontside UART interface.

<b>Name</b>	DeviceFrontUARTSource
<b>Category</b>	DeviceControl
<b>Interface</b>	IEnumeration
<b>Access</b>	Read / Write
<b>Unit</b>	-
<b>Values</b>	OpticControl Front side UART interface is used for optic control. RS232 Front side UART interface is used as RS232 interface.

#### 7.9.6 DeviceLinkCommandTimeout

Indicates the current command timeout of the specific Link.

<b>Name</b>	DeviceLinkCommandTimeout
<b>Category</b>	DeviceControl
<b>Interface</b>	IFloat
<b>Access</b>	Read only
<b>Unit</b>	µs
<b>Values</b>	200,000.000000 (Increment: 1)

#### 7.9.7 DeviceLinkHeartbeatMode

Activate or deactivate the Link's heartbeat.

<b>Name</b>	DeviceLinkHeartbeatMode
<b>Category</b>	DeviceControl
<b>Interface</b>	IEnumeration
<b>Access</b>	Read / Write
<b>Unit</b>	-
<b>Values</b>	On Enables the Link heartbeat. Off Disables the Link heartbeat.

### 7.9.8 DeviceLinkHeartbeatTimeout

Controls the current heartbeat timeout of the specific Link.

<b>Name</b>	DeviceLinkHeartbeatTimeout
<b>Category</b>	DeviceControl
<b>Interface</b>	IFloat
<b>Access</b>	Read / Write
<b>Unit</b>	µs
<b>Values</b>	500,000.000000 ... 4,294,967,295,000.000000 (Increment: 1)

### 7.9.9 DeviceLinkSelector

Selects which Link of the device to control.

Generally, a device has only one Link that can be composed of one or many connections. But if there are many, this selector can be used to target a particular Link of the device with certain features.

<b>Name</b>	DeviceLinkSelector
<b>Category</b>	DeviceControl
<b>Interface</b>	Integer
<b>Access</b>	Read / Write
<b>Unit</b>	-
<b>Values</b>	0 ... 0 (Increment: 1)

### 7.9.10 DeviceLinkSpeed

Indicates the speed of transmission negotiated on the specified link.

<b>Name</b>	DeviceLinkSpeed
<b>Category</b>	DeviceControl
<b>Interface</b>	Integer
<b>Access</b>	Read only
<b>Unit</b>	Bps
<b>Values</b>	0 ... 9223372036854775807 (Increment: 1)

### 7.9.11 DeviceLinkThroughputLimit

Limits the maximum bandwidth of the data that will be streamed out by the device on the selected Link. If necessary, delays will be uniformly inserted between transport layer packets in order to control the peak bandwidth.

<b>Name</b>	DeviceLinkThroughputLimit
<b>Category</b>	DeviceControl
<b>Interface</b>	Integer
<b>Access</b>	Read / Write
<b>Unit</b>	Bps
<b>Values</b>	1250000 ... 125000000 (Increment: 1)

### 7.9.12 DeviceManufacturerInfo

Manufacturer information about the device.

The content might look as follows:

Firmware (F) / FPGA (C) / BL3-Version (BL)

<b>Name</b>	DeviceManufacturerInfo
<b>Category</b>	DeviceControl
<b>Interface</b>	IString
<b>Access</b>	Read only
<b>Unit</b>	-
<b>Values</b>	e. g. F:0200BBD4/C:0200BCFC/BL3.8:0200BAB4

### 7.9.13 DeviceModelName

Model of the device.

<b>Name</b>	DeviceModelName
<b>Category</b>	DeviceControl
<b>Interface</b>	IString
<b>Access</b>	Read only
<b>Unit</b>	-
<b>Values</b>	e.g. VLXT-90C.I

### 7.9.14 DeviceRegistersEndianness

Endianness of the register of the device.

<b>Name</b>	DeviceRegistersEndianness
<b>Category</b>	DeviceControl
<b>Interface</b>	IEnumeration
<b>Access</b>	Read only
<b>Unit</b>	-
<b>Values</b>	Big            Device registers are big Endian.

### 7.9.15 DeviceReset

The Device Reset feature corresponds with the camera's switched on and switched off states. Using this means it is no longer necessary to disconnect the power supply.

#### Notice

The execution of this feature may take several seconds.

<b>Name</b>	DeviceReset
<b>Category</b>	DeviceControl
<b>Interface</b>	ICommand
<b>Access</b>	Write only
<b>Unit</b>	-
<b>Values</b>	-

### 7.9.16 DeviceResetToDeliveryState

By executing this feature, the camera is set to the factory settings. The settings stored in the camera (e.g. *UserSets*) will be lost.

<b>Name</b>	DeviceResetToDeliveryState
<b>Category</b>	DeviceControl
<b>Interface</b>	ICommand
<b>Access</b>	Write only
<b>Unit</b>	-
<b>Values</b>	-

### 7.9.17 DeviceSFNCVersionMajor

Major version of the Standard Features Naming Convention that was used to create the device's GenICam XML.

<b>Name</b>	DeviceSFNCVersionMajor
<b>Category</b>	DeviceControl
<b>Interface</b>	Integer
<b>Access</b>	Read only
<b>Unit</b>	-
<b>Values</b>	0 ... 9223372036854775807 (Increment: 1)

### 7.9.18 DeviceSFNCVersionMinor

Minor version of the Standard Features Naming Convention that was used to create the device's GenICam XML.

<b>Name</b>	DeviceSFNCVersionMinor
<b>Category</b>	DeviceControl
<b>Interface</b>	Integer
<b>Access</b>	Read only
<b>Unit</b>	-
<b>Values</b>	0 ... 9223372036854775807 (Increment: 1)

### 7.9.19 DeviceSFNCVersionSubMinor

Sub minor version of the Standard Features Naming Convention that was used to create the device's GenICam XML.

<b>Name</b>	DeviceSFNCVersionSubMinor
<b>Category</b>	DeviceControl
<b>Interface</b>	Integer
<b>Access</b>	Read only
<b>Unit</b>	-
<b>Values</b>	0 ... 9223372036854775807 (Increment: 1)

### 7.9.20 DeviceScanType

Scan type of the sensor of the device.

<b>Name</b>	DeviceScanType
<b>Category</b>	DeviceControl
<b>Interface</b>	IEnumeration
<b>Access</b>	Read only
<b>Unit</b>	-
<b>Values</b>	Areascan    2D Sensor.

### 7.9.21 DeviceSensorType

This feature specifies the type of the sensor.

<b>Name</b>	DeviceSensorType
<b>Category</b>	DeviceControl
<b>Interface</b>	IEnumeration
<b>Access</b>	Read only
<b>Unit</b>	-
<b>Values</b>	CMOS    CMOS sensor.

### 7.9.22 DeviceSerialNumber

Device's serial number. This string is a unique identifier of the device.

<b>Name</b>	DeviceSerialNumber
<b>Category</b>	DeviceControl
<b>Interface</b>	IString
<b>Access</b>	Read only
<b>Unit</b>	-
<b>Values</b>	e.g. 1117281217

### 7.9.23 DeviceStreamChannelCount

Indicates the number of streaming channels supported by the device.

<b>Name</b>	DeviceStreamChannelCount
<b>Category</b>	DeviceControl
<b>Interface</b>	Integer
<b>Access</b>	Read only
<b>Unit</b>	-
<b>Values</b>	0 ... 4294967295 (Increment: 1)

### 7.9.24 DeviceStreamChannelEndianness

Endianness of multi-byte pixel data for this stream.

<b>Name</b>	DeviceStreamChannelEndianness
<b>Category</b>	DeviceControl
<b>Interface</b>	IEnumeration
<b>Access</b>	Read / Write
<b>Unit</b>	-
<b>Values</b>	Little      Endianness of multi-byte pixel data for this stream is little Endian.

### 7.9.25 DeviceStreamChannelPacketSize

Specifies the stream packet size, in bytes, to send on the selected channel for a Transmitter or specifies the maximum packet size supported by a receiver.

<b>Name</b>	DeviceStreamChannelPacketSize
<b>Category</b>	DeviceControl
<b>Interface</b>	Integer
<b>Access</b>	Read only
<b>Unit</b>	Byte
<b>Values</b>	576 ... 9000 (Increment: 2)

### 7.9.26 DeviceStreamChannelSelector

Selects the stream channel to control.

<b>Name</b>	DeviceStreamChannelSelector
<b>Category</b>	DeviceControl
<b>Interface</b>	Integer
<b>Access</b>	Read / Write
<b>Unit</b>	-
<b>Values</b>	0 ... 0 (Increment: 1)

### 7.9.27 DeviceStreamChannelType

Reports the type of the stream channel.

<b>Name</b>	DeviceStreamChannelType
<b>Category</b>	DeviceControl
<b>Interface</b>	IEnumeration
<b>Access</b>	Read only
<b>Unit</b>	-
<b>Values</b>	Transmitter    Data stream transmitter channel.

### 7.9.28 DeviceTLType

Transport Type of the device.

<b>Name</b>	DeviceTLType
<b>Category</b>	DeviceControl
<b>Interface</b>	IEnumeration
<b>Access</b>	Read only
<b>Unit</b>	-
<b>Values</b>	GigEVision

### 7.9.29 DeviceTLVersionMajor

Major version of the Transport Layer (GigE Vision® version) of the device.

<b>Name</b>	DeviceTLVersionMajor
<b>Category</b>	DeviceControl
<b>Interface</b>	Integer
<b>Access</b>	Read only
<b>Unit</b>	-
<b>Values</b>	0 ... 65535 (Increment: 1)

### 7.9.30 DeviceTLVersionMinor

Minor version of the Transport Layer (GigE Vision® version) of the device.

<b>Name</b>	DeviceTLVersionMinor
<b>Category</b>	DeviceControl
<b>Interface</b>	Integer
<b>Access</b>	Read only
<b>Unit</b>	-
<b>Values</b>	0 ... 65535 (Increment: 1)

### 7.9.31 DeviceTLVersionSubMinor

Minor version of the Transport Layer (GigE Vision® version) of the device.

<b>Name</b>	DeviceTLVersionSubMinor
<b>Category</b>	DeviceControl
<b>Interface</b>	Integer
<b>Access</b>	Read only
<b>Unit</b>	-
<b>Values</b>	0 ... 9223372036854775807 (Increment: 1)

### 7.9.32 DeviceTemperature

Device temperature in degrees Celsius (C). It is measured at the location selected by *Device Temperature Selector*.

<b>Name</b>	DeviceTemperature
<b>Category</b>	DeviceControl
<b>Interface</b>	IFloat
<b>Access</b>	Read only
<b>Unit</b>	°C
<b>Values</b>	-127.0 ... 127.0

### 7.9.33 DeviceTemperatureExceeded

Returns if the device operates in critical temperature range.

<b>Name</b>	DeviceTemperatureExceeded
<b>Category</b>	DeviceControl
<b>Interface</b>	Boolean
<b>Access</b>	Read only
<b>Unit</b>	-
<b>Values</b>	true = 1 (On) false = 0 (Off)



### 7.9.34 DeviceTemperatureSelector

Selects the location within the device, where the temperature will be measured.

<b>Name</b>	DeviceTemperatureSelector
<b>Category</b>	DeviceControl
<b>Interface</b>	IEnumeration
<b>Access</b>	Read / Write
<b>Unit</b>	-
<b>Values</b>	InHouse      Temperature inside the camera housing.

### 7.9.35 DeviceTemperatureStatus

Returns the current temperature status of the device.

<b>Name</b>	DeviceTemperatureStatus
<b>Category</b>	DeviceControl
<b>Interface</b>	IEnumeration
<b>Access</b>	Read only
<b>Unit</b>	-
<b>Values</b>	Exceeded      Device operates in critical temperature range. High            Device operates in increased temperature range. Normal         Device operates in normal temperature range.

### 7.9.36 DeviceTemperatureStatusTransition

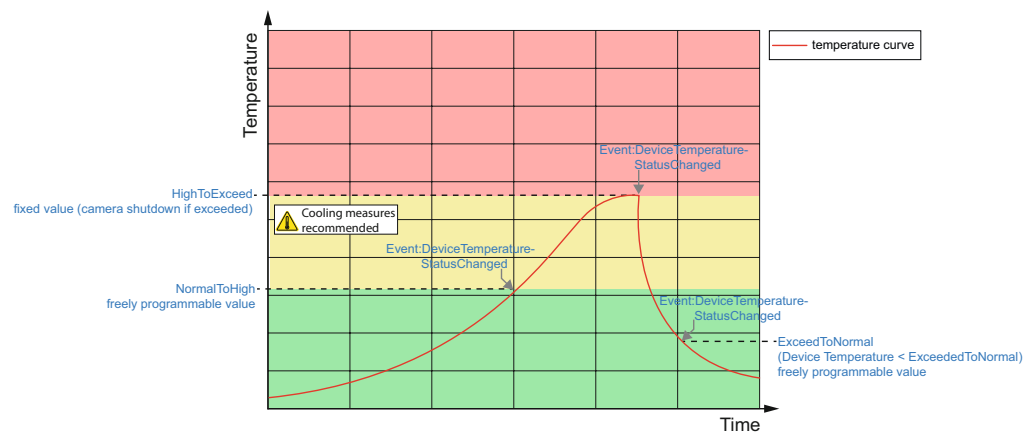
Temperature threshold for selected status transition in degrees Celsius (C).

<b>Name</b>	DeviceTemperatureStatusTransition
<b>Category</b>	DeviceControl
<b>Interface</b>	IInteger
<b>Access</b>	Read / Write
<b>Unit</b>	°C
<b>Values</b>	-126.0 ... 71.0

### 7.9.37 DeviceTemperatureStatusTransitionSelector

Selects which temperature transition is controlled by the DeviceTemperatureStatusTransition feature.

<b>Name</b>	DeviceTemperatureStatusTransitionSelector	
<b>Category</b>	DeviceControl	
<b>Interface</b>	IEnumeration	
<b>Access</b>	Read / Write	
<b>Unit</b>	-	
<b>Values</b>	Exceeded-ToNormal	Temperature threshold for transition from status Exceeded back to status Normal.
	HighToExceeded	Temperature threshold for transition from status High to status Exceeded.
	NormalToHigh	Temperature threshold for transition from status Normal to status High.



### 7.9.38 DeviceType

Returns the device type.

<b>Name</b>	DeviceType	
<b>Category</b>	DeviceControl	
<b>Interface</b>	IEnumeration	
<b>Access</b>	Read only	
<b>Unit</b>	-	
<b>Values</b>	Transmitter	Data stream transmitter device.

### 7.9.39 DeviceUserID

User-programmable device identifier.

<b>Name</b>	DeviceUserID	
<b>Category</b>	DeviceControl	
<b>Interface</b>	IString	
<b>Access</b>	Read / Write	
<b>Unit</b>	-	
<b>Values</b>	e.g. "camera 1" (max. length 64)	

### 7.9.40 DeviceVendorName

Name of the manufacturer of the device.

<b>Name</b>	DeviceVendorName
<b>Category</b>	DeviceControl
<b>Interface</b>	IString
<b>Access</b>	Read only
<b>Unit</b>	-
<b>Values</b>	Name of the camera manufacturer

### 7.9.41 DeviceVersion

Version of the device.

<b>Name</b>	DeviceVersion
<b>Category</b>	DeviceControl
<b>Interface</b>	IString
<b>Access</b>	Read only
<b>Unit</b>	-
<b>Values</b>	e.g. R1.0.0

### 7.9.42 ReadOutTime

Readout time in  $\mu\text{s}$  for current format settings.

#### Notice

Read Out Time depends on:

- OffsetY
- Height
- PixelFormat
- SensorBinning

<b>Name</b>	ReadOutTime
<b>Category</b>	DeviceControl
<b>Interface</b>	IInteger
<b>Access</b>	Read only
<b>Unit</b>	$\mu\text{s}$
<b>Values</b>	0 ... 65535 (Increment: 1)

### 7.9.43 TimestampLatch

Latches the current timestamp counter into *TimestampLatchValue*.

<b>Name</b>	TimestampLatch
<b>Category</b>	DeviceControl
<b>Interface</b>	ICommand
<b>Access</b>	Write only
<b>Unit</b>	-
<b>Values</b>	-

### 7.9.44 TimestampLatchValue

Returns the latched value of the timestamp counter.

<b>Name</b>	TimestampLatchValue
<b>Category</b>	DeviceControl
<b>Interface</b>	IInteger
<b>Access</b>	Read only
<b>Unit</b>	ns
<b>Values</b>	0 ... 9223372036854775807 (Increment: 8)

### 7.9.45 TimestampLatchValuePtpDays (≥ Release 2 only)

The feature returns the latched value of the Ptp timestamp in days since 01.01.1970 00:00:00.

<b>Name</b>	TimestampLatchValuePtpDays
<b>Category</b>	DeviceControl
<b>Interface</b>	IInteger
<b>Access</b>	Read only
<b>Unit</b>	-
<b>Values</b>	0 ... 9223372036854775807 (Increment: 1)

### 7.9.46 TimestampLatchValuePtpHours (≥ Release 2 only)

The feature returns the latched value of the Ptp timestamp in hours since 00:00 AM.

<b>Name</b>	TimestampLatchValuePtpHours
<b>Category</b>	DeviceControl
<b>Interface</b>	IInteger
<b>Access</b>	Read only
<b>Unit</b>	-
<b>Values</b>	0 ... 23 (Increment: 1)

### 7.9.47 TimestampLatchValuePtpMinutes (≥ Release 2 only)

The feature returns the latched value of the Ptp timestamp in minutes since the last hour.

<b>Name</b>	TimestampLatchValuePtpMinutes
<b>Category</b>	DeviceControl
<b>Interface</b>	Integer
<b>Access</b>	Read only
<b>Unit</b>	-
<b>Values</b>	0 ... 59 (Increment: 1)

### 7.9.48 TimestampLatchValuePtpSeconds (≥ Release 2 only)

The feature returns the latched value of the Ptp timestamp counters in seconds since the last minute.

<b>Name</b>	TimestampLatchValuePtpSeconds
<b>Category</b>	DeviceControl
<b>Interface</b>	Integer
<b>Access</b>	Read only
<b>Unit</b>	s
<b>Values</b>	0 ... 59 (Increment: 1)

### 7.9.49 TimestampLatchValuePtpNanoseconds (≥ Release 2 only)

The feature returns the latched value of the Ptp timestamp in nanoseconds since the last second.

<b>Name</b>	TimestampLatchValuePtpNanoseconds
<b>Category</b>	DeviceControl
<b>Interface</b>	Integer
<b>Access</b>	Read only
<b>Unit</b>	ns
<b>Values</b>	0 ... 999999999 (Increment: 1)

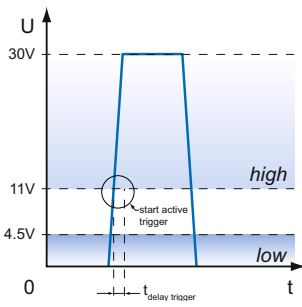
### 7.9.50 TimestampReset

Resets the current value of the device timestamp counter.

<b>Name</b>	TimestampReset
<b>Category</b>	DeviceControl
<b>Interface</b>	ICommand
<b>Access</b>	Write only
<b>Unit</b>	-
<b>Values</b>	-

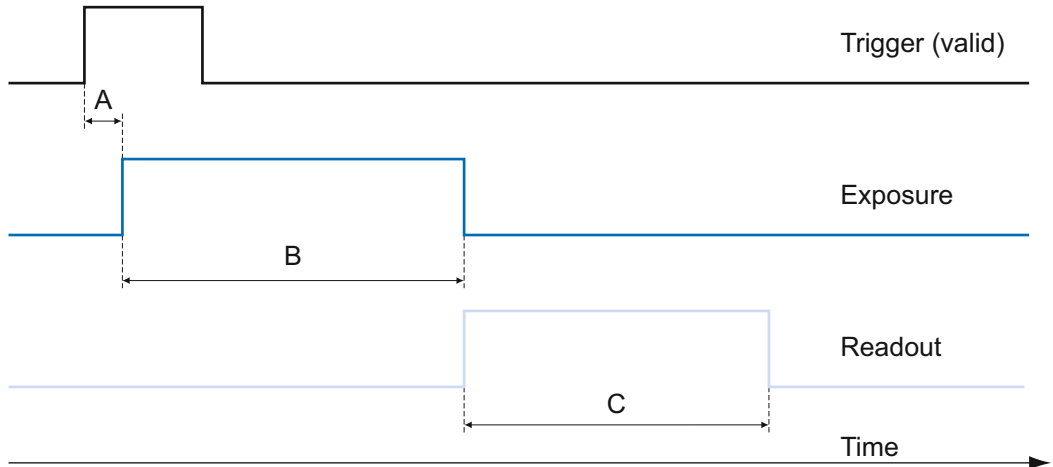
## 7.10 Category: DigitalIOControl

The Digital I/O chapter covers the features required to control the general Input and Output signals of the device.



### Trigger (Line Selector → Line 0 / Line 1) (General Information)

Trigger signals are used to synchronize the camera exposure and a machine cycle or, in case of a software trigger, to take images at predefined time intervals.



- A - Trigger delay
- B - Exposure time
- C - Readout time

Different trigger sources can be used here.

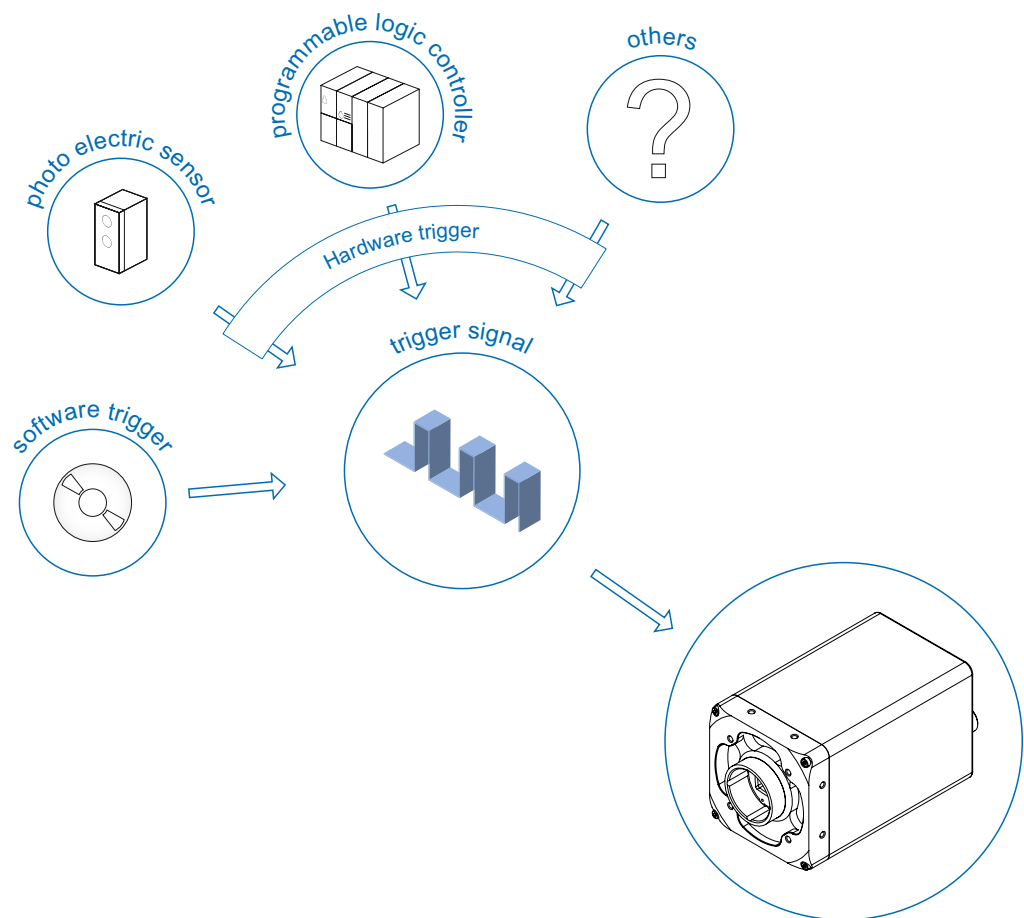
#### Trigger Delay:

The trigger delay is a flexible user-defined delay between the given trigger impulse and the image capture. The delay time can be set between 0.0  $\mu$ s and 2.0 s in increments of 1  $\mu$ s. Where there are multiple triggers during the delay, the triggers will also be stored and delayed. The buffer is able to store up to 512 trigger signals during the delay.

Your benefits:

- No need for an external trigger sensor to be perfectly aligned
- Different objects can be captured without hardware changes

### Trigger Source (Examples of possible trigger sources)



Each trigger source must be activated separately. When the trigger mode is activated, the hardware trigger is activated by default.

## Debouncer (LineDebouncerHighTimeAbs / LineDebouncerLowTimeAbs)

The basic idea behind this feature was to separate interfering signals (short peaks) from valid square wave signals, which can be important in industrial environments. Debouncing means that invalid signals are filtered out, and signals lasting longer than a user-defined testing time  $t_{\text{DebounceHigh}}$  will be recognized and routed to the camera to induce a trigger.

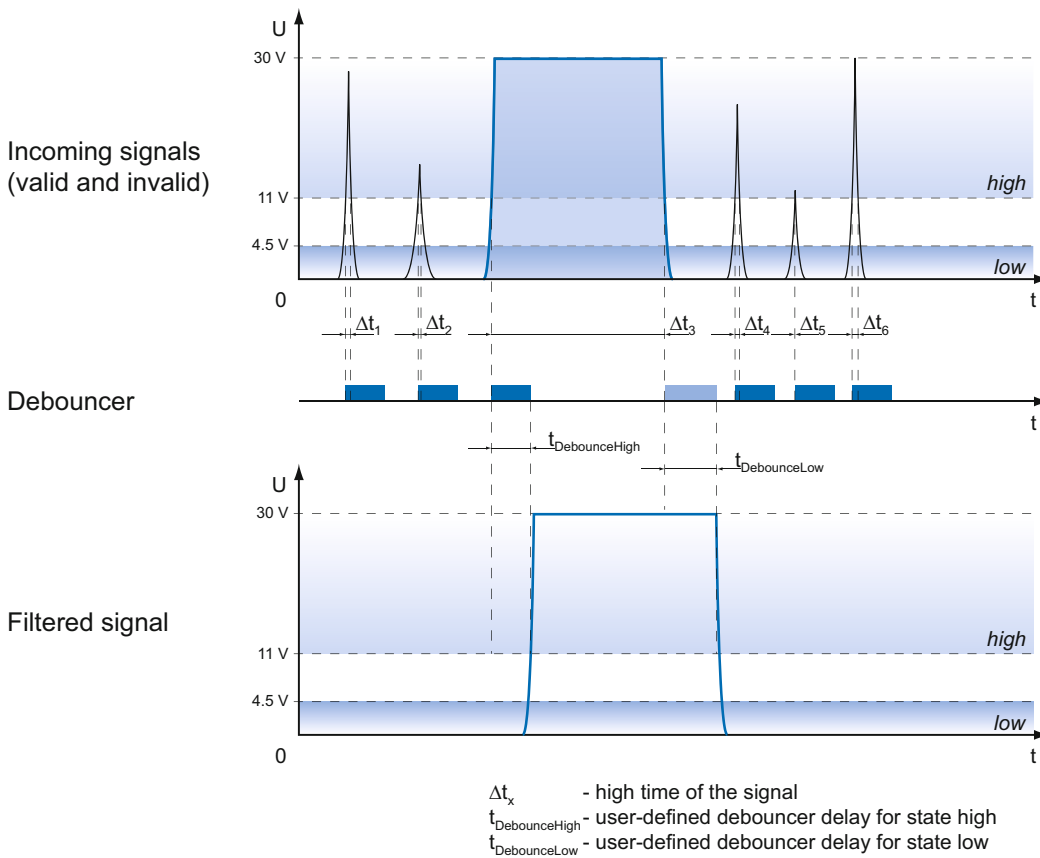
In order to detect the end of a valid signal and filter out possible jitters within the signal, a second testing time  $t_{\text{DebounceLow}}$  was introduced. The timing for this can also be adjusted by the user. If the signal value falls to state low and does not rise within  $t_{\text{DebounceLow}}$ , this is recognized as the end of the signal.

The debouncing times  $t_{\text{DebounceHigh}}$  and  $t_{\text{DebounceLow}}$  are adjustable from 0 to 5 ms in increments of 1  $\mu\text{s}$ .

### Notice

Please note that the edges of valid trigger signals are shifted by  $t_{\text{DebounceHigh}}$  and  $t_{\text{DebounceLow}}$ !

Depending on these two timings, the trigger signal may be temporally stretched or compressed.



### 7.10.1 LineDebouncerHighTimeAbs

Sets the absolute value of the selected line debouncer time in microseconds for switch from low to high.

<b>Name</b>	LineDebouncerHighTimeAbs
<b>Category</b>	DigitalIOControl
<b>Interface</b>	IFloat
<b>Access</b>	Read / Write
<b>Unit</b>	µs
<b>Values</b>	0.000000 - 5,000.000000 (Increment: 1.00)

### 7.10.2 LineDebouncerLowTimeAbs

Sets the absolute value of the selected line debouncer time in microseconds for switch from high to low.

<b>Name</b>	LineDebouncerLowTimeAbs
<b>Category</b>	DigitalIOControl
<b>Interface</b>	IFloat
<b>Access</b>	Read / Write
<b>Unit</b>	µs
<b>Values</b>	0.000000 - 5,000.000000 (Increment: 1.00)



### 7.10.3 LineFormat

Controls the current electrical format of the selected physical input or output Line.

By switching the LineFormat, the behavior of the outputs can be adapted to the respective installation.

#### Notice

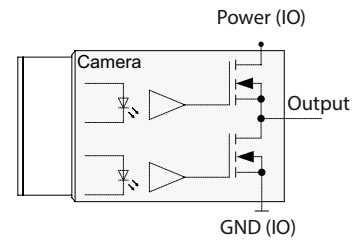
In all modes the supply voltage for the outputs (Pin 11, 12) must be connected!

<b>Name</b>	LineFormat
<b>Category</b>	DigitalIOControl
<b>Interface</b>	IEnumeration
<b>Access</b>	Read / Write
<b>Unit</b>	-
<b>Values</b>	see table below

The following line formats are available for each of the 4 outputs (Line 4, 5, 6, 7):

Modes	Description	Circuit
<b>Push-Pull</b>	<p>This mode is used to generate sharp edges for fast switching processes.</p> <p><u>Advantage:</u> Sharp edges in both directions.</p> <p><u>Disadvantage:</u> For long cable more susceptible to ground bounce and potential differences.</p>	
<b>Open-Source</b>	<p>Typical applications for this mode are: PLC input, control of illumination connected to ground.</p> <p><u>Advantage:</u> Stable at long cable lengths and potential differences.</p> <p><u>Disadvantage:</u> The falling edge has a lower slope due to parasitic capacitances. Switching off is slower due to this lower slope.</p>	
<b>Open-Drain</b>	<p>A typical case of application for this mode is a illumination control connected to plus.</p> <p><u>Advantage:</u> Stable at long cable lengths and potential differences.</p> <p><u>Disadvantage:</u> The rising edge has a lower slope due to parasitic capacitances. Switching off is slower due to this lower slope.</p>	

**Tri-State** In this mode, the output is disabled.



#### 7.10.4 LineInverter

Controls the inversion of the signal of the selected input or output Line.

<b>Name</b>	LineInverter
<b>Category</b>	DigitalIOControl
<b>Interface</b>	IBoolean
<b>Access</b>	Read / Write
<b>Unit</b>	-
<b>Values</b>	true = 1 (On) false = 0 (Off)

#### 7.10.5 LineMode

Controls if the physical Line is used to Input or Output a signal.

<b>Name</b>	LineMode
<b>Category</b>	DigitalIOControl
<b>Interface</b>	IEnumeration
<b>Access</b>	Read only
<b>Unit</b>	-
<b>Values</b>	Input The selected physical line is used to Input an electrical signal. Output The selected physical line is used to Output an electrical signal.

### 7.10.6 LinePWMConfigurationMode

Activates the Features *LinePWMMaxDuration* and *LinePWMMaxDutyCycle*.

<b>Name</b>	LinePWMConfigurationMode	
<b>Category</b>	DigitalIOControl	
<b>Interface</b>	IEnumeration	
<b>Access</b>	Read / Write	
<b>Unit</b>	-	
<b>Values</b>	Off	Disables the line PWM configuration mode.
	On	Enables the line PWM configuration mode.

With the function *Pulse Width Modulated Outputs (PWM)* it is possible to control an illumination controller or an illumination directly connected to the camera in various ways. The set *LineSource* is used as a signal for the control.

#### Caution

Erroneous settings can destroy the illumination! The outputs of the camera are protected against destruction. Please follow the information in the data sheets for your illumination. Contact the manufacturer of the illumination if you are unsure about admissible parameters.

##### Setting a output to a specific illumination

1. Set *LinePWMConfigurationMode* to *true*
2. Set at *LinePWMMaxDutyCycle* and *LinePWMMaxDuration* the maximum admissible parameters of your illumination (e.g. Falcon FLDR-i90B-IR24).

*LinePWMMaxDutyCycle* = 10 %


*LinePWMMaxDuration* = 10 ms

3. Set *LinePWMConfigurationMode* to *false*.

→ The values set in step 2 are now the max. admissible parameters.



## Electrical specifications (Output Line4 ... Line7)

⚠ Danger!	
	<b>Use in wet environments requiring IP67 protection</b>
	Risk of electric shock. Electric shock can be fatal or cause serious injury.
	Use is only permitted under consideration of pollution degree 2 and overvoltage category 2.
	The M12 connectors must comply with the IEC 61076-2-101 standard.
The dielectric strength and withstand voltage for the plug/socket combination must be checked according to DIN EN 60664-1:2008-01 for 60 V.	

$U_{EXT}$ : UL conform applications: 12 V (- 20 %) ... 24 V (+ 20 %)

$U_{EXT}$ : not UL conform applications: 12 V (- 20 %) ... 48 V (+ 10 %)

$I_{OUT}$ : - max. 1.5 A permanently in sum or per output individually  
- Pulse 40 % of the period, max. 2.5 A ( $t_{ON}$  max 1 s)  
-  $t_{ON} = < 0.2 \mu s$  /  $t_{OFF} = < 0.2 \mu s$   
- max. Frequency: 500 kHz

### Notice

In case of overload or short circuit, the outputs are disabled. To re-enable the output, disconnect Power (IO) (pin 12) from the power supply or perform a *DeviceReset*.

### 7.10.7 LinePWMDuration

Sets the pulse time in  $\mu s$ , with which the illumination is pulsed.

<b>Name</b>	LinePWMDuration
<b>Category</b>	DigitalIOControl
<b>Interface</b>	Integer
<b>Access</b>	Read / Write
<b>Unit</b>	$\mu s$
<b>Values</b>	1 - 5000 (Increment: 1)

### 7.10.8 LinePWMDutyCycle

Sets the duty cycle (ratio of pulse duration to period time duration) in %. This value is specified by the connected illumination.

<b>Name</b>	LinePWMDutyCycle
<b>Category</b>	DigitalIOControl
<b>Interface</b>	Integer
<b>Access</b>	Read / Write
<b>Unit</b>	%
<b>Values</b>	1 - 100 (Increment: 1)

### 7.10.9 LinePWMMaxDuration

Sets the maximum possible *LinePWMDuration* time in  $\mu\text{s}$ . This value is specified by the connected lighting. [Read/Write] (max = 50000  $\mu\text{s}$ )

<b>Name</b>	LinePWMMaxDuration
<b>Category</b>	DigitalIOControl
<b>Interface</b>	Integer
<b>Access</b>	Read / Write
<b>Unit</b>	$\mu\text{s}$
<b>Values</b>	1 - 50000 (Increment: 1)

### 7.10.10 LinePWMMaxDutyCycle

Sets the maximum possible *LinePWMDutyCycle* in %. This value is specified by the connected illumination.

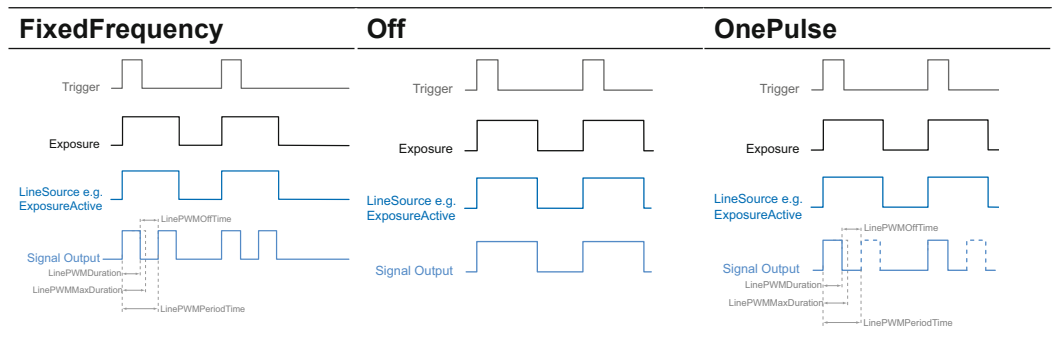
<b>Name</b>	LinePWMMaxDutyCycle
<b>Category</b>	DigitalIOControl
<b>Interface</b>	Integer
<b>Access</b>	Read / Write
<b>Unit</b>	%
<b>Values</b>	1 - 100 (Increment: 1)

### 7.10.11 LinePWMMode

Selects the PWM mode of the selected output line.

<b>Name</b>	LinePWMMode	
<b>Category</b>	DigitalIOControl	
<b>Interface</b>	IEnumeration	
<b>Access</b>	Read / Write	
<b>Unit</b>	-	
<b>Values</b>	Fixed Frequency	The selected output line generate a fixed frequency of pulses starting with every transition from 0 to 1 and stopping with every transition from 1 to 0.
	Off	The PWM Mode is off. The output line acts as a normal output.
	OnePulse	The selected output line generate one pulse with every transition from 0 to 1.

Timing diagrams of the PWMModes:



### 7.10.12 LinePWMOffTime

Offers the off time included in the PWM Period in microseconds.

<b>Name</b>	LinePWMMaxDutyCycle
<b>Category</b>	DigitalIOControl
<b>Interface</b>	Integer
<b>Access</b>	Read only
<b>Unit</b>	$\mu\text{s}$
<b>Values</b>	-9223372036854775808 - 9223372036854775808 (Increment: 1)

### 7.10.13 LinePWMPeriodTime

Readout of the entire period in  $\mu\text{s}$ .

<b>Name</b>	LinePWMPeriodTime
<b>Category</b>	DigitalIOControl
<b>Interface</b>	Integer
<b>Access</b>	Read only
<b>Unit</b>	$\mu\text{s}$
<b>Values</b>	depends on PWM settings

### 7.10.14 LineSelector

Selects the physical line (or pin) of the external device connector to configure.

<b>Name</b>	LineSelector	
<b>Category</b>	DigitalIOControl	
<b>Interface</b>	IEnumeration	
<b>Access</b>	Read / Write	
<b>Unit</b>	-	
<b>Values</b>	Line0	Index of the physical line and associated I/O control block to use.
	Line1	Index of the physical line and associated I/O control block to use.
	Line4	Index of the physical line and associated I/O control block to use.
	Line5	Index of the physical line and associated I/O control block to use.
	Line6	Index of the physical line and associated I/O control block to use.
	Line7	Index of the physical line and associated I/O control block to use.

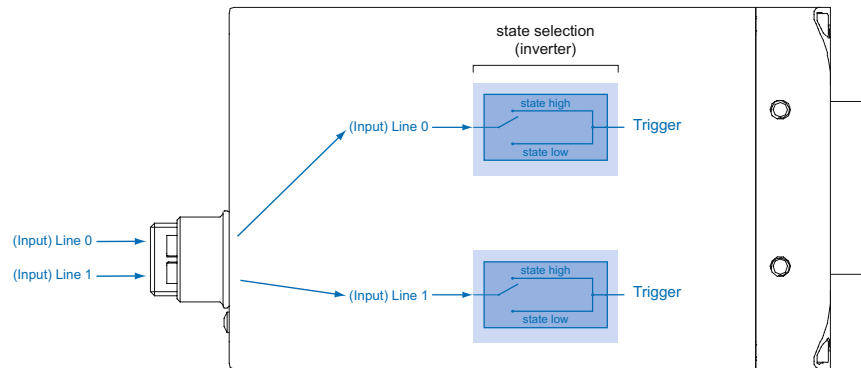
### 7.10.15 LineSource

#### Input (Line Selector → Line 0 / Line 1)

The wiring of these input connector is left to the user.

Sole exception is the compliance with predetermined high and low levels (0 .. 4.5 V low, 11 .. 30 V high).

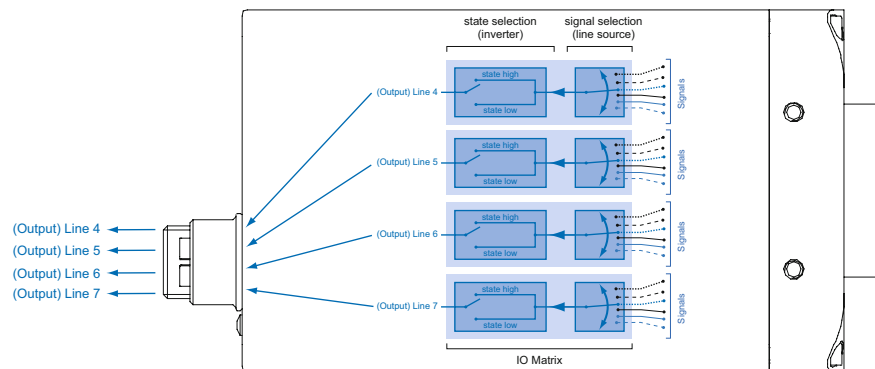
The defined signals will have no direct effect, but can be analyzed and processed on the software side and used for controlling the camera.



#### Output (Line Selector → Line 4 / Line 5 / Line 6 / Line 7)

Selects which internal acquisition or I/O source signal to output on the selected Line.

With this feature, Baumer gives you the option to wire the output connectors to internal signals that are controlled on the software side.



<b>Name</b>	LineSource
<b>Category</b>	DigitalIOControl
<b>Interface</b>	IEnumeration
<b>Access</b>	Read / Write
<b>Unit</b>	-
<b>Values</b>	see table below



<b>Signals</b>	
ExposureActive	Device is doing the exposure of a Frame (or Line).
Line 0	Device is currently waiting for signal of input line 0.
Line 1	Device is currently waiting for signal of input line 1.
Off	Line output is disabled (Tri-State).
ReadoutActive	Device is doing the readout of a Frame.
Timer1Active	The chosen Timer is in active state.
TriggerReady	Device is ready for trigger.
UserOutput1	The chosen User Output Bit state as defined by its current UserOutputValue.
UserOutput2	The chosen User Output Bit state as defined by its current UserOutputValue.
UserOutput3	The chosen User Output Bit state as defined by its current UserOutputValue.
UserOutput4	The chosen User Output Bit state as defined by its current UserOutputValue.

### 7.10.16 LineStatus

Returns the current status of the selected input or output Line.

<b>Name</b>	LineStatus
<b>Category</b>	DigitalIOControl
<b>Interface</b>	IBoolean
<b>Access</b>	Read only
<b>Unit</b>	-
<b>Values</b>	true = 1 (On) false = 0 (Off)

### 7.10.17 LineStatusAll

Returns the current status of all available Line signals at time of polling in a single bitfield.

<b>Name</b>	LineStatusAll
<b>Category</b>	DigitalIOControl
<b>Interface</b>	IInteger
<b>Access</b>	Read only
<b>Unit</b>	-
<b>Values</b>	Devices-Specific (HexNumber)

### 7.10.18 UserOutputSelector

Selects which bit of the User Output register will be set by UserOutputValue.

<b>Name</b>	UserOutputSelector	
<b>Category</b>	DigitalIOControl	
<b>Interface</b>	IEnumeration	
<b>Access</b>	Read / Write	
<b>Unit</b>	-	
<b>Values</b>	UserOutput1	Selects the bit 0 of the User Output register.
	UserOutput2	Selects the bit 1 of the User Output register.
	UserOutput3	Selects the bit 2 of the User Output register.
	UserOutput4	Selects the bit 3 of the User Output register.

### 7.10.19 UserOutputValue

Sets the value of the bit selected by *UserOutputSelector*.

<b>Name</b>	UserOutputValue	
<b>Category</b>	DigitalIOControl	
<b>Interface</b>	IBoolean	
<b>Access</b>	Read / Write	
<b>Unit</b>	-	
<b>Values</b>	true = 1 (On)	
	false = 0 (Off)	

### 7.10.20 UserOutputValueAll

Sets the value of all the bits of the User Output register.

<b>Name</b>	UserOutputValueAll	
<b>Category</b>	DigitalIOControl	
<b>Interface</b>	IInteger	
<b>Access</b>	Read only	
<b>Unit</b>	-	
<b>Values</b>	0 ... 4294967295 (Increment: 1)	

## 7.11 Category: EventControl

This chapter describes how to control the generation of Events to the host application. An Event is a message that is sent to the host application to notify it of the occurrence of an internal event.

### General Information

The asynchronous message channel is described in the GigE Vision® standard and offers the possibility of event signaling. There is a timestamp (64 bits) for each announced event, which contains the accurate time the event occurred.

Each event can be activated and deactivated separately (*EventSelector*).

#### 7.11.1 EventNotification

Activate or deactivate the notification to the host application of the occurrence of the selected Event.

<b>Name</b>	EventNotification	
<b>Category</b>	EventControl	
<b>Interface</b>	IEnumeration	
<b>Access</b>	Read / Write	
<b>Unit</b>	-	
<b>Values</b>	Off	The selected Event notification is disabled.
	On	The selected Event notification is enabled.

#### 7.11.2 EventSelector

Selects which Event to signal to the host application.

<b>Name</b>	EventSelector	
<b>Category</b>	EventControl	
<b>Interface</b>	IEnumeration	
<b>Access</b>	Read / Write	
<b>Unit</b>	-	
<b>Values</b>	see table below	

Event	Event-ID	Description		
DeviceTemperatureStatusChange	0x9030	Status of the internal device temperature has been changed.		
EventLost	0x9021	Event was lost in the camera.		
ExposureEnd	0x9001	Exposure ended.		
ExposureStart	0x9000	Exposure started.		
FrameEnd	0x9003	Device just completed the capture of one Frame.		
FrameStart	0x9002	Device just started the capture of one Frame.		
FrameTransfer-Skipped	0x9019	The event will be generated when the internal camera buffer is overflowed and image has been lost.		
GigEVisionError	0x9020	Device just detected an error.		
GigEVisionHeartbeatTimeOut	0x9023	Device runs in heartbeat timeout.		
Line0FallingEdge	0x9008	Falling Edge is detected on the Line 0.		
Line0RisingEdge	0x9007	Rising Edge is detected on the Line 0.		
Line1FallingEdge	0x900A	Falling Edge is detected on the Line 1.		
Line1RisingEdge	0x9009	Rising Edge is detected on the Line 1.		
Line4FallingEdge	0x9010	Falling Edge is detected on the Line 4.		
Line4RisingEdge	0x900F	Rising Edge is detected on the Line 4.		
Line5FallingEdge	0x9012	Falling Edge is detected on the Line 5.		
Line5RisingEdge	0x9011	Rising Edge is detected on the Line 5.		
Line6FallingEdge	0x9014	Falling Edge is detected on the Line 6.		
Line6RisingEdge	0x9013	Rising Edge is detected on the Line 6.		
Line7FallingEdge	0x9016	Falling Edge is detected on the Line 7.		
Line7RisingEdge	0x9015	Rising Edge is detected on the Line 7.		
PrimaryApplication-Switch	0x0007	For systems where redundancy and fault recovery are required, it is often necessary for a second application to take control over the camera that is already under the control of a primary application. In order to notify the primary application that a switchover has occurred, send this event before granting access to new primary application.		
PtpServoStatus-Changed (≥ Rel. 2 only)	0x9032	The event will be generated when the status of the internal PTP servo has been changed.		
PtpStatusChanged (≥ Rel. 2 only)	0x9031	The event will be generated when the status of the internal PTP state machine has been changed.		
<table border="1" style="margin: auto;"> <thead> <tr> <th style="background-color: #0056b3; color: white;">Notice</th> </tr> </thead> <tbody> <tr> <td>There is a possibility that a large number of events <i>PtpStatusChanged</i> will be issued as long as <i>PtpServoStatus</i> ≠ <i>Locked</i>.</td> </tr> </tbody> </table>			Notice	There is a possibility that a large number of events <i>PtpStatusChanged</i> will be issued as long as <i>PtpServoStatus</i> ≠ <i>Locked</i> .
Notice				
There is a possibility that a large number of events <i>PtpStatusChanged</i> will be issued as long as <i>PtpServoStatus</i> ≠ <i>Locked</i> .				
TransferBufferFull	0x9017	The event will be generated when no internal camera buffer is available.		
TransferBuffer-Ready	0x9018	The event will be generated when an internal camera buffer is available again.		
TriggerOverlapped	0x9005	Trigger Overlapped.		
TriggerReady	0x9004	Camera is able to process incoming trigger.		
TriggerSkipped	0x9006	Camera reject an incoming trigger signal.		

### 7.11.3 LostEventCounter

Counts lost events.

<b>Name</b>	LostEventCounter
<b>Category</b>	EventControl
<b>Interface</b>	Integer
<b>Access</b>	Read only
<b>Unit</b>	-
<b>Values</b>	0 ... 9223372036854775807 (Increment: 1)

### 7.12 Category: HDRControl

This is the category that contains the Baumer HDR features.

HDR (**H**igh **D**ynamic **R**ange) is a technique that allows a greater dynamic range of luminance between the brightest and darkest areas of an image.

The HDR feature implemented here is based on the principle of interleaved readout of the sensor. Two different methods are used. The two different methods are described below.

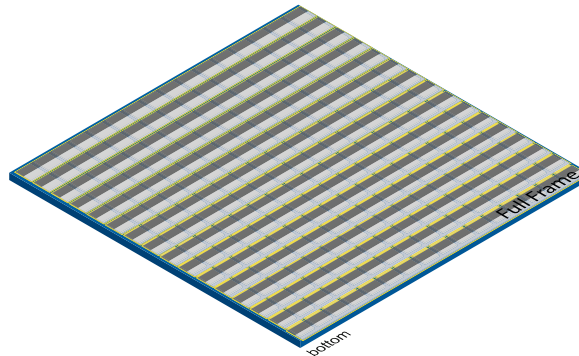
The following cameras support the HDR function:

Camera Type	Gain-Controlled (row-based)	Exposure-Controlled (row-based)
<b>Mono</b>		
VLXT-06M.I	■	□
VLXT-17M.I	■	□
VLXT-28M.I	■	□
VLXT-71M.I	■	□
VLXT-650M.I	□	■

## Operating principles

### Gain-Controlled

Row { 1. Gain A (*HDRGainBrightArea*) } same row  
      { 2. Gain B (*HDRGainDarkArea*) } different gains



With this method the rows of the sensor are read out twice with different gains (Gain A / Gain B). The gain factor between Gain A and Gain B is set using the *HDRGainRatioSelector* feature.

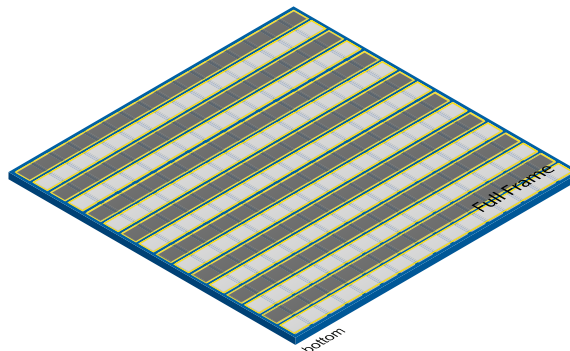
By reading out the rows twice, an image with twice the height is generated. The image is calculated to the previous height, taking into account the different gains and can be adjusted with further settings (e.g. tone mapping).

#### Notice

Because each row is read out twice (Gain A / Gain B), the frame rate is halved.

### Exposure-Controlled

Row 1 { Exposure 1 (*HDRExposureTimeBrightArea*) } different rows and  
Row 2 { Exposure 2 (*HDRExposureTimeDarkArea*) } exposure times



With this method every row of the sensor are read out with different exposure times (Exposure Time Row 1: *HDRExposureTimeBrightArea* / Exposure Time Row 2: *HDRExposureTimeDarkArea*).

The resulting image can be adjusted with further settings (e.g. tone mapping).

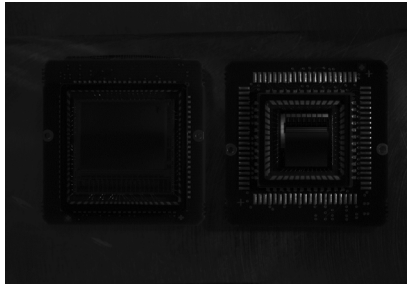
#### Notice

With this method, the number of rows read out is the same as for a non-HDR image. The framerate is unchanged.

## How to set up HDR with Baumer Camera Explorer

1. Start the *Camera Explorer*. Open the camera. Select the profile *GenICam Guru* if necessary.
2. Make sure HDR is inactive (Category: `HDRControl` → `HDREnable = False`). Configure the lighting situation as it will be for the planned application.
3. Open the Diagram Tool [F7]. Activate the Selection. Select the brightest area in the image.
4. Set the exposure time (Category: `AcquisitionControl` → `ExposureTime`) of the camera so that the histogram peak value is between the values of 175 to 235.

→ Now you do not lose information in the bright area.



5. Stop the camera.

### Notice

Do not use the feature (Category: `AcquisitionControl` → `AcquisitionStop`) in the feature tree.

This has other influences on the image acquisition too.

Use the button on the toolbar of the Camera Explorer or [F11].

6. Activate HDR (Category: `HDRControl` → `HDREnable = True`).

### 7. Gain-Controlled (row-based)

Select the gain ratio with the *HDRGainRatioSelector* feature.

Select the value for *HDRGainRatioSelector* so that the dark image areas contain sufficient gray value information.

### Notice

*HDRGainRatioSelector* is set by default to the value of 12dB (highest possible gain).

### Exposure-Controlled (row-based)

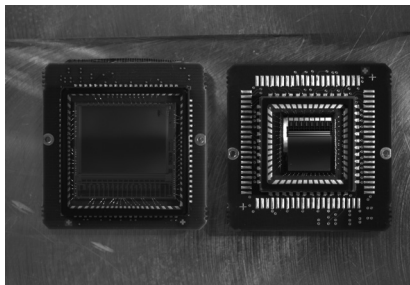
Select the exposure ratio with the *HDRExposureTimeRatio* feature.

Select the value for *HDRExposureTimeRatio* so that the dark image areas contain sufficient gray value information.

### Notice

*HDRExposureTimeRatio* is set by default to the value of 16.

8. Start the camera again.



### Notice

Do not use the feature (Category: `AcquisitionControl` → `AcquisitionStart`) in the feature tree.

This has other influences on the image acquisition too.

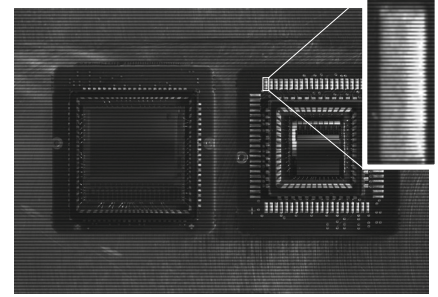
Use the button on the toolbar of the Camera Explorer or [F12].

#### Notice

If you want to output the direct image from the sensor, then deactivate the processing of the image data (`HDRProcessingEnable = False`).

#### Gain-Controlled (row-based)

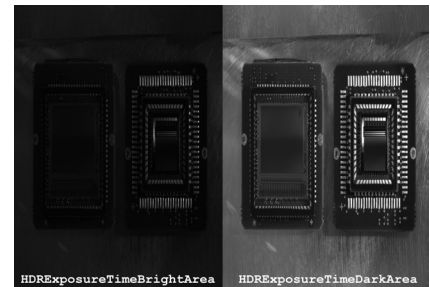
A vertical subsampling is performed on the sensor image because the camera can not display twice the number of lines.



#### Gain-Controlled (row-based)

#### Notice

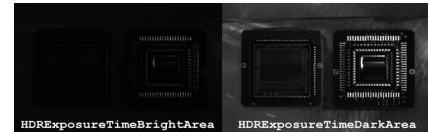
If you want to display the image information for (`HDRGainBrightArea = currently set value`) and (`HDRGainDarkArea = currently set value`) simultaneously, activate the SplitView feature (`HDRSplitView = True`).



#### Exposure-Controlled (row-based)

#### Notice

If you want to display the image information for (`HDRExposureTimeDarkArea = current value`) and (`HDRExposureTimeBrightArea = current value`) simultaneously, activate the SplitView feature (`HDRSplitView = True`).



#### 9. Exposure-Controlled (row-based)

With the features `HDRProcessingThresholdMax` and `HDRProcessingThresholdMin` you have further optional possibilities to influence the image.



- In the last step you have the option to influence the image via tone mapping.

**Notice**

To use tone mapping, the *HDRSplitView* feature must be disabled.

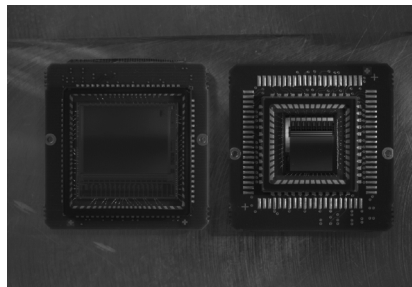
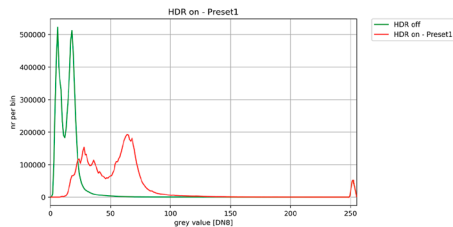
With tone mapping, the HDR (High Dynamic Range) image is converted to an LDR (Low Dynamic Range) image.

It does use a transfer function, which is approximated by up to 16 different linear sections.

Three presets are available (selectable via *HDRTonemappingCurvePresetSelector*).

[see chapter „7.12.13 Category: HDRTonemappingCurveControl“ on page 120](#)

- Execute the *HDR Tone MappingCurveResetToPreset* command to activate the selected preset.



Histogram of the final image → more details in the dark areas

final image with tone mapping  
(*HDRTonemappingCurvePresetSelector* = *Preset1*)

### 7.12.1 HDREnable

Enables the High Dynamic Range mode of the camera.

**Notice**

The camera must be stopped before feature can be set. HDR can not be used together with the Sequencer.

<b>Name</b>	HDREnable
<b>Category</b>	HDRControl
<b>Interface</b>	IBoolean
<b>Access</b>	Read / Write
<b>Unit</b>	-
<b>Values</b>	true = 1 (On) false = 0 (Off)

### 7.12.2 HDRExposureTimeBrightArea

Returns the exposure time for bright areas of image.

The following cameras support this function:

Camera Type	HDRExposureTimeBrightArea
<b>Mono</b>	
VLXT-650M.I	■
<b>Name</b>	HDRExposureTimeBrightArea
<b>Category</b>	HDRControl
<b>Interface</b>	IFloat
<b>Access</b>	Read only
<b>Unit</b>	μs
<b>Values</b>	20,000000 - 30,000,000.000000 (Increment: 1.00)

### 7.12.3 HDRExposureTimeDarkArea

Returns the exposure time for dark areas of image. This value represents the long exposure time, which is derived from short exposure time multiplied by *HDRExposureTimeRatio*.

The following cameras support this function:

Camera Type	HDRExposureTimeDarkArea
<b>Mono</b>	
VLXT-650M.I	■
<b>Name</b>	HDRExposureTimeDarkArea
<b>Category</b>	HDRControl
<b>Interface</b>	IFloat
<b>Access</b>	Read only
<b>Unit</b>	μs
<b>Values</b>	40,000000 - 60,000,000.000000 (Increment: 1.00)

### 7.12.4 HDRGainBrightArea

Returns the sensor gain for bright areas of image. This value represents the lower gain used as offset for the HDR image.

The following cameras support this function:

Camera Type	HDRGainBrightArea
<b>Mono</b>	
VLXT-06M.I	■
VLXT-17M.I	■
VLXT-28M.I	■
VLXT-71M.I	■

<b>Name</b>	HDRGainBrightArea
<b>Category</b>	HDRControl
<b>Interface</b>	IFloat
<b>Access</b>	Read only
<b>Unit</b>	-
<b>Values</b>	1.000000 - 3.981072 (Increment: 0.10)

### 7.12.5 HDRGainDarkArea

Returns the sensor gain for dark areas of image. This value represents the higher gain, which is derived from lower gain and *HDRGainRatio*.

The following cameras support this function:

Camera Type	HDRGainDarkArea
<b>Mono</b>	
VLXT-06M.I	■
VLXT-17M.I	■
VLXT-28M.I	■
VLXT-71M.I	■

<b>Name</b>	HDRGainDarkArea
<b>Category</b>	HDRControl
<b>Interface</b>	IFloat
<b>Access</b>	Read only
<b>Unit</b>	-
<b>Values</b>	1.000000 - 3.981072 (Increment: 0.10)

### 7.12.6 HDRGainRatio

Returns the gain ratio for HDR mode.

The following cameras support this function:

Camera Type	HDRGainRatio
<b>Mono</b>	
VLXT-06M.I	■
VLXT-17M.I	■
VLXT-28M.I	■
VLXT-71M.I	■

<b>Name</b>	HDRGainRatio
<b>Category</b>	HDRControl
<b>Interface</b>	IFloat
<b>Access</b>	Read only
<b>Unit</b>	-
<b>Values</b>	1.000000 - 1.333521 (Increment: 0.10)

### 7.12.7 HDRExposureTimeRatio

Sets the exposure time ratio for HDR mode.

The following cameras support this function:

Camera Type	HDRExposureTimeRatio
<b>Mono</b>	
VLXT-650M.I	■

<b>Name</b>	HDRExposureTimeRatio
<b>Category</b>	HDRControl
<b>Interface</b>	Integer
<b>Access</b>	Read / Write
<b>Unit</b>	-
<b>Values</b>	2, 4, 8, 16, 32, 64, 128, 256, 512, 1024, 2048, 4096 (Increment: see value interval)
<b>Values</b>	<b>Notice</b> The maximum adjustable value depends on the exposure time of the camera.

### 7.12.8 HDRGainRatioSelector

Selects the gain ratio for HDR mode.

The following cameras support this function:

Camera Type	HDRGainRatioSelector
<b>Mono</b>	
VLXT-06M.I	■
VLXT-17M.I	■
VLXT-28M.I	■
VLXT-71M.I	■

#### Notice

The camera must be stopped before this feature can be set.

#### Notice

You can use the *HDRSplitviewEnable* feature to display a before and after image of your setting.

<b>Name</b>	HDRGainRatioSelector	
<b>Category</b>	HDRControl	
<b>Interface</b>	IEnumeration	
<b>Access</b>	Read / Write	
<b>Unit</b>	-	
<b>Values</b>	DynamicRange12_0dB	Sets HDR gain ratio to dynamic range of 12.0 dB. (Gain B 4 times higher than Gain A)
	DynamicRange2_5dB	Sets HDR gain ratio to dynamic range of 2.5 dB. (Gain B 1.33 times higher than Gain A)
	DynamicRange3_5dB	Sets HDR gain ratio to dynamic range of 3.5 dB. (Gain B 1.5 times higher than Gain A)
	DynamicRange6_0dB	Sets HDR gain ratio to dynamic range of 6.0 dB. (Gain B 2 times higher than Gain A)
	DynamicRange9_5dB	Sets HDR gain ratio to dynamic range of 9.5 dB. (Gain B 3 times higher than Gain A)
	Off	Sets HDR gain ratio to dynamic range of 0dB. (Gain B and Gain A the same)

### 7.12.9 HDRProcessingEnable

Enables the calculation of an interleaved HDR image of the sensor to an HDR image. If this feature is disabled while HDR is enabled the interleaved HDR image of the sensor will be output.

<b>Name</b>	HDRProcessingEnable	
<b>Category</b>	HDRControl	
<b>Interface</b>	IBoolean	
<b>Access</b>	Read / Write	
<b>Unit</b>	-	
<b>Values</b>	true = 1 (On)	
	false = 0 (Off)	

### 7.12.10 HDRProcessingThresholdMax

Specifies the upper threshold to determine valid pixels for HDR processing.

#### Notice

Pixels are valid if the brightness of the pixel is within the set range. If the brightness is outside the range, the pixels of the neighboring rows are used for HDR processing.

The following cameras support this function:

Camera Type	HDRProcessingThresholdMax
<b>Mono</b>	
VLXT-650M.I	■

<b>Name</b>	HDRProcessingThresholdMax
<b>Category</b>	HDRControl
<b>Interface</b>	Integer
<b>Access</b>	Read / Write
<b>Unit</b>	-
<b>Values</b>	2048 ... 4095 (Increment: 1)

### 7.12.11 HDRProcessingThresholdMin

Specifies the lower threshold to determine valid pixels for HDR processing.

#### Notice

Pixels are valid if the brightness of the pixel is within the set range. If the brightness is outside the range, the pixels of the neighboring rows are used for HDR processing.

The following cameras support this function:

Camera Type	HDRProcessingThresholdMin
<b>Mono</b>	
VLXT-650M.I	■

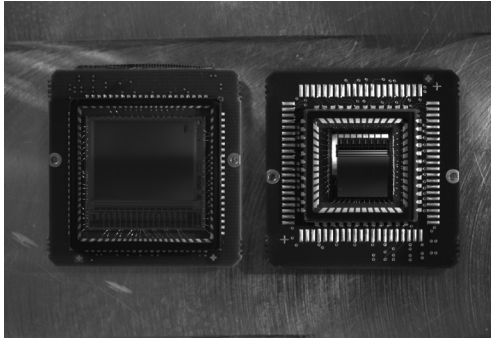
<b>Name</b>	HDRProcessingThresholdMin
<b>Category</b>	HDRControl
<b>Interface</b>	Integer
<b>Access</b>	Read / Write
<b>Unit</b>	-
<b>Values</b>	0 ... 2047 (Increment: 1)

## 7.12.12 HDRSplitviewEnable

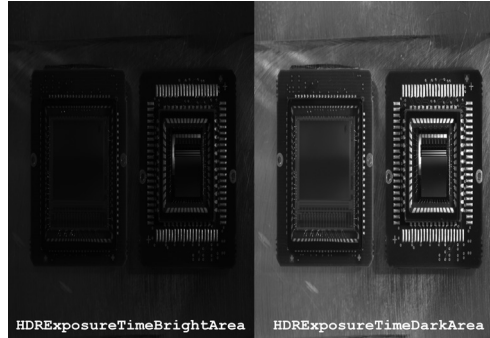
### Gain-Controlled (row-based)

After activating this function, the image for (HDRGainBrightArea) is displayed in the left area and the image for (HDRGainDarkArea) is displayed in the right area.

This view helps to better adjust the *HDRGainRatioSelector*.



HDRSplitviewEnable = Off

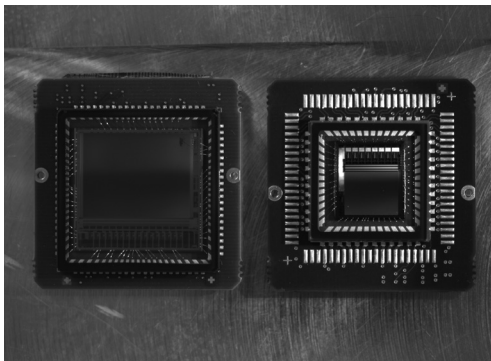


HDRSplitviewEnable = On  
(HDRGainRatioSelector = 12.0 dB)

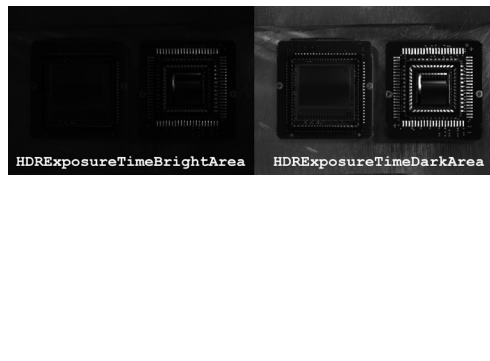
### Exposure-Controlled (row-based)

After activating this function, the image for (HDRDRExposureTimeBrightArea) is displayed in the left area and the image for (HDRExposureTimeDarkArea) is displayed in the right area.

This view helps to better adjust the *HDRExposureTimeRatio*.



HDRSplitviewEnable = Off



HDRSplitviewEnable = On  
(HDRExposureTimeRatio = 4)

<b>Name</b>	HDRSplitEnable
<b>Category</b>	HDRControl
<b>Interface</b>	IBoolean
<b>Access</b>	Read / Write
<b>Unit</b>	-
<b>Values</b>	true = 1 (On) false = 0 (Off)

### 7.12.13 Category: HDRTonemappingCurveControl

This category contains the Baumer HDR tone mapping curve control features.

With tone mapping, the HDR (High Dynamic Range) image is converted to an LDR (Low Dynamic Range) image.

#### Notice

The internal processing is done on 12 bit, therefore the HDR tone mapping is always applied to 12 bit LDR.

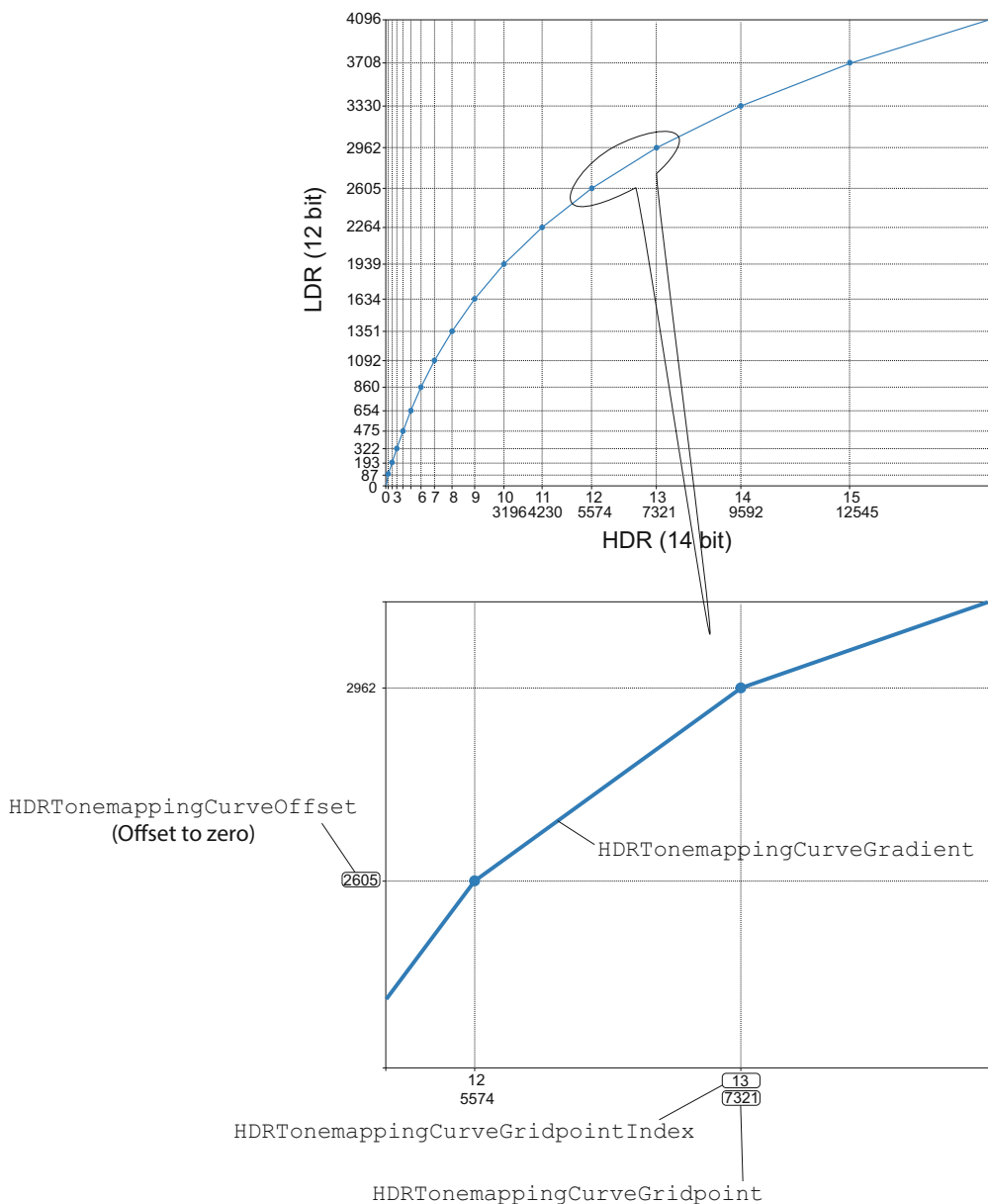
Three presets are available (selectable via *HDRTonemappingCurvePresetSelector*).

Additionally, you can also create your own transfer function for the tone mapping by setting values of:

- *HDRTonemappingCurveOffset*
- *HDRTonemappingCurveGradient*
- *HDRTonemappingCurveGridpoint*

for each of the 16 indices of *HDRTonemappingCurveGridpoint*.

The following graphic shows an example, how each value influence the characteristics of the HDR tone mapping curve.





### 7.12.13.1 HDRTonemappingCurveGradient

Sets the gradient at selected grid point for HDR tone-mapping transfer curve.

<b>Name</b>	HDRTonemappingCurveGradient
<b>Category</b>	HDRControl → HDRTonemappingCurveControl
<b>Interface</b>	IFloat
<b>Access</b>	Read / Write
<b>Unit</b>	-
	0 - 0.9999842587890625 (Increment: 0.00001451757)
<b>Values</b>	<b>Notice</b> Rounded values are displayed in the <i>Feature control area</i> of <i>Camera Explorer</i> . You can read the exact values in the <i>System Status / Log View</i> of the <i>Camera Explorer</i> .

### 7.12.13.2 HDRTonemappingCurveGridpoint

Sets the grid point for HDR tone-mapping transfer curve.

<b>Name</b>	HDRTonemappingCurveGridpoint
<b>Category</b>	HDRControl → HDRTonemappingCurveControl
<b>Interface</b>	Integer
<b>Access</b>	Read / Write
<b>Unit</b>	-
	0 ... 16383 (Gain-Controlled) / 16777215 (Exposure-Controlled) (Increment: 1)
<b>Values</b>	<b>Notice</b> The adjustable maximum depends on the respective ratio. <ul style="list-style-type: none"><li>▪ Gain-Controlled (HDRGainRatio)</li><li>▪ Exposure-Controlled (HDRExposureTimeRatio)</li></ul>

### 7.12.13.3 HDRTonemappingCurveGridpointIndex

Sets the index of grid point for the user-defined tone-mapping curve.

<b>Name</b>	HDRTonemappingCurveGridpointIndex
<b>Category</b>	HDRControl → HDRTonemappingCurveControl
<b>Interface</b>	Integer
<b>Access</b>	Read / Write
<b>Unit</b>	-
<b>Values</b>	0 ... 15 (Increment: 1)

### 7.12.13.4 HDRTonemappingCurveOffset

Sets the offset at selected grid point for HDR tone-mapping transfer curve.

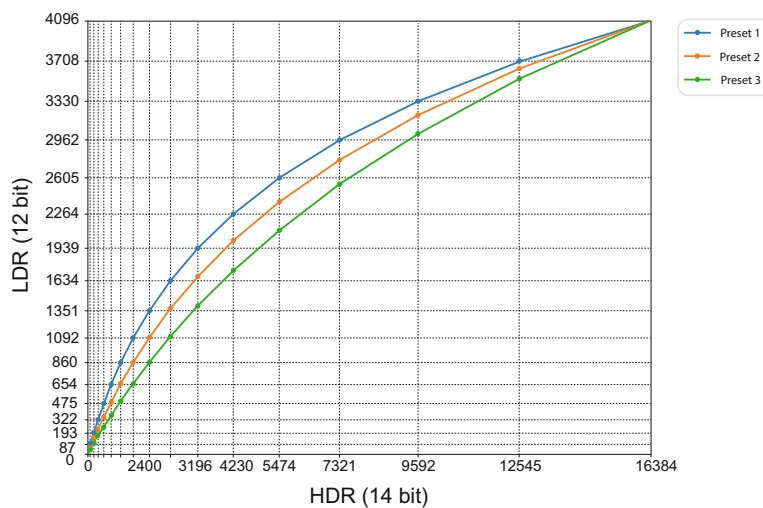
<b>Name</b>	HDRTonemappingCurveOffset
<b>Category</b>	HDRControl → HDRTonemappingCurveControl
<b>Interface</b>	Integer
<b>Access</b>	Read / Write
<b>Unit</b>	-
<b>Values</b>	0 ... 4095 (Increment: 1)

### 7.12.14 HDRTonemappingCurvePresetSelector

Selects the predefined transfer curve for global tone-mapping of the calculated HDR image.

**Notice**  
The selected preset is stored in the user set.

The following diagram shows the characteristics of the selectable presets.



<b>Name</b>	HDRTonemappingCurvePresetSelector
<b>Category</b>	HDRControl
<b>Interface</b>	IEnumeration
<b>Access</b>	Read / Write
<b>Unit</b>	-
<b>Values</b>	<p>Preset1 The HDR tone-mapping preset for a steep logarithmic transfer curve will be used.</p> <p>Preset2 The HDR tone-mapping preset for a middle steep logarithmic transfer curve will be used.</p> <p>Preset3 The HDR tone-mapping preset for a slight logarithmic transfer curve will be used.</p>

### 7.12.15 HDRTonemappingCurveResetToPreset

Reset the tone-mapping curve to the selected HDRTonemappingCurvePreset.

<b>Name</b>	HDRTonemappingCurveResetToPreset
<b>Category</b>	HDRControl
<b>Interface</b>	ICommand
<b>Access</b>	Write only
<b>Unit</b>	-
<b>Values</b>	-

### 7.12.16 HDRTonemappingEnable

Enables the tone-mapping of calculated HDR image. If this feature is deactivated HDR pixels are only cut to width of specified output pixelformat and HDR information will be lost.

#### Notice

The settings for tone mapping are made in the *HDR Tone Mapping Curve Control* category.

#### Notice

To use tone mapping, the *HDR Split View* feature must be disabled.

<b>Name</b>	HDRTonemappingEnable
<b>Category</b>	HDRControl
<b>Interface</b>	IBoolean
<b>Access</b>	Read / Write
<b>Unit</b>	-
<b>Values</b>	true = 1 (On) false = 0 (Off)

## 7.13 Category: ImageFormatControl

This chapter describes how to influence and determine the image size and format.

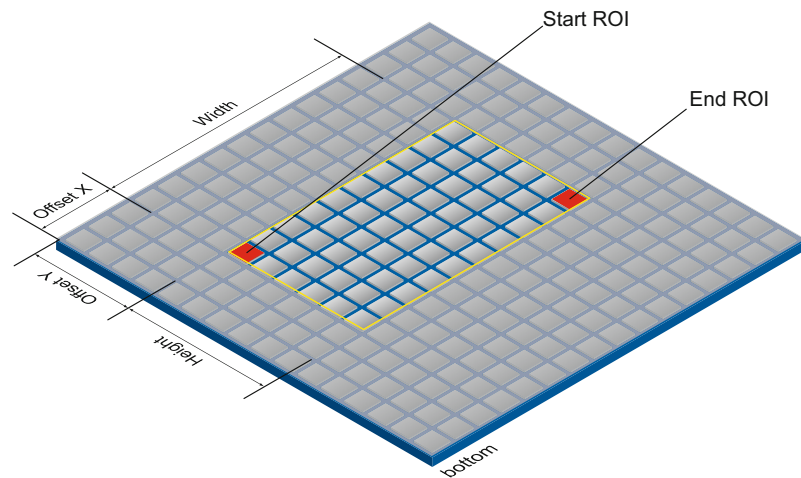
### Region of Interest (OffsetX / OffsetY / Width / Height) - General Information

You can use the "Region of Interest" (ROI) function to predefine a so-called region of interest or partial scan. This ROI is an area of pixels on the sensor. When an image is acquired, only the information regarding these pixels is transferred to the PC. Not all of the lines on the sensor are read out, which therefore decreases the readout time ( $t_{\text{readout}}$ ). This increases the frame rate.

This function is used if only a particular region of the field of view is of interest. It also reduces the resolution.

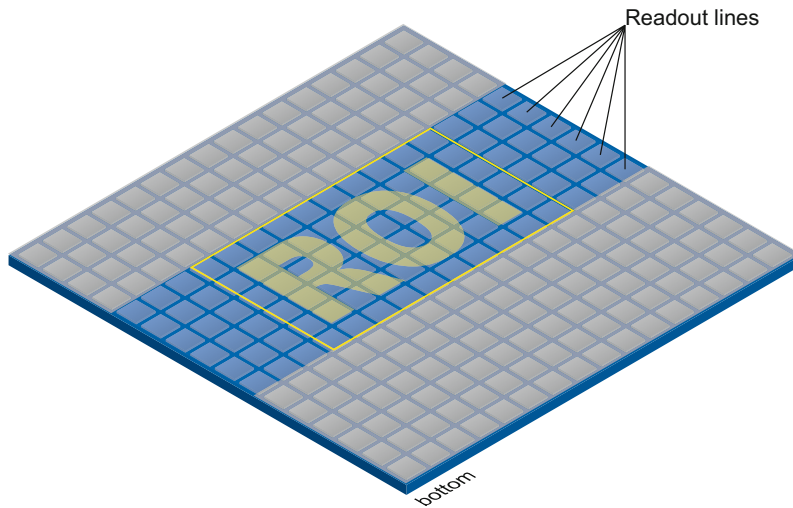
The ROI is specified using four values:

- OffsetX - x-coordinate of the first relevant pixel
- OffsetY - y-coordinate of the first relevant pixel
- Width - horizontal size of the ROI
- Height - vertical size of the ROI



## ROI Readout

In the illustration below, the readout time would decrease to 40% of a full frame readout.



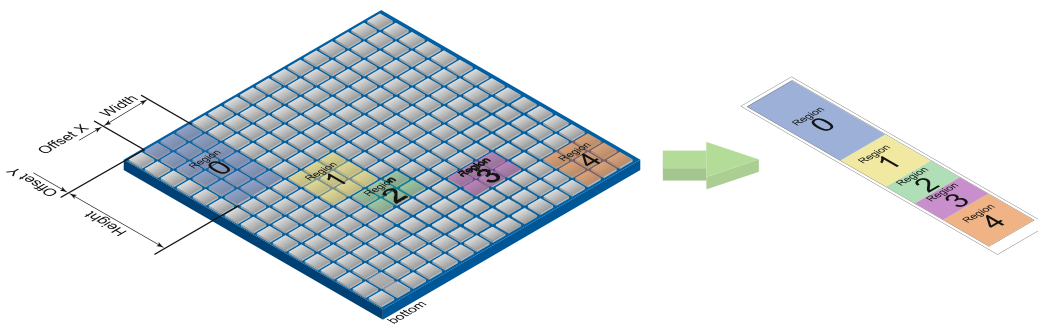
## Multi Region of Interest (RegionMode / RegionSelector / OffsetX / OffsetY / Width / Height) - General Information (≥ Release 3 only)

With Multi-ROI it is possible to predefine several Region of Interests (ROIs). It can be specified up to 8 ROIs. Overlapped Multi-ROIs and Multi-ROIs that are next to each other are not possible. Multi-ROIs which are among each other are possible. All Multi-ROIs must have the same width, but the height may vary.

The camera only reads out sensor parts that are within one of the active Multi-ROI's and transferred all Multi-ROIs in one frame.

### Notice

It is not possible to use AutoFeature-ROI and Multi-ROI together. Multi-ROI cannot be used simultaneously with *Binning*, *Seqencer*, *Shading* and *PixelFormat* RGB / BGR.



Width = Width = Width = Width = Width  
(Region 0) (Region 1) (Region 2) (Region 3) (Region 4)  
 (Example with 5 ROI's. Maximum 8 ROI's are possible.)

### 7.13.1 BinningHorizontal

Number of horizontal photo-sensitive cells to combine together. This increases the intensity (or signal to noise ratio) of the pixels and reduces the horizontal resolution (width) of the image.

<b>Name</b>	BinningHorizontal
<b>Category</b>	ImageFormatControl
<b>Interface</b>	Integer
<b>Access</b>	Read / Write
<b>Unit</b>	-
<b>Values</b>	see table below (Increment: 1)

Camera Type	BinningSelector [Region0]	BinningSelector [Sensor]
<b>Monochrome</b>		
VLXT-06M.I (.JP)	1 ... 2	1 ... 1
VLXT-17M.I	1 ... 2	1 ... 1
VLXT-28M.I (.JP)	1 ... 2	1 ... 1
VLXT-31M(.I) (.JP) (.FO)	1 ... 2	1 ... 1
VLXT-50M(.I) (.FO)	1 ... 2	1 ... 1
VLXT-71M.I	1 ... 2	1 ... 1
VLXT-90M(.I) (.JP) (.FO)	1 ... 2	1 ... 2 <sup>*)</sup>
VLXT-123M(.I) (.FO)	1 ... 2	1 ... 2 <sup>*)</sup>
VLXT-240M.I	1 ... 2	1 ... 2 <sup>*)</sup>
VLXT-650M.I	1 ... 2	1 ... 1
<b>Color</b>		
VLXT-06C.I.JP	1 ... 2	1 ... 1
VLXT-31C.I (.JP)	1 ... 2	1 ... 1
VLXT-50C(.I) (.FO)	1 ... 2	1 ... 1
VLXT-71C.I	1 ... 2	1 ... 1
VLXT-90C.I	1 ... 2	1 ... 1
VLXT-123C.I	1 ... 2	1 ... 1
VLXT-240C.I	1 ... 2	1 ... 1
VLXT-650C.I	1 ... 2	1 ... 1

<sup>\*)</sup> *BinningVertical* is also switched to 2

### 7.13.2 BinningHorizontalMode

Sets the mode to use to combine horizontal photo-sensitive cells together when Binning-Horizontal is used.

<b>Name</b>	BinningHorizontalMode	
<b>Category</b>	ImageFormatControl	
<b>Interface</b>	IEnumeration	
<b>Access</b>	Read / Write	
<b>Unit</b>	-	
<b>Values</b>	Average	The response from the combined cells will be averaged, resulting in increased signal/noise ratio.
	Sum	The response from the combined cells will be added, resulting in increased sensitivity.

### 7.13.3 BinningSelector

Selects which binning engine is controlled by the BinningHorizontal and BinningVertical features.

<b>Notice</b>		
<b>(≥ Release 3 only)</b>		
Binning can not be used simultaneously with Multi-ROI.		
<b>Name</b>	BinningSelector	
<b>Category</b>	ImageFormatControl	
<b>Interface</b>	IEnumeration	
<b>Access</b>	Read / Write	
<b>Unit</b>	-	
<b>Values</b>	Region0	Selected feature will control the region 0 (FPGA) binning.
	Sensor	Selected features will control the sensor binning.

#### Known issues

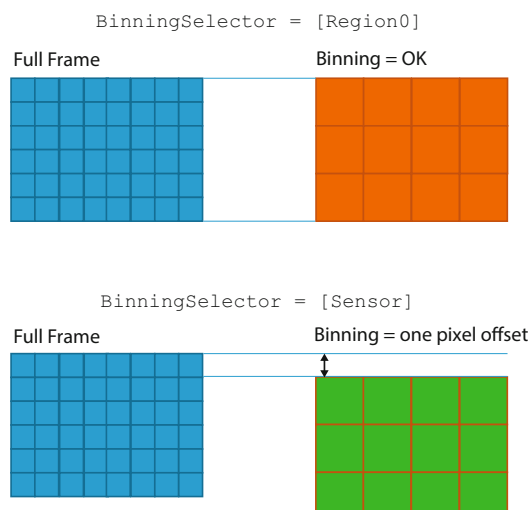
Due to the sensor applied, some camera models have an offset of one pixel when binning performed in the sensor (`BinningSelector = [Sensor]`).

This behavior also occurs with a set Region of Interest (ROI).

Use binning via the FPGA (`BinningSelector = [Region0]`) if this behavior occurs in your application.

The following models are affected:

- VLXT-28M.x
- VLXT-71M.x
- VLXT-90M.x
- VLXT-123M.x



### 7.13.4 BinningVertical

Number of vertical photo-sensitive cells to combine together. This increases the intensity (or signal to noise ratio) of the pixels and reduces the vertical resolution (height) of the image.

<b>Name</b>	BinningVertical
<b>Category</b>	ImageFormatControl
<b>Interface</b>	Integer
<b>Access</b>	Read / Write
<b>Unit</b>	-
<b>Values</b>	see table below (Increment: 1)

Camera Type	BinningSelector [Region0]	BinningSelector [Sensor]
<b>Monochrome</b>		
VLXT-06M.I (.JP)	1 ... 2	1 ... 1
VLXT-17M.I	1 ... 2	1 ... 1
VLXT-28M.I (.JP)	1 ... 2	1 ... 1
VLXT-31M(.I) (.JP) (.FO)	1 ... 2	1 ... 1
VLXT-50M(.I) (.FO)	1 ... 2	1 ... 1
VLXT-71M.I	1 ... 2	1 ... 1
VLXT-90M(.I) (.JP) (.FO)	1 ... 2	1 ... 2*
VLXT-123M(.I) (.FO)	1 ... 2	1 ... 2*
VLXT-240M.I	1 ... 2	1 ... 2*
VLXT-650M.I	1 ... 2	1 ... 1
<b>Color</b>		
VLXT-06C.I.JP	1 ... 2	1 ... 1
VLXT-31C.I (.JP)	1 ... 2	1 ... 1
VLXT-50C(.I) (.FO)	1 ... 2	1 ... 1
VLXT-71C.I	1 ... 2	1 ... 1
VLXT-90C.I	1 ... 2	1 ... 1
VLXT-123C.I	1 ... 2	1 ... 1
VLXT-240C.I	1 ... 2	1 ... 1
VLXT-650C.I	1 ... 2	1 ... 1

<sup>\*)</sup> *BinningHorizontal* is also switched to 2

### 7.13.5 BinningVerticalMode

The response from the combined cells will be averaged, resulting in increased signal/noise ratio.

<b>Name</b>	BinningHorizontalMode	
<b>Category</b>	ImageFormatControl	
<b>Interface</b>	IEnumeration	
<b>Access</b>	Read / Write	
<b>Unit</b>	-	
<b>Values</b>	Average	The response from the combined cells will be averaged, resulting in increased signal/noise ratio.
	Sum	The response from the combined cells will be added, resulting in increased sensitivity.

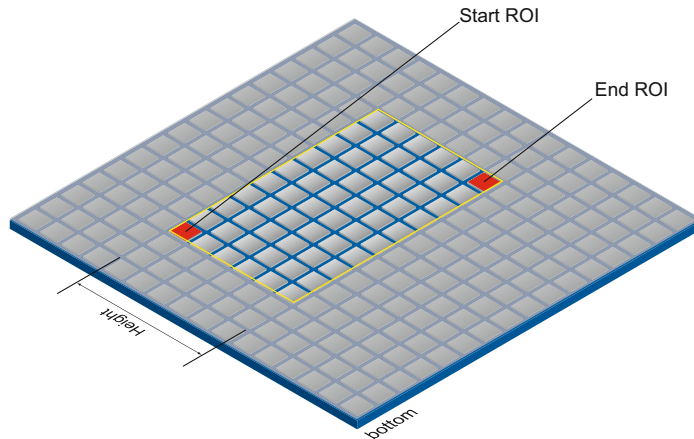


### 7.13.6 Height

Height of the image provided by the device (in pixels). The selected value changes with the change of *Binning*.

#### Notice

The sum of *Offset Y* and *Height* must be smaller or equal than *Height Max*.



<b>Name</b>	Height
<b>Category</b>	ImageFormatControl
<b>Interface</b>	Integer
<b>Access</b>	Read / Write
<b>Unit</b>	-
<b>Values</b>	see table below

#### Camera Type

##### Monochrome

VLXT-06M.I (.JP)	1 ... 620 (Increment: 1)
VLXT-17M.I	1 ... 1100 (Increment: 1)
VLXT-28M.I (.JP)	1 ... 1464 (Increment: 1)
VLXT-31M(.I) (.JP) (.FO)	1*   2 ... 1536 (Increment: 1*   2)
VLXT-50M(.I) (.FO)	1*   2 ... 2048 (Increment: 1*   2)
VLXT-71C.I	1 ... 2200 (Increment: 1)
VLXT-90M(.I) (.JP) (.FO)	1*   4 ... 2160 (Increment: 1*   4)
VLXT-123M(.I) (.FO)	1*   4 ... 3000 (Increment: 1*   4)
VLXT-240M.I	1 ... 4600 (Increment 1)
VLXT-650M.I	1 ... 7000 (Increment 1)

##### Color

VLXT-06C.I.JP	1 ... 608 (Increment: 2)
VLXT-31C.I (.JP)	2*   4 ... 1536 (Increment: 2*   4)
VLXT-50C(.I) (.FO)	2*   4 ... 2048 (Increment: 2*   4)
VLXT-71C.I	2 ... 2200 (Increment: 2)
VLXT-90C.I	2*   4 ... 2160 (Increment: 2*   4)
VLXT-123C.I	2*   4 ... 3000 (Increment: 2*   4)
VLXT-240C.I	2... 4592 (Increment 2)
VLXT-650C.I	2 ... 7000 (Increment 2)

<sup>\*)</sup> ≥ Release 2

### 7.13.7 HeightMax

Maximum height of the image (in pixels). This dimension is calculated after vertical binning, decimation or any other function changing the vertical dimension of the image.

<b>Name</b>	HeightMax
<b>Category</b>	ImageFormatControl
<b>Interface</b>	Integer
<b>Access</b>	Read only
<b>Unit</b>	-
<b>Values</b>	see table below

#### Camera Type

##### Monochrome

VLXT-06M.I (.JP)	620
VLXT-17M.I	1100
VLXT-28M.I (.JP)	1464
VLXT-31M(.I) (.FO)	1536
VLXT-50M(.I) (.FO)	2048
VLXT-71M.I	2200
VLXT-90M(.I) (.JP) (.FO)	2160
VLXT-123M(.I) (.FO)	3000
VLXT-240M.I	4600
VLXT-650M.I	7000

##### Color

VLXT-06C.I.JP	608
VLXT-31C.I (.JP)	1536
VLXT-50C(.I) (.FO)	2048
VLXT-71C.I	2200
VLXT-90C.I	2160
VLXT-123C.I	3000
VLXT-240C.I	4600
VLXT-650C.I	7000

### 7.13.8 ImageCompressionJPEGFormatOption (.JP cameras only)

When JPEG is selected as the compression format, a device might optionally offer better control over JPEG-specific options through this feature.

<b>Name</b>	ImageCompressionJPEGFormatOption	
<b>Category</b>	ImageFormatControl	
<b>Interface</b>	IEnumeration	
<b>Access</b>	Read / Write	
<b>Unit</b>	-	
<b>Values</b>	Baseline Standard	Indicates this is a baseline sequential (single-scan) DCT-based JPEG.

### 7.13.9 ImageCompressionMode (.JP cameras only)

Enables a specific image compression mode as the base mode for image transfer. Optionally, chunk data can be appended to the compressed image.

#### Notice

The camera must be stopped before feature can be changed.

#### Notice

To set `ImageCompressionMode = JPEG`, a pixel format that supports compression must be selected first.

Supported pixel formats:

Mono cameras: Mono8

Color cameras: Mono8, YCbCr422\_8

<b>Name</b>	ImageCompressionMode	
<b>Category</b>	ImageFormatControl	
<b>Interface</b>	IEnumeration	
<b>Access</b>	Read / Write	
<b>Unit</b>	-	
<b>Values</b>	JPEG Off	JPEG compression is selected. Image compression is disabled. Images are transmitted uncompressed.

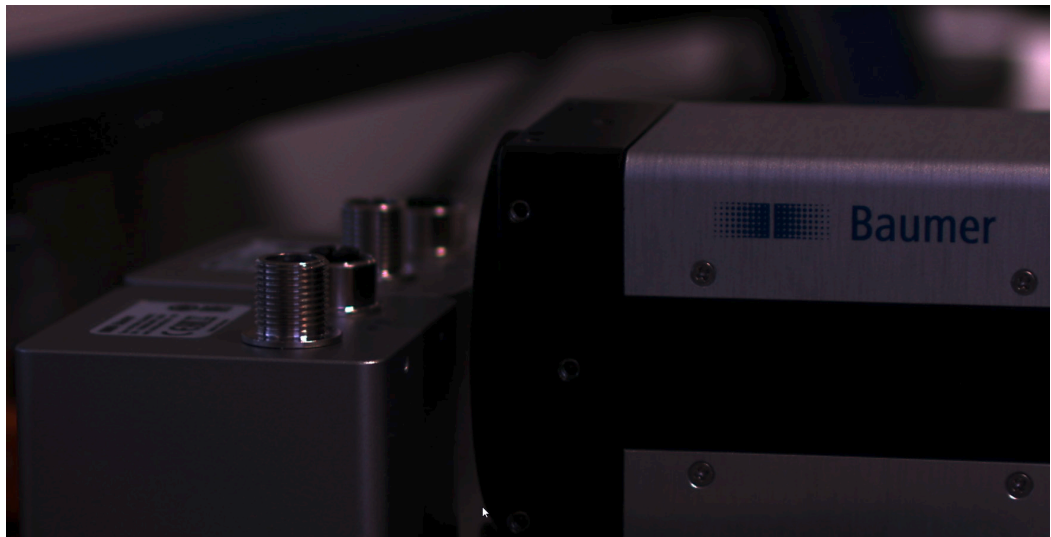
### 7.13.10 ImageCompressionQuality (.JP cameras only)

Controls the quality of the produced compressed stream.

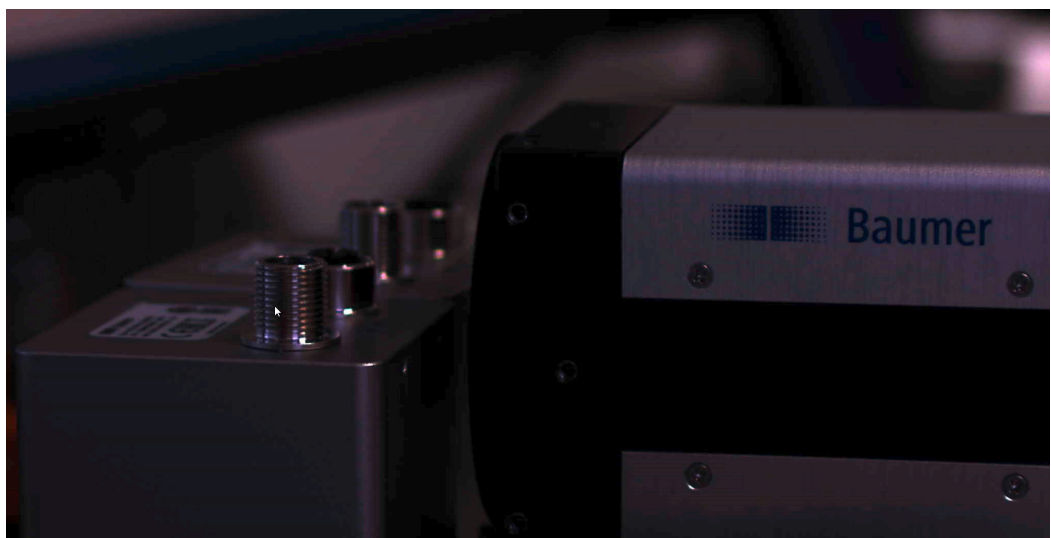
<b>Notice</b>	
The camera must be stopped before feature can be changed.	
<b>Name</b>	ImageCompressionQuality
<b>Category</b>	ImageFormatControl
<b>Interface</b>	Integer
<b>Access</b>	Read / Write
<b>Unit</b>	-
	10 ... 95 (Increment: 1)
<b>Values</b>	<b>Notice</b>
	10 = highest compression rate / 95 = lowest compression rate

#### Examples

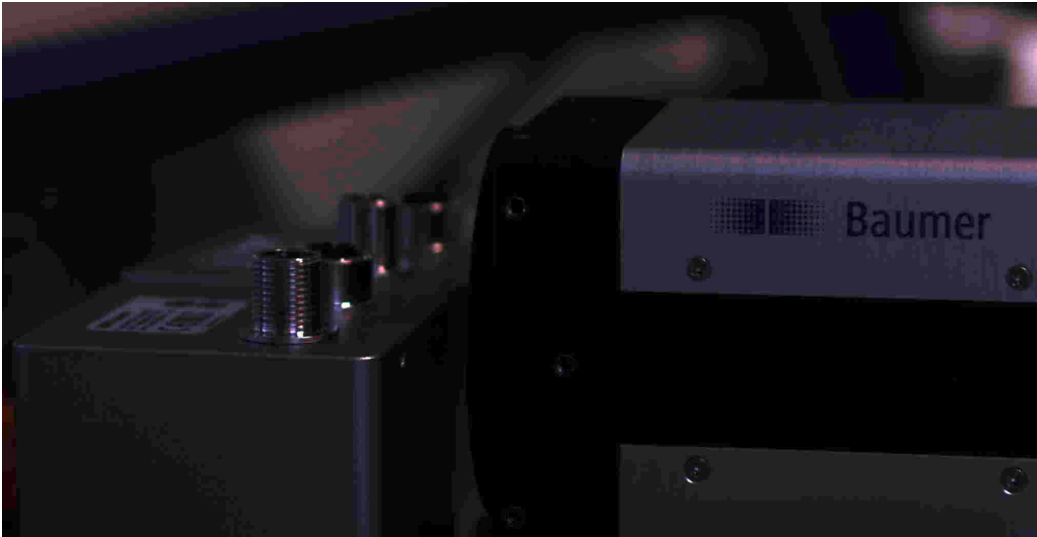
ImageCompressionQuality = 85 (low compression rate)



ImageCompressionQuality = 30



ImageCompressionQuality = 10 (highest compression rate)



### 7.13.11 ImageCompressionRateOption (.JP cameras only)

With this feature you can set the quality of the output stream.

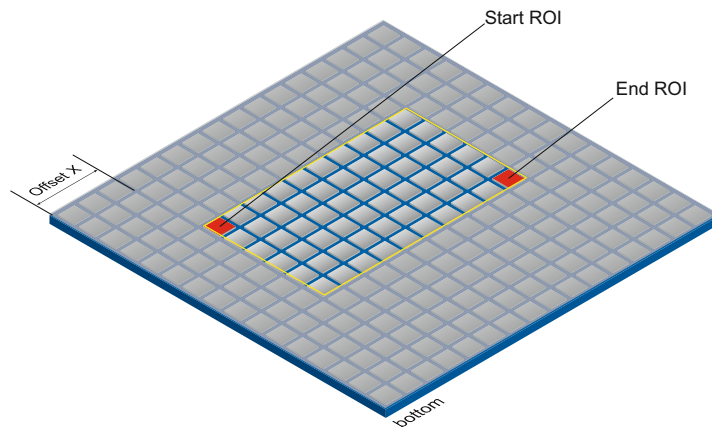
<b>Name</b>	ImageCompressionJPEGFormatOption	
<b>Category</b>	ImageFormatControl	
<b>Interface</b>	IEnumeration	
<b>Access</b>	Read / Write	
<b>Unit</b>	-	
<b>Values</b>	Fix Quality	Output stream has a constant image quality. Can be used when image processing algorithms are sensitive to image degradation caused by excessive data compression.

### 7.13.12 OffsetX

Horizontal offset from the origin to the region of interest (in pixels).

#### Notice

The sum of *OffsetX* and *Width* must be smaller or equal than *WidthMax*.



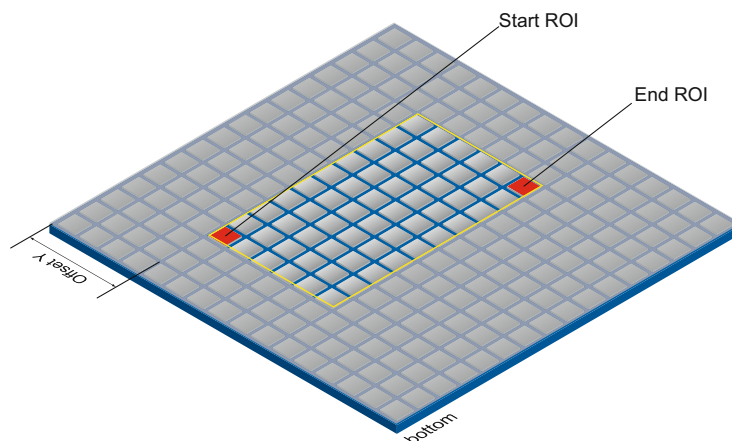
<b>Name</b>	OffsetX
<b>Category</b>	ImageFormatControl
<b>Interface</b>	Integer
<b>Access</b>	Read / Write
<b>Unit</b>	-
<b>Values</b>	0 - depends on setted <i>Width</i> (Increment: 32)

### 7.13.13 OffsetY

Vertical offset from the origin to the region of interest (in pixels).

#### Notice

The sum of *OffsetY* and *Height* must be smaller or equal than *HeightMax*.



<b>Name</b>	OffsetY
<b>Category</b>	ImageFormatControl
<b>Interface</b>	Integer
<b>Access</b>	Read / Write
<b>Unit</b>	-
<b>Values</b>	0 - depends on setted <i>Height</i> (Increment: 4)

### 7.13.14 PixelFormat

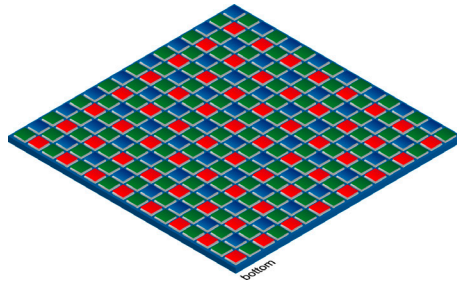
Format of the pixels provided by the device. It represents all the information provided by PixelCoding, PixelSize, PixelColorFilter combined in a single feature.

#### General Information

RAW: Raw data format. Here the data is stored without processing.

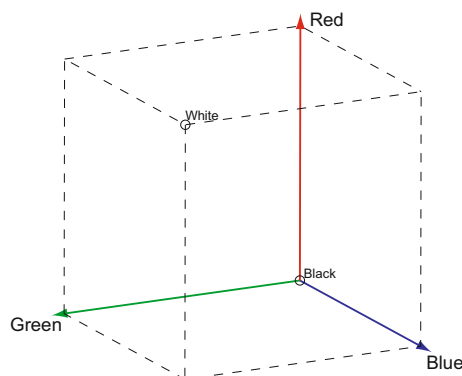
Bayer: Raw data format of color sensors.

Color filters are placed on these sensors in a checkerboard pattern, generally in a 50% green, 25% red and 25% blue array.



Mono: Monochrome. The color range of mono images consists of shades of a single color. In general, shades of gray or black-and-white are synonyms for monochrome.

RGB: Color model, in which all detectable colors are defined by three coordinates, Red, Green and Blue.



The three coordinates are displayed within the buffer in the order R, G, B.

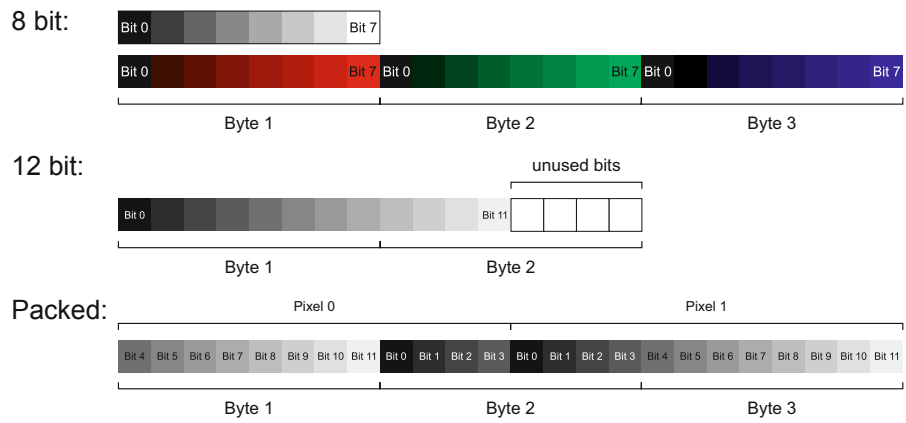
BGR: At BGR the interface of the camera mirrors the order of transmission of the color channels from RGB to BGR.

This can save processing power on the computer, because these data can be processed by the graphic card without conversion.

Pixel depth: In general, pixel depth defines the number of possible different values for each color channel. Mostly this will be 8 bit, which means  $2^8$  different "colors".

For RGB or BGR these 8 bits per channel equal 24 bits overall.

Two bytes are needed for transmitting more than 8 bits per pixel - even if the second byte is not completely filled with data. In order to save bandwidth, the packed formats were introduced to Baumer cameras. In this formats, the unused bits of one pixel are filled with data from the next pixel.



### Notice

The camera must be stopped before PixelFormat can be set.

<b>Name</b>	PixelFormat
<b>Category</b>	ImageFormatControl
<b>Interface</b>	IEnumeration
<b>Access</b>	Read / Write
<b>Unit</b>	-
<b>Values</b>	see next tables

Camera Type	Mono8	Mono10	Mono12	Mono12p	Bayer RG8	Bayer RG10	Bayer RG12	Bayer RG12p	RGB8	BGR8
<b>Monochrome</b>										
VLXT-06M.I (.JP)	■	■	■	■	□	□	□	□	□	□
VLXT-17M.I	■	■	■	■	□	□	□	□	□	□
VLXT-28M.I (.JP)	■	■	■	■	□	□	□	□	□	□
VLXT-31M(.I) (.FO)	■	■	■	■	□	□	□	□	□	□
VLXT-50M(.I) (.FO)	■	■	■	■	□	□	□	□	□	□
VLXT-71M.I	■	■	■	■	□	□	□	□	□	□
VLXT-90M(.I) (.JP) (.FO)	■	■	■	■	□	□	□	□	□	□
VLXT-123M(.I) (.FO)	■	■	■	■	□	□	□	□	□	□
VLXT-240M.I	■	■	■	■	□	□	□	□	□	□
VLXT-650M.I	■	■	■	■	□	□	□	□	□	□



Camera Type	Mono8	Mono10	Mono12	Mono12p	Bayer RG8	Bayer RG10	Bayer RG12	Bayer RG12p	RGB8	BGR8	YCbCr_422_8
<b>Color</b>											
VLXT-06C.I.JP	■	■	■	■	■	■	■	■	■	■	■
VLXT-31C.I.(.JP)	■	■	■	■	■	■	■	■	■	■	■
VLXT-50C.(I) (.FO)	■	■	■	■	■	■	■	■	■	■	□
VLXT-71C.I	■	■	■	■	■	■	■	■	■	■	□
VLXT-90C.I	■	■	■	■	■	■	■	■	■	■	□
VLXT-123C.I	■	■	■	■	■	■	■	■	■	■	□
VLXT-240C.I	■	■	■	■	■	■	■	■	■	■	□
VLXT-650C.I	■	■	■	■	■	■	■	■	■	■	□

\*) .JP cameras only

#### Notice

At (.JP) cameras and `ImageCompressionMode = JPEG`, only the pixel formats Mono8 and YCbCr422\_8 are available.

### 7.13.15 RegionMode (≥ Release 3 only)

Controls if the selected Region of interest is active and streaming.

#### Notice

The settings (Height, Width, OffsetX, OffsetY) of the respective region must be correct in order to be able to activate them.

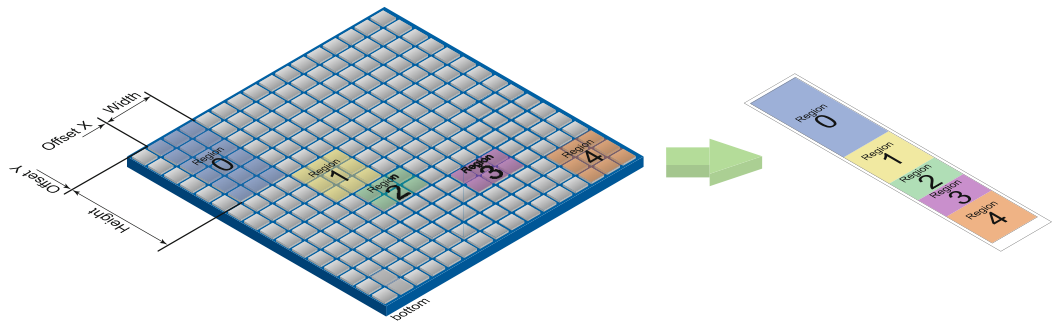
#### Notice

With activated ImageCompression (`ImageCompression = on`) the use of Region-Mode is not possible.

<b>Name</b>	RegionMode	
<b>Category</b>	ImageFormatControl	
<b>Interface</b>	IEnumeration	
<b>Access</b>	Read / Write	
<b>Unit</b>	-	
<b>Values</b>	On	Enable the usage of the Region.
	Off	Disable the usage of the Region.

### 7.13.16 RegionSelector (≥ Release 3 only)

Selects the Region of interest to control. The *RegionSelector* feature allows devices that are able to extract multiple regions out of an image, to configure the features of those individual regions independently.



Width = Width = Width = Width = Width  
(Region 0) (Region 1) (Region 2) (Region 3) (Region 4)  
 (Example with 5 ROI's. Maximum 8 ROI's are possible.)

<b>Name</b>	RegionSelector	
<b>Category</b>	ImageFormatControl	
<b>Interface</b>	IEnumeration	
<b>Access</b>	Read / Write	
<b>Unit</b>	-	
<b>Values</b>	Region0	Selected feature will control the region 0.
	Region1	Selected feature will control the region 1.
	Region2	Selected feature will control the region 2.
	Region3	Selected feature will control the region 3.
	Region4	Selected feature will control the region 4.
	Region5	Selected feature will control the region 5.
	Region6	Selected feature will control the region 6.
	Region7	Selected feature will control the region 7.

### 7.13.17 ReverseX (only mono cameras / pixel formats)

Flip horizontally the image sent by the device. The Region of interest is applied before the flipping.

#### Notice

The camera must be stopped before this feature can be set.

<b>Name</b>	ReverseX
<b>Category</b>	ImageFormatControl
<b>Interface</b>	IBoolean
<b>Access</b>	Read / Write
<b>Unit</b>	-
<b>Values</b>	true = 1 (On)
	false = 0 (Off)

### 7.13.18 ReverseY (only monochrome cameras / pixel formats)

Flip vertically the image sent by the device. The Region of interest is applied before the flipping.

#### Notice

The camera must be stopped before this feature can be set.

<b>Name</b>	ReverseY
<b>Category</b>	ImageFormatControl
<b>Interface</b>	IBoolean
<b>Access</b>	Read / Write
<b>Unit</b>	-
<b>Values</b>	true = 1 (On)
	false = 0 (Off)

### 7.13.19 SensorADDigitization

The feature controls the sensors AD digitization in bits per pixels.

#### Notice

The camera must be stopped before this feature can be set.

<b>Name</b>	SensorADDigitization	
<b>Category</b>	ImageFormatControl	
<b>Interface</b>	IEnumeration	
<b>Access</b>	Read / Write	
<b>Unit</b>	-	
<b>Values</b>	Bpp10	The sensors AD digitization is 10 bit per pixel.
	Bpp12	The sensors AD digitization is 12 bit per pixel.
	Bpp8	The sensors AD digitization is 8 bits per pixel

### 7.13.20 SensorHeight

Effective height of the sensor in pixels.

<b>Name</b>	SensorHeight
<b>Category</b>	ImageFormatControl
<b>Interface</b>	Integer
<b>Access</b>	Read only
<b>Unit</b>	-
<b>Values</b>	0 ... 65535 (Increment: 1)

### 7.13.21 SensorName (≥ Release 2 only)

Product name of the imaging Sensor.

<b>Name</b>	SensorName
<b>Category</b>	ImageFormatControl
<b>Interface</b>	IString
<b>Access</b>	Read only
<b>Unit</b>	-
<b>Values</b>	e. g. IMX255

### 7.13.22 SensorPixelHeight (≥ Release 2 only)

Physical size (pitch) in the y direction of a photo sensitive pixel unit.

<b>Name</b>	SensorPixelHeight
<b>Category</b>	ImageFormatControl
<b>Interface</b>	IFloat
<b>Access</b>	Read only
<b>Unit</b>	um
<b>Values</b>	0.000000 ... 255.000000 (Increment: 1)

### 7.13.23 SensorPixelWidth (≥ Release 2 only)

Physical size (pitch) in the x direction of a photo sensitive pixel unit.

<b>Name</b>	SensorPixelWidth
<b>Category</b>	ImageFormatControl
<b>Interface</b>	IFloat
<b>Access</b>	Read only
<b>Unit</b>	um
<b>Values</b>	0.000000 ... 255.000000 (Increment: 1)

### 7.13.24 SensorWidth

Effective width of the sensor in pixels.

<b>Name</b>	SensorWidth
<b>Category</b>	ImageFormatControl
<b>Interface</b>	Integer
<b>Access</b>	Read only
<b>Unit</b>	-
<b>Values</b>	0 ... 65535 (Increment: 1)

### 7.13.25 TestPattern

Selects the type of test pattern that is generated by the device as image source.

<b>Name</b>	TestPattern
<b>Category</b>	ImageFormatControl
<b>Interface</b>	Enumeration
<b>Access</b>	Read / Write
<b>Unit</b>	-
<b>Values</b>	see table below

The following values are possible:

GreyDiagonalRamp	GreyVerticalRampHorizontalAndVerticalLineMoving
GreyDiagonalRampHorizontalAndVerticalLineMoving	GreyVerticalRampHorizontalLineMoving
GreyDiagonalRampHorizontalLineMoving	GreyVerticalRampVerticalLineMoving
GreyDiagonalRampVerticalLineMoving	HorizontalAndVerticalLineMoving
GreyHorizontalRamp	HorizontalLineMoving
GreyHorizontalRampHorizontalAndVerticalLineMoving:	Off
GreyHorizontalRampHorizontalLineMoving	PseudonoiseAndStaticRegions (.JP only) AVAILABLE: (TestPatternGeneratorSelector = ImageProcessor).
GreyHorizontalRampVerticalLineMoving	VerticalLineMoving
GreyVerticalRamp	

### 7.13.26 TestPatternGeneratorSelector

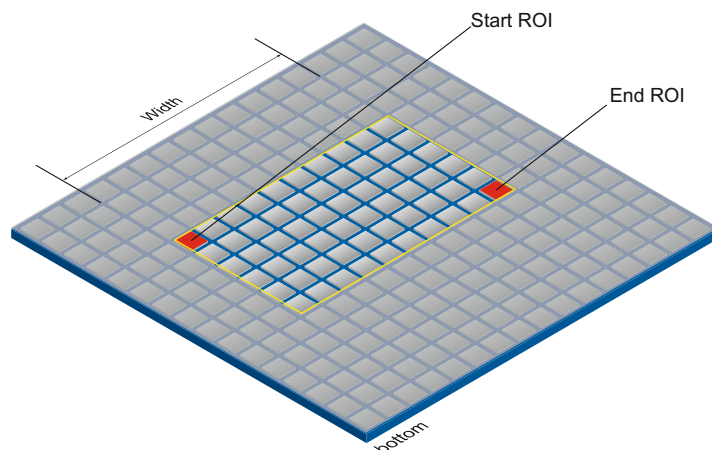
Selects which test pattern generator is controlled by the *TestPattern* feature.

<b>Name</b>	TestPatternGeneratorSelector	
<b>Category</b>	ImageFormatControl	
<b>Interface</b>	IEnumeration	
<b>Access</b>	Read / Write	
<b>Unit</b>	-	
<b>Values</b>	ImageProcessor	TestPattern feature will control the image processor.
	Sensor Processor	TestPattern feature will control the sensor processor.

### 7.13.27 Width

Width of the image provided by the device (in pixels).

<b>Notice</b>
<b>(≥ Release 3 only)</b>
When using Multi-ROI, all ROI's must have the same width.



<b>Name</b>	Width
<b>Category</b>	ImageFormatControl
<b>Interface</b>	IInteger
<b>Access</b>	Read / Write
<b>Unit</b>	-
<b>Values</b>	see table below

---

**Camera Type**

---

**Monochrome**

VLXT-06M.I (.JP)	64 ... 800 (Increment: 32)
VLXT-17M.I	64 ... 1600 (Increment: 32)
VLXT-28M.I (.JP)	64 ... 1920 (Increment: 32)
VLXT-31M(.I) (.FO)	32 ... 2048 (Increment: 16)
VLXT-50M(.I) (.FO)	32 ... 2448 (Increment: 16)
VLXT-71M.I	64 ... 3200 (Increment: 32)
VLXT-90M(.I) (.JP) (.FO)	64 ... 4096 (Increment: 32)
VLXT-123M(.I) (.FO)	64 ... 4096 (Increment: 32)
VLXT-240M.I	64 ... 5312 (Increment: 32)
VLXT-650M.I	64 ... 9344 (Increment: 32)

**Color**

VLXT-06C.I.JP	64 ... 800 (Increment: 32)
VLXT-31C.I (.JP)	32 ... 2048 (Increment: 16)
VLXT-50C(.I) (.FO)	32 ... 2448 (Increment: 16)
VLXT-71C.I	64 ... 3200 (Increment: 32)
VLXT-90C.I	32*   64 ... 4096 (Increment: 16*   32)
VLXT-123C.I	32*   64 ... 4096 (Increment: 16*   32)
VLXT-240C.I	64 ... 5312 (Increment: 32)
VLXT-650C.I	32 ... 9344 (Increment: 16)

---

\*) ≥ Release 2

### 7.13.28 WidthMax

Maximum width of the image (in pixels). The dimension is calculated after horizontal binning, decimation or any other function changing the horizontal dimension of the image.

<b>Name</b>	WidthMax
<b>Category</b>	ImageFormatControl
<b>Interface</b>	Integer
<b>Access</b>	Read only
<b>Unit</b>	-
<b>Values</b>	Resolution of the sensor in X-direction.

#### Camera Type

##### Monochrome

VLXT-06M.I (.JP)	800
VLXT-17M.I	1600
VLXT-28M.I (.JP)	1920
VLXT-31M(.I) (.FO)	2048
VLXT-50M(.I) (.FO)	2448
VLXT-71M.I	3200
VLXT-90M(.I) (.JP) (.FO)	4096
VLXT-123M(.I) (.FO)	4096
VLXT-240M.I	5312
VLXT-650M.I	9344

##### Color

VLXT-06C.I.JP	800
VLXT-31C.I (.JP)	2048
VLXT-50C(.I) (.FO)	2448
VLXT-71C.I	3200
VLXT-90C.I	4096
VLXT-123C.I	4096
VLXT-240C.I	5312
VLXT-650C.I	9344



## 7.14 Category: ImageProcessingControl (≥ Release 3 only)

Category that contains the Baumer image processing features.

### General Information - Shading Correction

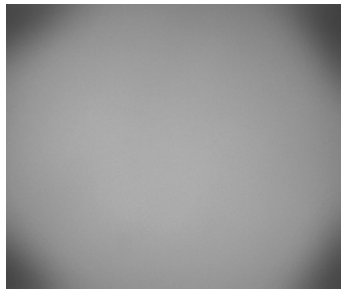
Uneven lighting can result in some areas of the image being darker than others. Shading Correction provides the option to compensate for brightness irregularities in the image.

### How to set up Shading Correction with Baumer Camera Explorer

1. Start the *Camera Explorer*. Connect to the camera. Select the profile *GenICam Guru* if necessary..
2. Open the category *Image Processing Control*.
3. Configure the lighting situation as it will be for the planned application.

4. Place an homogeneous white or grey template in the camera's field of view.

Clear shadings can be seen in the corners.



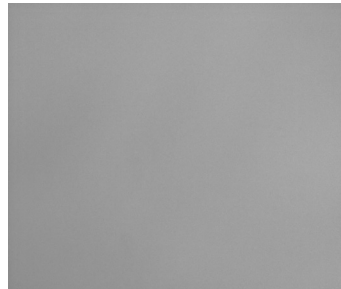
5. Activate the Shading Correction by checking the *ShadingEnable* box.
6. Start the Shading Correction by executing the command *ShadingCalibration-Start*.

#### Notice

The execution of the shading correction can take 5 - 15 s depending on the sensor size!

7. Now you will see a corrected image without shadings in the corners.

If necessary, change the lighting situation and run the *ShadingCalibration-Start* command again if not all shading should be corrected.



#### Notice

To completely delete the correction data of a Shading Correction, a *DeviceResetToDeliveryState* must be executed.

[see chapter „7.9.16 DeviceResetToDeliveryState“ on page 84](#)

### 7.14.1 ShadingCalibrationStart

Starts the Shading Calibration.

Notice	
To execute the Shading Correction: <code>SequencerMode = Off</code> .	
<b>Name</b>	ShadingCalibrationStart
<b>Category</b>	ImageProcessingControl
<b>Interface</b>	ICommand
<b>Access</b>	Write only
<b>Unit</b>	-
<b>Values</b>	-

### 7.14.2 ShadingEnable

Enables the Shading Correction.

Notice	
To activate <i>ShadingEnable</i> , no Multi-ROI must be defined. <a href="#">see chapter „7.13.15 RegionMode (≥ Release 3 only)“ on page 137</a>	
<b>Name</b>	ShadingEnable
<b>Category</b>	ImageProcessingControl
<b>Interface</b>	IBoolean
<b>Access</b>	Read / Write
<b>Unit</b>	-
<b>Values</b>	true = 1 (On) false = 0 (Off)

### 7.14.3 SharpeningFactor

This feature contains the factor for Sharpening.

<b>Name</b>	SharpeningFactor
<b>Category</b>	ImageProcessingControl
<b>Interface</b>	IInteger
<b>Access</b>	Read / Write
<b>Unit</b>	-
<b>Values</b>	1 ... 5 (Increment: 1)

#### 7.14.4 SharpeningMode

This feature selects the Sharpening Mode.

<b>Name</b>	SharpeningMode	
<b>Category</b>	ImageProcessingControl	
<b>Interface</b>	IEnumeration	
<b>Access</b>	Read / Write	
<b>Unit</b>	-	
<b>Values</b>	ActiveNoiseReduction	Sharpening is enabled in active noise reduction mode.
	AdaptiveSharpening	Sharpening is enabled in adaptive sharpening mode.
	GlobalSharpening	Sharpening is enabled in global sharpening mode.
	Off	Sharpening is disabled.

#### 7.14.5 SharpeningSensitivityThreshold

This feature holds the value of the Sharpening Sensitivity Threshold.

<b>Name</b>	SharpeningSensitivityThreshold	
<b>Category</b>	ImageProcessingControl	
<b>Interface</b>	IInteger	
<b>Access</b>	Read / Write	
<b>Unit</b>	-	
<b>Values</b>	1 ... 5 (Increment: 1)	

## 7.15 Category: LUTControl

Features in this chapter describe the Look-up table (LUT) related features. For LUT related features, certain values are stored in the camera. This includes the coordinates of defective pixels so that they can be corrected.

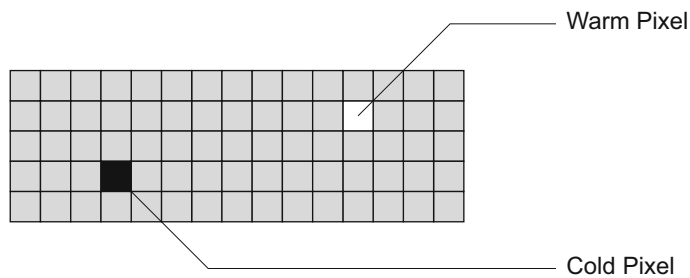
### General information (Pixel Correction)

There is a certain probability of abnormal pixels – so-called defect pixels – occurring within sensors from all manufacturers. The charge quantity of these pixels is not linearly dependent on the exposure time.

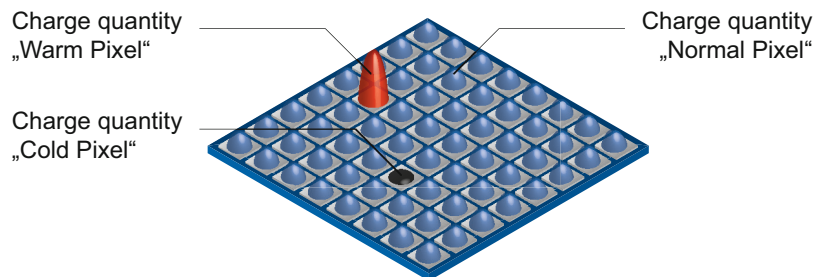
The occurrence of these defect pixels is unavoidable and intrinsic to the manufacturing and aging process of the sensors.

The operation of the camera is not affected by these pixels. They only appear as brighter (warm pixel) or darker (cold pixel) spots on the recorded image.

Distinction of "hot" and "cold" pixels within the recorded image.



Charge quantity of "hot" and "cold" pixels compared with "normal" pixels:

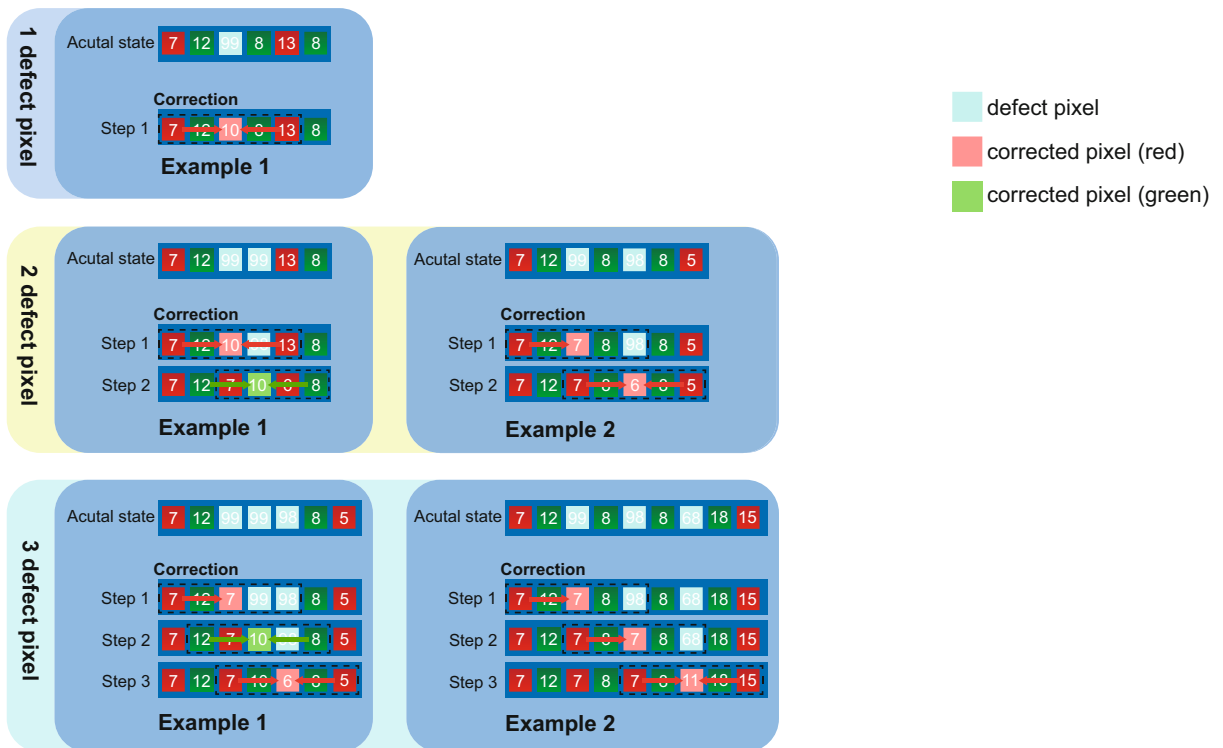


## Correction Algorithm (Pixel Correction)

On Baumer cameras the problem of defect pixels is solved as follows:

- Possible defect pixels are identified during the production process of the camera.
- The coordinates of these pixels are stored in the factory settings of the camera.
- Once the sensor readout is completed, correction takes place:
  - Before any other processing, the values of the neighboring pixels on the left and the right side of the defect pixels, will be read out. (within the same bayer phase for color)
  - Then the average value of these 2 pixels is determined to correct the first defect pixel
  - Finally, the value of the second defect pixel is corrected by using the previously corrected pixel and the pixel of the other side of the defect pixel.

### Examples for the correction of defect pixels



### General Information (Defect Pixel List)

As stated previously, this list is determined during the camera's production and stored in the factory settings.

Additional hot or cold pixels can develop during the lifecycle of a camera. If this happens, Baumer gives you the option to add their coordinates to the defect pixel list.

You can determine the coordinates<sup>\*)</sup> of the affected pixels and add them to the list. Once the defect pixel list is stored in a user set, pixel correction is carried out for all coordinates on the defect pixel list.

#### Notice

There are defect pixels, which occur only under certain environmental parameters. These include temperatures or exposure settings.

Complete defect pixels that occur in your application.

\*) Position in relation to full frame format (raw data format)

## Add Defect Pixel to Defect Pixel List with Baumer Camera Explorer

### Notice

The addition of defect pixels must be done in FullFrame (without *Binning*, without *Width / Height / OffsetX / OffsetY*), in raw data format and without activated color calculation.

1. Start the *Camera Explorer*. Connect to the camera. Select the profile *GenICam Guru* if necessary..
2. Open the category *LUT Control*.
3. Locate an empty *Defect Pixel List Index*.  
*Defect Pixel List Entry PosX = 0*  
*Defect Pixel List Entry PosY = 0*  
Avoid using existing coordinates!
4. Determine the coordinates of the defect pixel. Keep the mouse pointer over the defect pixel. The coordinates of the defect pixel is displayed in the status bar.  
For simplification, you can enlarge the image.
5. Enter the determined coordinates for X (*Defect Pixel List Entry PosX*) and Y (*Defect Pixel List Entry PosY*).
6. Activate the registered *Defect Pixel List Index* (*Defect Pixel List Entry Active = True*).
7. Stop the camera and start them again to take over the updated coordinates.

### 7.15.1 DefectPixelCorrection

Enable the correction of defect pixels.

<b>Name</b>	DefectPixelCorrection
<b>Category</b>	LUTControl
<b>Interface</b>	IBoolean
<b>Access</b>	Read / Write
<b>Unit</b>	-
<b>Values</b>	true = 1 (On) false = 0 (Off)

### 7.15.2 DefectPixelListEntryActive

Determines if the pixel correction is active for the selected entry.

<b>Name</b>	DefectPixelListEntryActive
<b>Category</b>	LUTControl
<b>Interface</b>	IBoolean
<b>Access</b>	Read / Write
<b>Unit</b>	-
<b>Values</b>	true = 1 (On) false = 0 (Off)

### 7.15.3 DefectPixelListEntryPosX

X position of the defect pixel.

<b>Name</b>	DefectPixelListEntryPosX
<b>Category</b>	LUTControl
<b>Interface</b>	Integer
<b>Access</b>	Read / Write
<b>Unit</b>	-
<b>Values</b>	0 ... Resolution of the sensor in X-direction. (Increment: 1)

### 7.15.4 DefectPixelListEntryPosY

Y position of the defect pixel.

<b>Name</b>	DefectPixelListEntryPosY
<b>Category</b>	LUTControl
<b>Interface</b>	Integer
<b>Access</b>	Read / Write
<b>Unit</b>	-
<b>Values</b>	0 ... Resolution of the sensor in Y-direction. (Increment: 1)

### 7.15.5 DefectPixelListIndex

Index to the pixel correction list.

<b>Name</b>	DefectPixelListIndex
<b>Category</b>	LUTControl
<b>Interface</b>	Integer
<b>Access</b>	Read / Write
<b>Unit</b>	-
<b>Values</b>	0 ... 511 (Increment: 1)

### 7.15.6 DefectPixelListSelector

Selects which Defect Pixel List to control.

<b>Name</b>	DefectPixelListSelector
<b>Category</b>	LUTControl
<b>Interface</b>	Enumeration
<b>Access</b>	Read / Write
<b>Unit</b>	-
<b>Values</b>	Pixel            Selects Defect Pixel List for defect pixels.

### 7.15.7 LUTContent

Describes the content of the selected LUT.

<b>Name</b>	LUTContent	
<b>Category</b>	LUTControl	
<b>Interface</b>	IEnumeration	
<b>Access</b>	Read / Write	
<b>Unit</b>	-	
<b>Values</b>	Gamma	The content of the selected LUT is defined by the value of the feature Gamma.
	UserdefinedLUT	The content of the selected LUT is user defined.

### 7.15.8 LUTEnable

Activates the selected LUT.

<b>Name</b>	LUTEnable	
<b>Category</b>	LUTControl	
<b>Interface</b>	IBoolean	
<b>Access</b>	Read / Write	
<b>Unit</b>	-	
<b>Values</b>	true = 1 (On)	
	false = 0 (Off)	

### 7.15.9 LUTIndex

Control the index (offset) of the coefficient to access in the selected LUT.

<b>Name</b>	LUTIndex	
<b>Category</b>	LUTControl	
<b>Interface</b>	IInteger	
<b>Access</b>	Read / Write	
<b>Unit</b>	-	
<b>Values</b>	0 ... 4095 (Increment: 1)	

### 7.15.10 LUTSelector

Selects which LUT to control.

<b>Name</b>	LUTContent	
<b>Category</b>	LUTControl	
<b>Interface</b>	IEnumeration	
<b>Access</b>	Read / Write	
<b>Unit</b>	-	
<b>Values</b>	Luminance	Selects the Luminance LUT.



### 7.15.11 LUTValue

Returns the Value at entry LUTIndex of the LUT selected by LUTSelector.

<b>Name</b>	LUTValue
<b>Category</b>	LUTControl
<b>Interface</b>	Integer
<b>Access</b>	Read / Write
<b>Unit</b>	-
<b>Values</b>	0 ... 4095 (Increment: 1)

## 7.16 Category: MemoryManagement

Category to support the cameras buffer management in memory.

Notice
Memory management is not used when: <code>AcquisitionMode = Continous</code> and <code>TriggerMode = Off.</code>  Memory management is used when: <code>AcquisitionMode = MultiFrame</code> or <code>TriggerMode = On</code> or <code>SequencerMode = On</code>

### 7.16.1 MemoryFreeBlocks

Count of free memory blocks for configuration. It depends on partial scan features, pixel-format and selected acquisition format.

<b>Name</b>	MemoryFreeBlocks
<b>Category</b>	MemoryManagement
<b>Interface</b>	Integer
<b>Access</b>	Read only
<b>Unit</b>	-
<b>Values</b>	-2147483648 ... 2147483647 (Increment: 1)

### 7.16.2 MemoryMaxBlocks

Maximum count of available memory blocks. It depends on partial scan features, pixel format and selected acquisition format.

<b>Name</b>	MemoryMaxBlocks
<b>Category</b>	MemoryManagement
<b>Interface</b>	Integer
<b>Access</b>	Read only
<b>Unit</b>	-
<b>Values</b>	0 ... 4294967295 (Increment: 1)

### 7.17 Category: OpticControl (≥ Release 3 only)

Category for the data Optic Control features.

Notice
All features of this category are only available if:  DeviceFrontUARTSource = Optic Control  <a href="#">see chapter „7.9.5 DeviceFrontUARTSource (≥ Release 3 only)“ on page 81</a>

#### 7.17.1 FocalLength

Focal length in millimeters.

<b>Name</b>	FocalLength
<b>Category</b>	OpticControl
<b>Interface</b>	IFloat
<b>Access</b>	Read only
<b>Unit</b>	mm
<b>Values</b>	0 ... 4,294,967,295,000000 (Increment:1.00)

#### 7.17.2 FocusStepper

Specifies the integer value of the Focus.

Notice
The cameras are frequently installed in industrial environments. These environments often include devices that generate electromagnetic interference (EMI) and they are prone to electrostatic discharge (ESD). Excessive EMI and ESD can change the set focus. Update this value if necessary.

<b>Name</b>	FocusStepper
<b>Category</b>	OpticControl
<b>Interface</b>	Integer
<b>Access</b>	Read / Write
<b>Unit</b>	-
<b>Values</b>	0 ... 46000 (Increment: 1)

### 7.17.3 OpticControllerFirmwareVersion

Firmware version of the optic controller.

#### Notice

This feature is always available when a lens is detected, even if the lens has an unsupported firmware version.

<b>Name</b>	OpticControllerFirmwareVersion
<b>Category</b>	OpticControl
<b>Interface</b>	Integer
<b>Access</b>	Read only
<b>Unit</b>	-
<b>Values</b>	0 ... 4294967295 (Increment: 1)

### 7.17.4 OpticControllerInitialize

Initializes the optic controller and makes it ready for use.

#### Notice

For lens detection, you must execute this command after connecting the lens. After detecting a supported lens, the corresponding features are available.

<b>Name</b>	OpticControllerInitialize
<b>Category</b>	OpticControl
<b>Interface</b>	ICommand
<b>Access</b>	Write only
<b>Unit</b>	-
<b>Values</b>	-

### 7.17.5 OpticControllerModelName

Model name of the optic controller.

<b>Name</b>	OpticControllerModelName
<b>Category</b>	OpticControl
<b>Interface</b>	IString
<b>Access</b>	Read only
<b>Unit</b>	-
<b>Values</b>	e.g. Caspian C-C-39N0-160R33

### 7.17.6 OpticControllerSelector

Selects which optic controller to configure.

<b>Name</b>	OpticControllerSelector
<b>Category</b>	OpticControl
<b>Interface</b>	IEnumeration
<b>Access</b>	Read / Write
<b>Unit</b>	-
<b>Values</b>	OpticController0    Optic Controller 0.

### 7.17.7 OpticControllerSerialNumber

Serial number of the optic controller.

<b>Name</b>	OpticControllerSerialNumber
<b>Category</b>	OpticControl
<b>Interface</b>	IString
<b>Access</b>	Read only
<b>Unit</b>	-
<b>Values</b>	e.g. 1731170157

### 7.17.8 OpticControllerStatus

Reads the state of the optic controller.

<b>Name</b>	OpticControllerStatus
<b>Category</b>	OpticControl
<b>Interface</b>	IEnumeration
<b>Access</b>	Read only
<b>Unit</b>	-
<b>Values</b>	NotConnected    The optic device is not available. NotSupported    The optic device is not supported. Ready            The optic device is connected and available.

### 7.17.9 OpticControllerTemperature

Optical controller temperature in degrees Celsius (C).

<b>Name</b>	OpticControllerTemperature
<b>Category</b>	OpticControl
<b>Interface</b>	IFloat
<b>Access</b>	Read only
<b>Unit</b>	°C
<b>Values</b>	-127.0 ... 127.0

### 7.17.10 OpticControllerThermalCompensation

The focus of the lens may change as the operating temperature increases. With this feature you enable or disable the thermal compensation of the optic controller.

#### Notice

Function available for Varioptic with firmware  $\geq$  v38.

<b>Name</b>	OpticControllerThermalCompensation
<b>Category</b>	OpticControl
<b>Interface</b>	IBoolean
<b>Access</b>	Read / Write
<b>Unit</b>	-
<b>Values</b>	true = 1 (On) false = 0 (Off)

### 7.17.11 OpticControllerVendorName

Name of the manufacturer of the optic controller.

<b>Name</b>	OpticControllerVendorName
<b>Category</b>	OpticControl
<b>Interface</b>	IString
<b>Access</b>	Read only
<b>Unit</b>	-
<b>Values</b>	e.g. Corning Varioptic

## 7.18 Category: SequencerControl

Category for the Sequencer Control features.

The Sequencer enables the possibility of image series recording including automated re-parameterization of the camera based on different events and signals. Therefore the desired camera settings for each step are stored in so called sequencer sets.

Stringing together a number of these sequencer sets results in a sequence. The connection of sequences is done by using different paths. Alongside the camera features the path related features are also part of a sequencer set.

### Notice

With the Feature *SequencerFeatureSelector* you can see all available features of a Sequencer Set.

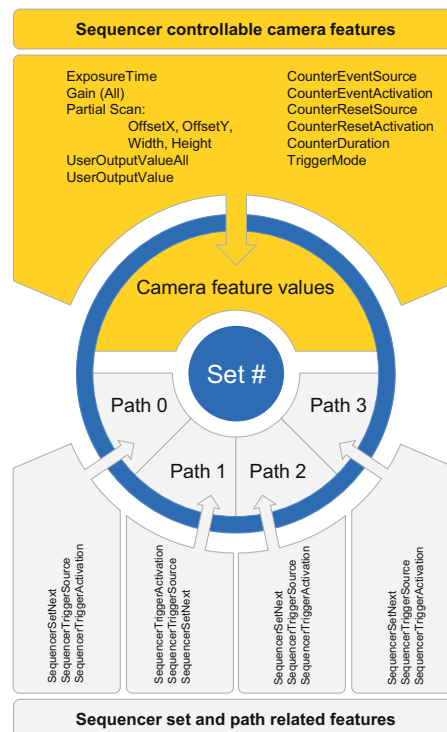
### Sequencer sets

Sequencer sets combine camera features – comparable with a user set – and sequencer (set and path) related parameters.

Settings for several camera features such as:

- Exposure time
- Gain
- Region of Interest (OffsetX / OffsetY / Width / Height)
- User output
- Counter

can be controlled by the sequencer and thus stored to a sequencer set as well as information for the set switch-over via four different paths.



Each path involves:

- the destination for the set switch-over that is mapped by the SequencerSetNext feature
- the signal, whose change of state is used for triggering the set switch-over and that is mapped as SequencerTriggerSource
- the change of state triggering the set switch-over and that is mapped as 'SequencerTriggerActivation'

As with user sets the camera's current settings are overwritten once a sequencer set is loaded and the sequencer is activated.

## Sequencer configuration

In order to avoid overwriting current camera settings while configuring a sequencer, the camera needs to be set to the sequencer configuration mode.

Once the camera is set to the sequencer configuration mode, the individual sequencer sets can be selected via the SequencerSetSelector, configured and saved by executing SequencerSetSave. Sequencer Sets can also be loaded and modified.

Starting the configured sequence requires to switch the sequencer configuration mode off and to enable the sequencer mode.

### 7.18.1 SequencerConfigurationMode

Controls if the sequencer configuration mode is active.

<b>Name</b>	SequencerConfigurationMode	
<b>Category</b>	SequencerControl	
<b>Interface</b>	IEnumeration	
<b>Access</b>	Read / Write	
<b>Unit</b>	-	
<b>Values</b>	On	Enables the sequencer configuration mode.
	Off	Disables the sequencer configuration mode.

### 7.18.2 SequencerFeatureEnable

Enables the selected feature and make it active in all the sequencer sets.

<b>Name</b>	SequencerFeatureEnable	
<b>Category</b>	SequencerControl	
<b>Interface</b>	IBoolean	
<b>Access</b>	Read only	
<b>Unit</b>	-	
<b>Values</b>	true = 1 (On)	
	false = 0 (Off)	

### 7.18.3 SequencerFeatureSelector

Selects the camera features that are controlled by the sequencer.

<b>Name</b>	SequencerFeatureSelector	
<b>Category</b>	SequencerControl	
<b>Interface</b>	IEnumeration	
<b>Access</b>	Read / Write	
<b>Unit</b>	-	
<b>Values</b>	CounterDuration	Sets the duration (or number of events) before the CounterEnd event is generated.
	CounterEventActivation	Selects the Activation mode Event Source signal.
	CounterEventSource	Select the events that will be the source to increment the Counter.
	CounterResetActivation	Selects the Activation mode of the Counter Reset Source signal.
	CounterResetSource	Selects the signals that will be the source to reset the Counter.
	ExposureMode	Sets the operation mode of the Exposure (or shutter).
	ExposureTime	Returns the exposure time used to capture the image.
	Gain	Controls the selected gain as an absolute physical value.
	Height	Height of the image provided by the device (in pixels).
	OffsetX	Horizontal offset from the origin to the region of interest (in pixels).
	OffsetY	Vertical offset from the origin to the region of interest (in pixels).
	TriggerMode	Controls if the selected trigger is active.
	UserOutputValue	Sets the value of the bit selected by UserOutputSelector.
	UserOutputValueAll	Sets the value of all the bits of the User Output register.
	Width	Width of the image provided by the device (in pixels).



### 7.18.4 SequencerMode

Controls if the sequencer mechanism is active.

#### Notice

To activate the feature, the following requirements must be accomplished:

```
BalanceWhiteAuto = off
SequencerConfigurationMode = off
HDREnable = false
```

#### ≥ Release 3 only

When the sequencer is active (`SequencerMode = on`), the sequencer sets can be loaded. Therefore the features *SequencerSetSelector* and *SequencerSetLoad* are available. After executing the *SequencerSetLoad* command, the selected sequencer set settings can be read as in sequencer configuration mode.

<b>Name</b>	SequencerMode	
<b>Category</b>	SequencerControl	
<b>Interface</b>	IEnumeration	
<b>Access</b>	Read / Write	
<b>Unit</b>	-	
<b>Values</b>	On	Enables the sequencer.
	Off	Disables the sequencer.

### 7.18.5 SequencerPathSelector

Selects the path that contains the settings coming afterward.

<b>Name</b>	SequencerPathSelector
<b>Category</b>	SequencerControl
<b>Interface</b>	Integer
<b>Access</b>	Read / Write
<b>Unit</b>	-
<b>Values</b>	0 ... 3 (Increment: 1)

### 7.18.6 SequencerSetActive

Contains the currently active sequencer set.

<b>Name</b>	SequencerSetActive
<b>Category</b>	SequencerControl
<b>Interface</b>	Integer
<b>Access</b>	Read / Write
<b>Unit</b>	-
<b>Values</b>	0 ... 127 (Increment: 1)

### 7.18.7 SequencerSetLoad

Loads the sequencer set selected by SequencerSetSelector in the device.

<b>Name</b>	SequencerSetLoad
<b>Category</b>	SequencerControl
<b>Interface</b>	ICommand
<b>Access</b>	Write only
<b>Unit</b>	-
<b>Values</b>	-

### 7.18.8 SequencerSetNext

Specifies the next sequencer set.

<b>Name</b>	SequencerSetNext
<b>Category</b>	SequencerControl
<b>Interface</b>	IInteger
<b>Access</b>	Read / Write
<b>Unit</b>	-
<b>Values</b>	0 ... 127 (Increment: 1)

### 7.18.9 SequencerSetSave

Saves the current device state to the sequencer set selected by the SequencerSetSelector.

<b>Name</b>	SequencerSetSave
<b>Category</b>	SequencerControl
<b>Interface</b>	ICommand
<b>Access</b>	Write only
<b>Unit</b>	-
<b>Values</b>	-

### 7.18.10 SequencerSetSelector

Selects the sequencer set to which further feature settings applies.

<b>Name</b>	SequencerSetSelector
<b>Category</b>	SequencerControl
<b>Interface</b>	IInteger
<b>Access</b>	Read / Write
<b>Unit</b>	-
<b>Values</b>	0 ... 127 (Increment: 1)

### 7.18.11 SequencerSetStart

Sets the initial/start sequencer set, which is the first set used within a sequencer.

<b>Name</b>	SequencerSetStart
<b>Category</b>	SequencerControl
<b>Interface</b>	Integer
<b>Access</b>	Read / Write
<b>Unit</b>	-
<b>Values</b>	0 ... 127 (Increment: 1)

### 7.18.12 SequencerTriggerActivation

Defines the signals edge that triggers the sequencer.

<b>Name</b>	SequencerTriggerActivation	
<b>Category</b>	SequencerControl	
<b>Interface</b>	Enumeration	
<b>Access</b>	Read / Write	
<b>Unit</b>	-	
<b>Values</b>	AnyEdge	Specifies that the trigger is considered valid on the falling or rising edge of the source signal.
	FallingEdge	Specifies that the trigger is considered valid on the falling edge of the source signal.
	LevelHigh (≥ Rel. 2)	Specifies that the trigger is considered valid as long as the level of the source signal is high.
	LevelLow (≥ Rel. 2)	Specifies that the trigger is considered valid as long as the level of the source signal is low.
	RisingEdge	Specifies that the trigger is considered valid on the rising edge of the source signal.

### 7.18.13 SequencerTriggerSource

Specifies the internal signal or physical input line to use as the sequencer trigger source.

<b>Name</b>	SequencerTriggerSource	
<b>Category</b>	SequencerControl	
<b>Interface</b>	IEnumeration	
<b>Access</b>	Read / Write	
<b>Unit</b>	-	
<b>Values</b>	Counter-1End	Starts with the reception of the Counter End.
	Counter-2End	Starts with the reception of the Counter End.
	Exposure-Active	Starts with the reception of the Exposure Active.
	Line0	Specifies Line 0 as external trigger source.
	Line1 (≥ Rel. 2)	Specifies Line 1 as external trigger source.
	Off	Disables the sequencer trigger.
	ReadOutActive	Starts with the reception of the Read Out Active.
	Timer1End	Starts with the reception of the Timer End.

## 7.19 Category: TransferControl

Category for the data Transfer Control features.

### 7.19.1 TransferStart

Starts the streaming of data blocks out of the device.

If the TransferStart feature is not writable (locked), the application should not start the transfer and should avoid using the feature until it becomes writable again.

<b>Name</b>	TransferStart
<b>Category</b>	TansferControl
<b>Interface</b>	ICommand
<b>Access</b>	Write only
<b>Unit</b>	-
<b>Values</b>	-

### 7.19.2 TransferStatus

Reads the status of the Transfer module signal selected by *TransferStatusSelector*.

<b>Name</b>	TransferStatus
<b>Category</b>	TansferControl
<b>Interface</b>	IBoolean
<b>Access</b>	Read only
<b>Unit</b>	-
<b>Values</b>	true = 1 (On) false = 0 (Off)

### 7.19.3 TransferStatusSelector

Selects which status of the transfer module to read.

<b>Name</b>	TransferStatusSelector
<b>Category</b>	TansferControl
<b>Interface</b>	IEnumeration
<b>Access</b>	Read / Write
<b>Unit</b>	-
<b>Values</b>	Stopped      Data block transmission is stopped. Streaming      Data blocks are transmitted when enough data is available.

### 7.19.4 TransferStop

Stops the streaming of data Block(s). The current block transmission will be completed.

<b>Name</b>	TransferStop
<b>Category</b>	TansferControl
<b>Interface</b>	ICommand
<b>Access</b>	Write only
<b>Unit</b>	-
<b>Values</b>	-

## 7.20 Category: TransportLayerControl

This chapter provides the Transport Layer control features.

### 7.20.1 EnergyEfficientEthernetEnable (≥ Release 2 only)

Controls whether the Energy Efficient / Green Ethernet mode (802.3az) in the PHY is activated or not.

#### Notice

A device reboot is needed for changes to take effect.

#### Notice

By deactivating *EnergyEfficientEthernetEnable* (`EnergyEfficientEthernetEnable = false`), higher accuracy may be achieved when using PTP (`PtpEnable = true`). Furthermore a reduction of the time until the system settles down (`PtpServoStatus = Locked`) can be achieved.

<b>Name</b>	EnergyEfficientEthernetEnable
<b>Category</b>	TansportLayerControl
<b>Interface</b>	IBoolean
<b>Access</b>	Read / Write
<b>Unit</b>	-
<b>Values</b>	true = 1 (On) false = 0 (Off)

## 7.20.2 Category: GigE Vision

Category that contains the features pertaining to the GigE Vision transport layer of the device.

### 7.20.2.1 GVSPConfigurationBlockID64Bit

Enables the 64 bit block ID length.

<b>Name</b>	GVSPConfigurationBlockID64Bit
<b>Category</b>	GigE Vision
<b>Interface</b>	IBoolean
<b>Access</b>	Read only
<b>Unit</b>	-
<b>Values</b>	true = 1 (On) false = 0 (Off)

### 7.20.2.2 GevCCP

Controls the device access privilege of an application.

<b>Name</b>	GevCCP
<b>Category</b>	GigE Vision
<b>Interface</b>	IEnumeration
<b>Access</b>	Read / Write
<b>Unit</b>	-
<b>Values</b>	OpenAccess      Open Access. ExclusiveAccess      Exclusive Access. ControlAccess      Control Access.

### 7.20.2.3 GevCurrentDefaultGateway

Reports the default gateway IP address to be used on the given logical link.

<b>Name</b>	GevCurrentDefaultGateway
<b>Category</b>	GigE Vision
<b>Interface</b>	IInteger
<b>Access</b>	Read only
<b>Unit</b>	-
<b>Values</b>	IP address

### 7.20.2.4 GevCurrentIPAddress

Reports the IP address for the given logical link.

<b>Name</b>	GevCurrentIPAddress
<b>Category</b>	GigE Vision

<b>Interface</b>	Integer
<b>Access</b>	Read only
<b>Unit</b>	-
<b>Values</b>	IP address

#### 7.20.2.5 **GevCurrentIPConfigurationDHCP**

Controls whether the DHCP IP configuration scheme is activated on the given logical link.

<b>Name</b>	GevCurrentIPConfigurationDHCP
<b>Category</b>	GigEVision
<b>Interface</b>	IBoolean
<b>Access</b>	Read / Write
<b>Unit</b>	-
<b>Values</b>	true = 1 (On) false = 0 (Off)

#### 7.20.2.6 **GevCurrentIPConfigurationLLA**

Controls whether the Link Local Address IP configuration scheme is activated on the given logical link.

<b>Name</b>	GevCurrentIPConfigurationLLA
<b>Category</b>	GigEVision
<b>Interface</b>	IBoolean
<b>Access</b>	Read only
<b>Unit</b>	-
<b>Values</b>	true = 1 (On) false = 0 (Off)

#### 7.20.2.7 **GevCurrentIPConfigurationPersistentIP**

Controls whether the PersistentIP configuration scheme is activated on the given logical link.

<b>Name</b>	GevCurrentIPConfigurationPersistentIP
<b>Category</b>	GigEVision
<b>Interface</b>	IBoolean
<b>Access</b>	Read / Write
<b>Unit</b>	-
<b>Values</b>	true = 1 (On) false = 0 (Off)



### 7.20.2.8 GevCurrentSubnetMask

Reports the subnet mask of the given logical link.

<b>Name</b>	GevCurrentSubnetMask
<b>Category</b>	GigEVision
<b>Interface</b>	Integer
<b>Access</b>	Read only
<b>Unit</b>	-
<b>Values</b>	IP address

### 7.20.2.9 GevFirstURL

Indicates the first URL to the GenICam XML device description file. The First URL is used as the first choice by the application to retrieve the GenICam XML device description file.

<b>Name</b>	GevFirstURL
<b>Category</b>	GigEVision
<b>Interface</b>	IString
<b>Access</b>	Read only
<b>Unit</b>	-
<b>Values</b>	URL

### 7.20.2.10 GevGVCPExtendedStatusCodes

Enables the generation of extended status codes.

<b>Name</b>	GevGVCPExtendedStatusCodes
<b>Category</b>	GigEVision
<b>Interface</b>	IBoolean
<b>Access</b>	Read / Write
<b>Unit</b>	-
<b>Values</b>	true = 1 (On) false = 0 (Off)

### 7.20.2.11 GevGVCPExtendedStatusCodesSelector

Selects the GigE Vision version to control extended status codes for.

<b>Name</b>	GevGVCPExtendedStatusCodesSelector
<b>Category</b>	GigEVision
<b>Interface</b>	IEnumeration
<b>Access</b>	Read / Write
<b>Unit</b>	-
<b>Values</b>	Version1_1      Version1_1. Version2_0      Version2_0.

### 7.20.2.12 GevGVCPendingAck

Enables the generation of PENDING\_ACK.

<b>Name</b>	GevGVCPendingAck
<b>Category</b>	GigEVision
<b>Interface</b>	IBoolean
<b>Access</b>	Read / Write
<b>Unit</b>	-
<b>Values</b>	true = 1 (On) false = 0 (Off)

### 7.20.2.13 GevIPConfigurationStatus

Reports the current IP configuration status.

<b>Name</b>	GevGVCPExtendedStatusCodesSelector
<b>Category</b>	GigEVision
<b>Interface</b>	IEnumeration
<b>Access</b>	Read only
<b>Unit</b>	-
<b>Values</b>	None                  None. PersistentIP          Persistent IP. DHCP                    DHCP. LLA                      LLA. ForceIP                Force IP.

### 7.20.2.14 GevInterfaceSelector

Selects which logical link to control.

<b>Name</b>	GevInterfaceSelector
<b>Category</b>	GigEVision
<b>Interface</b>	IInteger
<b>Access</b>	Read / Write
<b>Unit</b>	-
<b>Values</b>	≥ 0

### 7.20.2.15 GevMACAddress

MAC address of the logical link.

<b>Name</b>	GevMACAddress
<b>Category</b>	GigEVision
<b>Interface</b>	IInteger
<b>Access</b>	Read only
<b>Unit</b>	-
<b>Values</b>	≥ 0

### 7.20.2.16 GevMCDA

Controls the destination IP address for the message channel.

<b>Name</b>	GevMCDA
<b>Category</b>	GigEVision
<b>Interface</b>	Integer
<b>Access</b>	Read / Write
<b>Unit</b>	-
<b>Values</b>	$\geq 0$

### 7.20.2.17 GevMCPHostPort

Controls the port to which the device must send messages.

<b>Name</b>	GevMCPHostPort
<b>Category</b>	GigEVision
<b>Interface</b>	Integer
<b>Access</b>	Read / Write
<b>Unit</b>	-
<b>Values</b>	$\geq 0$

### 7.20.2.18 GevMCRC

Controls the number of retransmissions allowed when a message channel message times out.

<b>Name</b>	GevMCRC
<b>Category</b>	GigEVision
<b>Interface</b>	Integer
<b>Access</b>	Read / Write
<b>Unit</b>	-
<b>Values</b>	$\geq 0$

### 7.20.2.19 GevMCSP

This feature indicates the source port for the message channel.

<b>Name</b>	GevMCSP
<b>Category</b>	GigEVision
<b>Interface</b>	Integer
<b>Access</b>	Read only
<b>Unit</b>	-
<b>Values</b>	$\geq 0$

### 7.20.2.20 **GevMCTT**

Provides the transmission timeout value in milliseconds.

<b>Name</b>	GevMCTT
<b>Category</b>	GigEVision
<b>Interface</b>	Integer
<b>Access</b>	Read only
<b>Unit</b>	ms
<b>Values</b>	$\geq 0$

### 7.20.2.21 **GevNumberOfInterfaces**

Indicates the number of logical links supported by this device.

<b>Name</b>	GevNumberOfInterfaces
<b>Category</b>	GigEVision
<b>Interface</b>	Integer
<b>Access</b>	Read only
<b>Unit</b>	-
<b>Values</b>	$\geq 0$

### 7.20.2.22 **GevPAUSEFrameReception**

Controls whether incoming PAUSE Frames are handled on the given logical link.

<b>Name</b>	GevPAUSEFrameReception
<b>Category</b>	GigEVision
<b>Interface</b>	Boolean
<b>Access</b>	Read only
<b>Unit</b>	-
<b>Values</b>	true = 1 (On) false = 0 (Off)

### 7.20.2.23 **GevPersistentDefaultGateway**

Controls the persistent default gateway for this logical link. It is only used when the device boots with the Persistent IP configuration scheme.

<b>Name</b>	GevPersistentDefaultGateway
<b>Category</b>	GigEVision
<b>Interface</b>	Integer
<b>Access</b>	Read / Write
<b>Unit</b>	-
<b>Values</b>	$\geq 0$

#### 7.20.2.24 **GevPersistentIPAddress**

Controls the Persistent IP address for this logical link. It is only used when the device boots with the Persistent IP configuration scheme.

<b>Name</b>	GevPersistentIPAddress
<b>Category</b>	GigEVision
<b>Interface</b>	Integer
<b>Access</b>	Read / Write
<b>Unit</b>	-
<b>Values</b>	$\geq 0$

#### 7.20.2.25 **GevPersistentSubnetMask**

Controls the Persistent subnet mask associated with the Persistent IP address on this logical link. It is only used when the device boots with the Persistent IP configuration scheme.

<b>Name</b>	GevPersistentSubnetMask
<b>Category</b>	GigEVision
<b>Interface</b>	Integer
<b>Access</b>	Read / Write
<b>Unit</b>	-
<b>Values</b>	$\geq 0$

#### 7.20.2.26 **GevPrimaryApplicationIPAddress**

Returns the address of the primary application.

<b>Name</b>	GevPrimaryApplicationIPAddress
<b>Category</b>	GigEVision
<b>Interface</b>	Integer
<b>Access</b>	Read only
<b>Unit</b>	-
<b>Values</b>	$\geq 0$

#### 7.20.2.27 **GevPrimaryApplicationSocket**

Returns the UDP source port of the primary application.

<b>Name</b>	GevPrimaryApplicationSocket
<b>Category</b>	GigEVision
<b>Interface</b>	Integer
<b>Access</b>	Read only
<b>Unit</b>	-
<b>Values</b>	$\geq 0$

### 7.20.2.28 **GevPrimaryApplicationSwitchoverKey**

Controls the key to use to authenticate primary application switchover requests.

<b>Name</b>	GevPrimaryApplicationSwitchoverKey
<b>Category</b>	GigEVision
<b>Interface</b>	Integer
<b>Access</b>	Write only
<b>Unit</b>	-
<b>Values</b>	$\geq 0$

### 7.20.2.29 **GevSCDA**

Controls the destination IP address of the selected stream channel to which a GVSP transmitter must send data stream or the destination IP address from which a GVSP receiver may receive data stream.

<b>Name</b>	GevSCDA
<b>Category</b>	GigEVision
<b>Interface</b>	Integer
<b>Access</b>	Read / Write
<b>Unit</b>	-
<b>Values</b>	$\geq 0$

### 7.20.2.30 **GevSCFTD**

This feature indicates the delay (in timestamp counter unit) to insert between each block (image) for this stream channel.

<b>Name</b>	GevSCFTD
<b>Category</b>	GigEVision
<b>Interface</b>	Integer
<b>Access</b>	Read / Write
<b>Unit</b>	-
<b>Values</b>	0 ... 4294967295 (Increment: 1)

### 7.20.2.31 **GevSCPD**

Controls the delay (in timestamp counter unit) to insert between each packet for this stream channel. This can be used as a crude flow-control mechanism if the application or the network infrastructure cannot keep up with the packets coming from the device.

<b>Name</b>	GevSCPD
<b>Category</b>	GigEVision
<b>Interface</b>	Integer
<b>Access</b>	Read / Write
<b>Unit</b>	-
<b>Values</b>	0 ... 4294967295 (Increment: 1)

### 7.20.2.32 GevSCPHostPort

Controls the port of the selected channel to which a GVSP transmitter must send data stream or the port from which a GVSP receiver may receive data stream. Setting this value to 0 closes the stream channel.

<b>Name</b>	GevSCPHostPort
<b>Category</b>	GigEVision
<b>Interface</b>	Integer
<b>Access</b>	Read / Write
<b>Unit</b>	-
<b>Values</b>	0 ... 65535 (Increment: 1)

### 7.20.2.33 GevSCPIInterfaceIndex

Index of the logical link to use.

<b>Name</b>	GevSCPIInterfaceIndex
<b>Category</b>	GigEVision
<b>Interface</b>	Integer
<b>Access</b>	Read / Write
<b>Unit</b>	-
<b>Values</b>	0 ... 3 (Increment: 1)

### 7.20.2.34 GevSCPSDoNotFragment

The state of this feature is copied into the "do not fragment" bit of IP header of each stream packet. It can be used by the application to prevent IP fragmentation of packets on the stream channel.

<b>Name</b>	GevSCPSDoNotFragment
<b>Category</b>	GigEVision
<b>Interface</b>	Boolean
<b>Access</b>	Read / Write
<b>Unit</b>	-
<b>Values</b>	true = 1 (On) false = 0 (Off)

### 7.20.2.35 GevSCPSFireTestPacket

Sends a test packet. When this feature is set, the device will fire one test packet.

<b>Name</b>	GevSCPSFireTestPacket
<b>Category</b>	GigEVision
<b>Interface</b>	Boolean
<b>Access</b>	Read / Write
<b>Unit</b>	-
<b>Values</b>	true = 1 (On) false = 0 (Off)

### 7.20.2.36 **GevSCPSPacketSize**

Specifies the stream packet size, in bytes, to send on the selected channel for a GVSP transmitter or specifies the maximum packet size supported by a GVSP receiver.

<b>Name</b>	GevSCPSPacketSize
<b>Category</b>	GigEVision
<b>Interface</b>	Integer
<b>Access</b>	Read / Write
<b>Unit</b>	Byte
<b>Values</b>	576 ... 16110 (Increment: 2)

### 7.20.2.37 **GevSCSP**

Indicates the source port of the stream channel.

<b>Name</b>	GevSCSP
<b>Category</b>	GigEVision
<b>Interface</b>	Integer
<b>Access</b>	Read only
<b>Unit</b>	-
<b>Values</b>	$\geq 0$

### 7.20.2.38 **GevSecondURL**

Indicates the second URL to the GenICam XML device description file. This URL is an alternative if the application was unsuccessful to retrieve the device description file using the first URL.

<b>Name</b>	GevSecondURL
<b>Category</b>	GigEVision
<b>Interface</b>	IString
<b>Access</b>	Read only
<b>Unit</b>	-
<b>Values</b>	URL

### 7.20.2.39 **GevStreamChannelSelector**

Selects the stream channel to control.

<b>Name</b>	GevStreamChannelSelector
<b>Category</b>	GigEVision
<b>Interface</b>	Integer
<b>Access</b>	Read / Write
<b>Unit</b>	-
<b>Values</b>	$\geq 0$



### 7.20.2.40 GevSupportedOption

Returns if the selected GEV option is supported.

<b>Name</b>	GevSupportedOption
<b>Category</b>	GigEVision
<b>Interface</b>	IBoolean
<b>Access</b>	Read / Write
<b>Unit</b>	-
<b>Values</b>	true = 1 (On) false = 0 (Off)

### 7.20.2.41 GevSupportedOptionSelector

Selects the GEV option to interrogate for existing support.

<b>Name</b>	GevSupportedOptionSelector
<b>Category</b>	GigEVision
<b>Interface</b>	IEnumeration
<b>Access</b>	Read / Write
<b>Unit</b>	-
<b>Values</b>	see table below

Action	PacketResend
CCPApplicationSocket	PendingAck
CommandsConcatenation	PrimaryApplicationSwitchover
DiscoveryAckDelay	PTP ( $\geq$ Release 3)
DiscoveryAckDelayWritable	ScheduledAction
DynamicLAG	SerialNumber
Event	SingleLink
EventData	StandardIDMode
ExtendedStatusCodes	StaticLAG
ExtendedStatusCodesVersion2_0	StreamChannel0AllInTransmission
HeartbeatDisable	StreamChannel0BigAndLittleEndian
IEEE1588 ( $\leq$ Release 2)	StreamChannel0ExtendedChunkData
IPConfigurationDHCP	StreamChannel0IPReassembly
IPConfigurationLLA	StreamChannel0MultiZone
IPConfigurationPersistentIP	StreamChannel0PacketResendDestination
LinkSpeed	StreamChannel0UnconditionalStreaming
ManifestTable	StreamChannelSourceSocket
MessageChannelSourceSocket	TestData
MultiLink	UnconditionalAction
PAUSEFrameGeneration	UserDefinedName
PAUSEFrameReception	WriteMem

### 7.20.2.42 InterfaceSpeedMode

Show the interface speed mode as string.

<b>Name</b>	GevGVCPExtendedStatusCodesSelector	
<b>Category</b>	GigEVision	
<b>Interface</b>	IEnumeration	
<b>Access</b>	Read only	
<b>Unit</b>	-	
<b>Values</b>	Ethernet100Mbps	Operation at 100 Mbps.
	Ethernet10Gbps	Operation at 10 Gbps.
	Ethernet1Gbps	Operation at 1 Gbps.
	Ethernet2_5Gbps	Operation at 2.5 Gbps.
	Ethernet5Gbps	Operation at 5 Gbps.

### 7.20.3 PayloadSize

Provides the number of bytes transferred for each image or chunk on the stream channel at the current settings. This includes any end-of-line, end-of-frame statistics or other stamp data. This is the total size of data payload for a data block.

<b>Name</b>	PayloadSize	
<b>Category</b>	TransportLayerControl	
<b>Interface</b>	Integer	
<b>Access</b>	Read only	
<b>Unit</b>	Byte	
<b>Values</b>	0 ... depends on current settings (Increment: 1)	

### 7.20.4 Category: TransportLayerControl → PtpControl (≥ Release 2 only)

Category that contains the features related to the Precision Time Protocol (PTP) of the device.

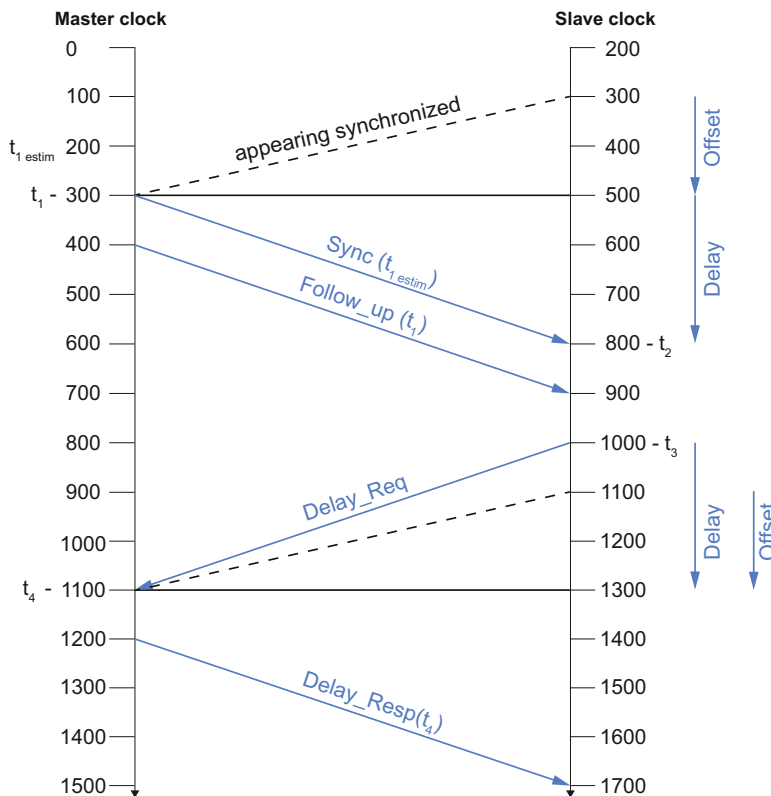
#### General Information

IEEE 1588 Precision Time Protocol (PTP) manages clock synchronization of multiple devices across an Ethernet network. On a local area network, it achieves clock accuracy in the sub-microsecond range, making it suitable for measurement and control systems.

PTP was designed to improve on existing clocksynchronization methods such as Network Time Protocol (NTP) and Global Positioning System (GPS). NTP suffers from poor accuracy, often quoted to be several milliseconds using a fast Ethernet network. GPS provides nanosecond precision using atomic clock and satellite triangulation; however, it is an expensive component to incorporate into a camera.

PTP provides microsecond precision without increasing component cost, providing better accuracy than NTP at a lower cost than GPS.

The diagram below shows the steps taken to synchronize the slave clock to that of the master.



#### PTP synchronization

Synchronization begins when the device configured as the Master PTP clock transmits a *Sync* telegram using multicast messaging. Devices configured as Slave PTP clocks calculate the time difference between their clock and the Master PTP clock, and adjust accordingly.

Slave clock frequencies are constantly adjusted, through follow up and delay messages, to keep their clock value as close as possible to the master clock. While all Slave clocks are within 1  $\mu$ s of the master, PTP sync is achieved.

#### Notice

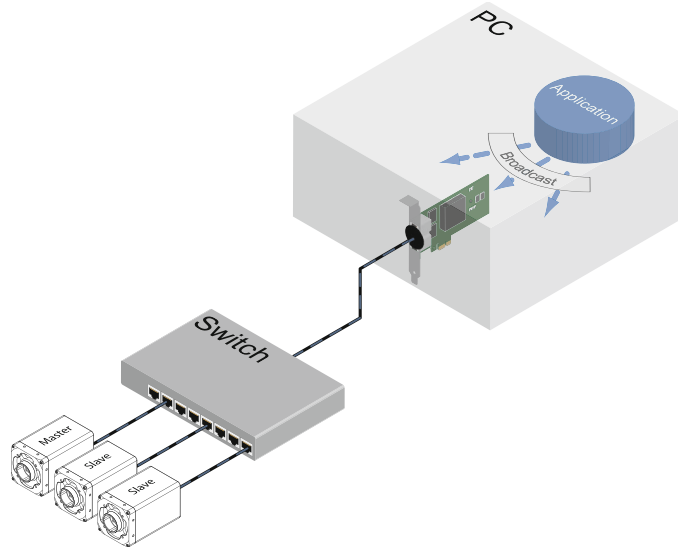
##### Release ≥ 3 only

The feature *PtpServoStatusThreshold* can be used to set the time threshold when the transition from `PtpServoStatus = Unknown` to `PtpServoStatus = Locked` is done and back.

### Network Topology without GPS Clock

Achieving PTP synchronization between multiple cameras requires all cameras to be on the same network/subnet. The IEEE 1588 best master clock algorithm will select a camera as the master clock. Each camera will synchronize to this master clock.

This restriction is due to the current inability of any network card hardware to forward PTP sync multicast packets between ports within the 1  $\mu$ s requirement.

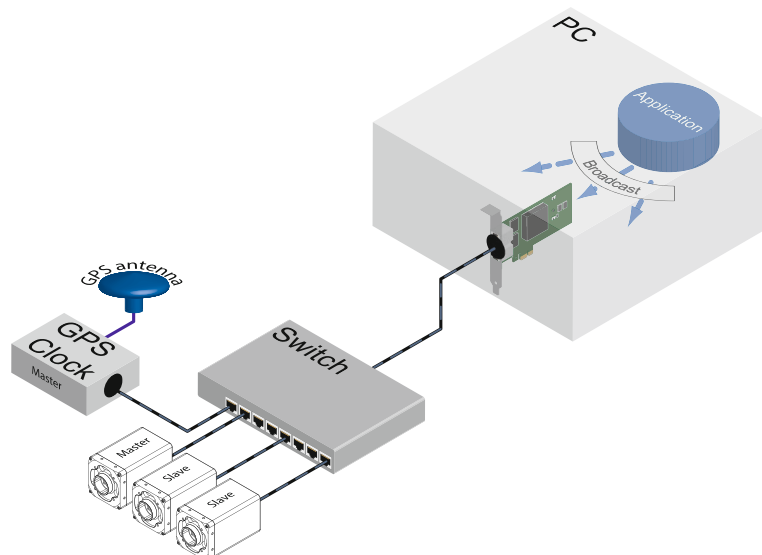


### Network Topology with GPS Clock

The cameras can be synchronized to a GPS timer, allowing “real world time” synchronization. Configure *PtpMode* on all of the cameras to *Slave* or *Auto*. In *Auto*, the IEEE 1588 best master clock algorithm will elect the GPS clock as the master. Each camera will synchronize to the GPS master clock.

#### Notice

To ensure a reliable synchronization, the GPS master clock must be configured with a Sync interval between 0.5 s and 2 s (according to the Default PTP profile for use with the delay request-response mechanism).



### 7.20.4.1 PtpClockAccuracy

Indicates the expected accuracy of the device PTP clock when it is the grandmaster, or in the event it becomes the grandmaster.

<b>Name</b>	PtpClockAccuracy
<b>Category</b>	TansportLayerControl → PtpControl
<b>Interface</b>	IEnumeration
<b>Access</b>	Read only
<b>Unit</b>	-
<b>Values</b>	see table below

#### Notice

The camera supports an accuracy of Within 100µs.

GreaterThan10s	Within1us
Unknown	Within250ms.
Within100ms	Within250ns
Within100ns	Within250us
Within100us	Within25ms
Within10ms	Within25ns
Within10s	Within25us
Within10us	Within2p5ms
Within1ms	Within2p5us
Within1s	

### 7.20.4.2 PtpClockID

Returns the latched clock ID of the PTP device.

#### Notice

Byte 0 of the IEEE ClockIdentity field is mapped to the MSB.

<b>Name</b>	PtpClockID
<b>Category</b>	TansportLayerControl → PtpControl
<b>Interface</b>	Integer
<b>Access</b>	Read only
<b>Unit</b>	-
<b>Values</b>	80-00-00-00-00-00 ... 7F-FF-FF-FF-FF-FF-FF-FF (Increment: 1)

### 7.20.4.3 PtpDataSetLatch

Latches the current values from the device's PTP clock data set.

<b>Name</b>	PtpDataSetLatch
<b>Category</b>	TansportLayerControl → PtpControl
<b>Interface</b>	ICommand
<b>Access</b>	Write only
<b>Unit</b>	-
<b>Values</b>	-

#### 7.20.4.4 PtpEnable

Enables the Precision Time Protocol (PTP).

Notice
To write this feature, set <code>TLParamsLocked = 0</code> .

Notice
By deactivating <i>EnergyEfficientEthernetEnable</i> , higher accuracy may be achieved when using PTP.

<b>Name</b>	PtpEnable
<b>Category</b>	TansportLayerControl → PtpControl
<b>Interface</b>	IBoolean
<b>Access</b>	Read/Write
<b>Unit</b>	-
<b>Values</b>	true = 1 (On) false = 0 (Off)

#### 7.20.4.5 PtpGrandmasterClockID

Returns the latched grandmaster clock ID of the PTP device. The grandmaster clock ID is the clock ID of the current grandmaster clock.

Notice
Byte 0 of the IEEE ClockIdentity field is mapped to the MSB.

<b>Name</b>	PtpGrandmasterClockID
<b>Category</b>	TansportLayerControl → PtpControl
<b>Interface</b>	IInteger
<b>Access</b>	Read only
<b>Unit</b>	-
<b>Values</b>	80-00-00-00-00-00 ... 7F-FF-FF-FF-FF-FF-FF (Increment: 1)

#### 7.20.4.6 PtpMode

Selects the PTP clock type the device will act as.

<b>Name</b>	PtpMode				
<b>Category</b>	TansportLayerControl → PtpControl				
<b>Interface</b>	IEnumeration				
<b>Access</b>	Read/Write				
<b>Unit</b>	-				
<b>Values</b>	<table border="1"><tbody><tr><td>Auto</td><td>The device uses the IEEE 1588 best master clock algorithm to determine which device is master, and which devices are slaves. In case the device is not the best master, it will act as a PTP slave.</td></tr><tr><td>Slave</td><td>The device's clock will act as a PTP slave only to align with a master device's clock.</td></tr></tbody></table>	Auto	The device uses the IEEE 1588 best master clock algorithm to determine which device is master, and which devices are slaves. In case the device is not the best master, it will act as a PTP slave.	Slave	The device's clock will act as a PTP slave only to align with a master device's clock.
Auto	The device uses the IEEE 1588 best master clock algorithm to determine which device is master, and which devices are slaves. In case the device is not the best master, it will act as a PTP slave.				
Slave	The device's clock will act as a PTP slave only to align with a master device's clock.				

### 7.20.4.7 PtpOffsetFromMaster

Returns the latched offset from the PTP master clock in nanoseconds.

<b>Name</b>	PtpOffsetFromMaster
<b>Category</b>	TansportLayerControl → PtpControl
<b>Interface</b>	Integer
<b>Access</b>	Read only
<b>Unit</b>	ns
<b>Values</b>	-9223372036854775808 ... 9223372036854775808 (Increment: 1)

### 7.20.4.8 PtpParentClockID

Returns the latched parent clock ID of the PTP device. The parent clock ID is the clock ID of the current master clock.

#### Notice

Byte 0 of the IEEE ClockIdentity field is mapped to the MSB.

<b>Name</b>	PtpParentClockID
<b>Category</b>	TansportLayerControl → PtpControl
<b>Interface</b>	Integer
<b>Access</b>	Read only
<b>Unit</b>	-
<b>Values</b>	80-00-00-00-00-00 ... 7F-FF-FF-FF-FF-FF-FF (Increment: 1)

### 7.20.4.9 PtpServoStatus

#### Notice

PTPServoStatus may change temporarily when changing the IP address.

Returns the latched state of the clock servo.

When the servo is in a locked state, the value returned is 'Locked'. When the servo is in a non-locked state, a device-specific value can be returned to give specific information. If no device-specific value is available to describe the current state of the clock servo, the value should be 'Unknown'.

<b>Name</b>	PtpServoStatus
<b>Category</b>	TansportLayerControl → PtpControl
<b>Interface</b>	IEnumeration
<b>Access</b>	Read only
<b>Unit</b>	-
<b>Values</b>	Unknown Locked

#### 7.20.4.10 PtpServoStatusThreshold

Threshold of time difference to Ptp Master Clock for transition PtpServoStatus Unknown to Locked.

<b>Name</b>	PtpServoStatusThreshold
<b>Category</b>	TansportLayerControl → PtpControl
<b>Interface</b>	Integer
<b>Access</b>	Read only
<b>Unit</b>	µs
<b>Values</b>	1 ... 10000 (Increment: 1)

#### 7.20.4.11 PtpStatus

Returns the latched state of the PTP clock.

<b>Name</b>	PtpStatus	
<b>Category</b>	TansportLayerControl → PtpControl	
<b>Interface</b>	IEnumeration	
<b>Access</b>	Read only	
<b>Unit</b>	-	
<b>Values</b>	Disabled	PTP is disabled.
	Faulty	The fault state of the protocol.
	Initializing	PTP is being initialized.
	Listening	Device is listening for other PTP enabled devices.
	Master	Device acting as master clock.
	Passive	If there are 2 or more devices with PtpMode = Master, this device has an inferior clock and is not synchronized to the master.
	Pre_Master	The port shall behave in all respects as though it were in the MASTER state except that it shall not place any messages on its communication path except for Pdelay_Req, Pdelay_Resp, Pdelay_Resp_Follow_Up, signaling, or management messages.
	Slave	PTP synchronization between this device and master is achieved.
	Uncalibrated	PTP synchronization not yet achieved.

#### 7.20.4.12 PtpSyncMessageInterval (≥ Release 3 only)

Returns the latched sync message interval from the PTP master clock in milliseconds.

<b>Name</b>	PtpSyncMessageInterval
<b>Category</b>	TansportLayerControl → PtpControl
<b>Interface</b>	IFloat
<b>Access</b>	Read only
<b>Unit</b>	ms
<b>Values</b>	≥ 0



### 7.20.4.13 PtpSyncMessageIntervalStatus (≥ Release 3 only)

Returns if the latched sync message interval from the PTP master clock is supported by the device. An unsupported sync message interval may result in PtpServoStatus instability.

<b>Name</b>	PtpSyncMessageIntervalStatus	
<b>Category</b>	TansportLayerControl → PtpControl	
<b>Interface</b>	IEnumeration	
<b>Access</b>	Read only	
<b>Unit</b>	-	
<b>Values</b>	Valid	Sync message interval is valid and supported by the device.
	Invalid	Sync message interval is not valid. This may result in PtpServoStatus instability.

## 7.21 Category: UserSetControl

Category that contains the User Set control features. It allows loading or saving factory or user-defined settings.

Loading the factory default User Set guarantees a state where a continuous acquisition can be started using only the mandatory features.

These user sets are stored within the camera and can be loaded, saved and transferred to other cameras.

By using *User Set Default* one of these four user sets can be set as the default, which means that the camera starts up with these adjusted parameters.

### 7.21.1 UserSetDefault

Four user sets are available for this camera. *User Set 1*, *User Set 2*, *User Set 3* are user-specific and can contain user-definable parameters.

Selects the feature *UserSet* to load and make active by default when the device is reset. The factory settings are stored in the user set *Default*. This is the only user set that cannot be edited.

#### Notice

All saved user sets can be set as default.

<b>Name</b>	UserSetDefault	
<b>Category</b>	UserSetControl	
<b>Interface</b>	IEnumeration	
<b>Access</b>	Read / Write	
<b>Unit</b>	-	
<b>Values</b>	Default	Select the factory setting user set.
	User Set 1	Select the User Set 1 (available when saved).
	User Set 2	Select the User Set 2 (available when saved).
	User Set 3	Select the User Set 3 (available when saved).

f

### 7.21.2 UserSetFeatureEnable

Enables the selected feature and make it active in all the UserSets.

<b>Name</b>	UserSetFeatureEnable
<b>Category</b>	UserSetControl
<b>Interface</b>	IBoolean
<b>Access</b>	Read only
<b>Unit</b>	-
<b>Values</b>	true = 1 (On) false = 0 (Off)

### 7.21.3 UserSetFeatureSelector

Selects which individual UserSet feature to control.

<b>Name</b>	UserSetFeatureSelector
<b>Category</b>	UserSetControl
<b>Interface</b>	IEnumeration
<b>Access</b>	Read / Write
<b>Unit</b>	-
<b>Values</b>	see table below

Parameter		
AcquisitionFrameCount	DeviceTemperature-StatusTransition	PixelFormat
AcquisitionFrameRate	EventNotification	PtpEnable (≥ Rel. 2)
AcquisitionFrameRate-Enable	ExposureAuto (≥ Rel. 2)	PtpMode (≥ Rel. 2)
AcquisitionMode	ExposureAutoMaxValue (≥ Rel. 2)	ReadoutMode
ActionDeviceKey	ExposureAutoMinValue (≥ Rel. 2)	ReverseX
ActionGroupKey	ExposureMode	ReverseY
ActionGroupMask	ExposureTime	SensorADDigitization
AutoFeatureHeight (≥ Rel. 2)	FrameCounter	SensorShutterMode (≥ Rel. 2)
AutoFeatureOffsetX (≥ Rel. 2)	Gain	SequencerSetNext
AutoFeatureOffsetY (≥ Rel. 2)	GainAuto (≥ Rel. 2)	SequencerSetStart
AutoFeatureRegion-Mode (≥ Rel. 2)	GainAutoMaxValue (≥ Rel. 2)	SequencerTrigger-Activation
AutoFeatureRegion-Reference (≥ Rel. 2)	GainAutoMinValue (≥ Rel. 2)	SequencerTrigger-Source
AutoFeatureWidth (≥ Rel. 2)	Gamma	ShortExposureTimeEnable
BalanceWhiteAuto	GevSCFTD	TestPattern
BinningHorizontal	GevSCPD	TimerDelay
BinningHorizontalMode	Height	TimerDuration
BinningVertical	LUTContent	TimerTriggerActivation

BinningVerticalMode	LUTEnable	TimerTriggerSource
BlackLevel	LUTValue	TransferStart
BrightnessAutoNominalValue	LineDebouncerHighTimeAbs	TransferStop
BrightnessAutoPriority	LineDebouncerLowTimeAbs	TriggerActivation
ChunkEnable	LineInverter	TriggerDelay
ChunkModeActive		TriggerMode
ColorTransformation-Auto	LinePWMDuration	TriggerSource
CounterDuration	LinePWMDutyCycle:	UserOutputValue
CounterEventActivation	LinePWMMaxDuration	UserOutputValueAll
CounterEventSource	LinePWMMaxDutyCycle	Width
CounterResetActivation	LinePWMMode	
CounterResetSource	LineSource	
DefectPixelCorrection	OffsetX	
DeviceLinkThroughput-Limit	OffsetY	

#### 7.21.4 UserSetLoad

Loads the *UserSet* specified by *UserSetSelector* to the device and makes it active.

##### Notice

Loading a *UserSet* requires the stop of the camera.

<b>Name</b>	UserSetLoad
<b>Category</b>	UserSetControl
<b>Interface</b>	ICommand
<b>Access</b>	Write only
<b>Unit</b>	-
<b>Values</b>	-

#### 7.21.5 UserSetSave

Save the User Set specified by *UserSetSelector* to the non-volatile memory of the device

##### Notice

The factory settings are stored in the user set *Default*. This is the only user set that cannot be edited. Select at *UserSetSelector* *UserSet1*, *UserSet2* or *UserSet3*.

<b>Name</b>	UserSetSave
<b>Category</b>	UserSetControl
<b>Interface</b>	ICommand
<b>Access</b>	Write only
<b>Unit</b>	-
<b>Values</b>	-

### 7.21.6 UserSetSelector

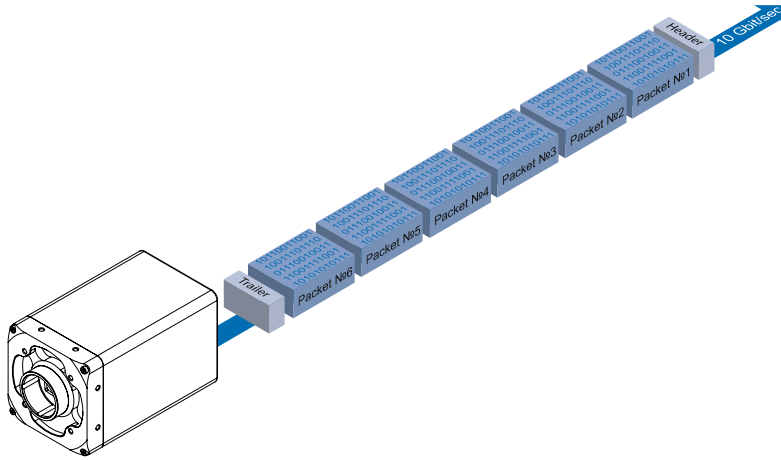
Selects the Feature User Set to load, save or configure. The factory settings are stored in the user set *Default*. This is the only user set that cannot be edited.

<b>Name</b>	UserSetSelector	
<b>Category</b>	UserSetControl	
<b>Interface</b>	IEnumeration	
<b>Access</b>	Read / Write	
<b>Unit</b>	-	
<b>Values</b>	Default	Select the factory setting user set.
	User Set 1	Select the User Set 1.
	User Set 2	Select the User Set 2.
	User Set 3	Select the User Set 3.

## 8. Interface Functionalities

### 8.1 Device Information

By using GigE all data packets are sequentially transmitted over one cable. At the beginning of a frame will transmitted a Leader and at the end will transmitted a Trailer.



### 8.2 Packet Size and Maximum Transmission Unit (MTU)

Network packets can be of different sizes. The size depends on the network components employed. When using GigE Vision<sup>®</sup>- compliant devices, it is generally recommended to use larger packets. On the one hand the overhead per packet is smaller, on the other hand larger packets cause less CPU load.

The packet size of UDP packets can differ from 576 Bytes up to the MTU.

The MTU describes the maximal packet size which can be handled by all network components involved.

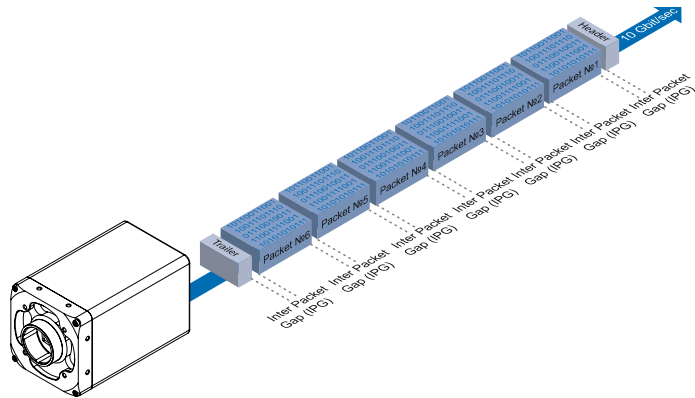
In principle modern network hardware supports a packet size of 1518 Byte, which is specified in the network standard. However, so-called "Jumbo frames" are on the advance as Gigabit Ethernet continues to spread. "Jumbo frames" merely characterizes a packet size exceeding 1500 Bytes.

Baumer VLXT cameras can handle a MTU of up to 16384 Bytes.

### 8.3 Inter Packet Gap (IPG)

To achieve optimal results in image transfer, several Ethernet-specific factors need to be considered when using Baumer cameras.

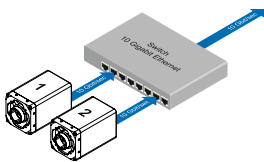
Upon starting the image transfer of a camera, the data packets are transferred at maximum transfer speed (1 Gbit/s / 10 Gbit/s). In accordance with the network standard, Baumer employs a minimal separation of 12 Bytes between two packets. This separation is called "Inter Packet Gap" (IPG). In addition to the minimal PD, the GigE Vision® standard stipulates that the PD be scalable (user-defined).



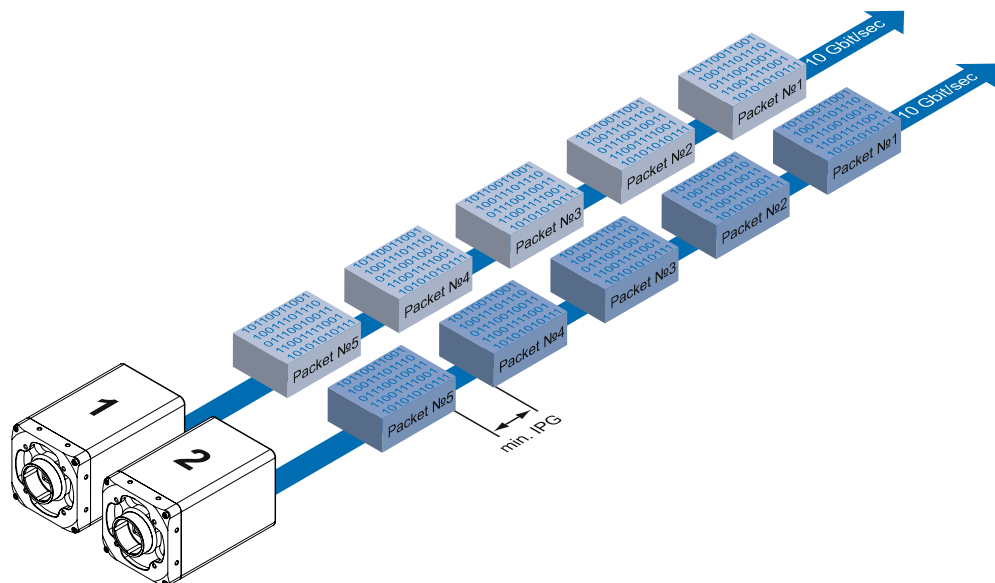
#### 8.3.1 Example 1: Multi Camera Operation – Minimal IPG

Setting the IPG to minimum means every image is transferred at maximum speed. Even by using a frame rate of 1 fps this results in full load on the network. Such "bursts" can lead to an overload of several network components and a loss of packets. This can occur, especially when using several cameras.

In the case of two cameras sending images at the same time, this would theoretically occur at a transfer rate of 2 Gbits/s. The switch has to buffer this data and transfer it at a speed of 1 Gbit/s afterwards. Depending on the internal buffer of the switch, this operates without any problems up to n cameras ( $n \geq 1$ ). More cameras would lead to a loss of packets. These lost packets can however be saved by employing an appropriate resend mechanism, but this leads to additional load on the network components.



Operation of two cameras employing a Ethernet switch.  
Data processing within the switch is displayed in the next two figures.

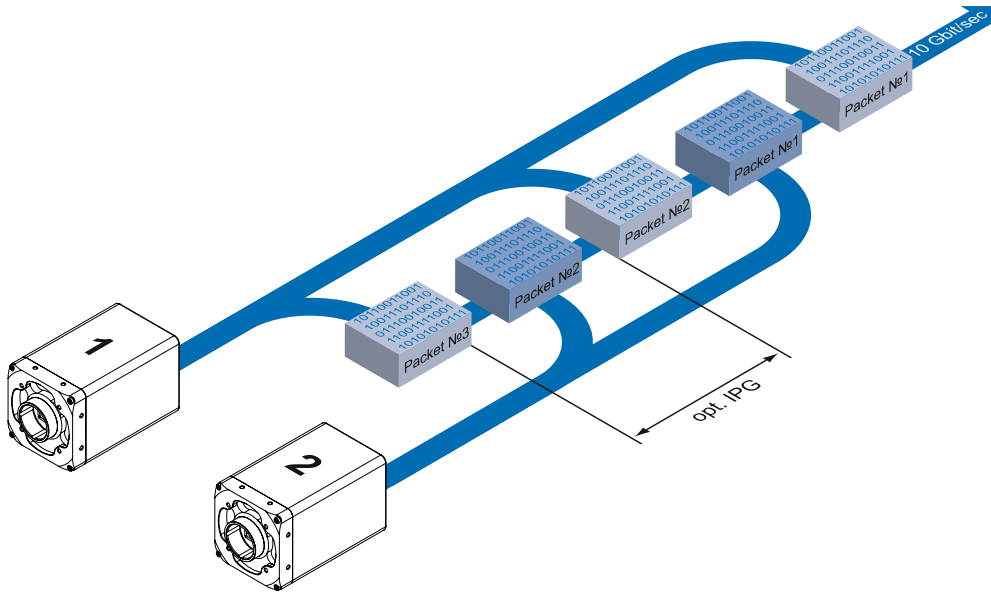


### 8.3.2 Example 2: Multi Camera Operation – Optimal IPG

A better method is to increase the IPG to a size of

$$\text{optimal IPG} = \text{packet size} + 2 \times \text{minimal IPG}$$

In this way both data packets can be transferred successively (zipper principle), and the switch does not need to buffer the packets.

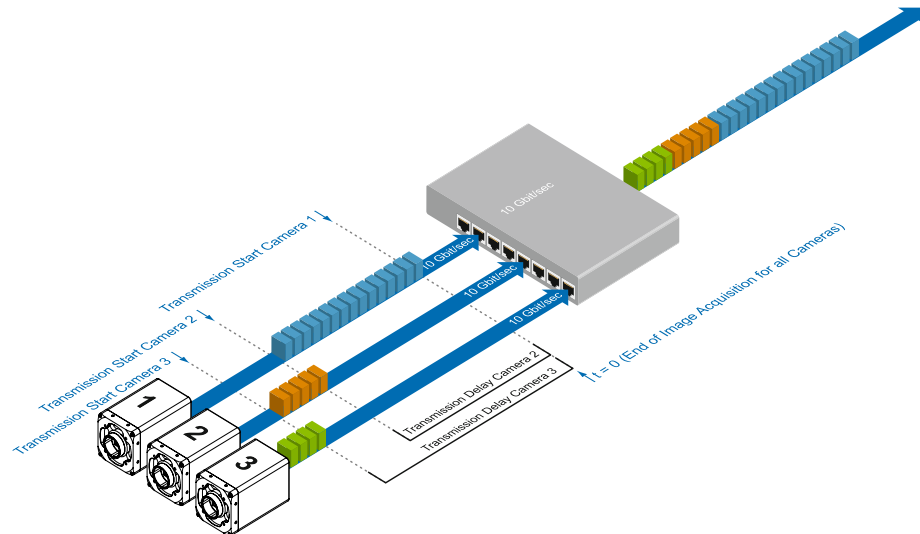


<b>Max. IPG:</b> On the Gigabit Ethernet the max. IPG and the data packet must not exceed 1 Gbit. Otherwise data packets can be lost.
--

## 8.4 Frame Delay

Another approach for packet sorting in multi-camera operation is the so-called Frame Delay. Due to the fact, that the currently recorded image is stored within the camera and its transmission starts with a predefined delay, complete images can be transmitted to the PC at once.

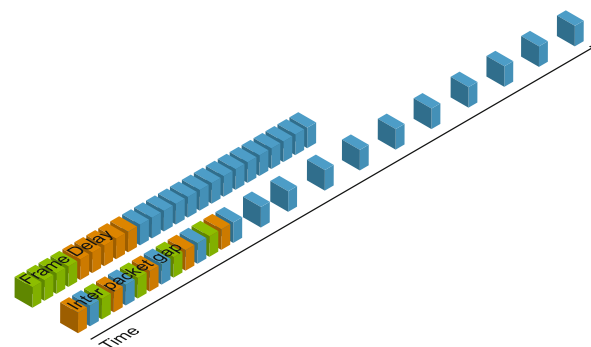
The following figure should serve as an example:



Due to process-related circumstances, the image acquisitions of all cameras end at the same time. Now the cameras are not trying to transmit their images simultaneously, but – according to the specified transmission delays – subsequently. Thereby the first camera starts the transmission immediately – with a transmission delay "0".

### 8.4.1 Time Saving in Multi-Camera Operation

As previously stated, the Frame delay feature was especially designed for multi-camera operation with employment of different camera models. Just here a significant acceleration of the image transmission can be achieved:



For the above mentioned example, the employment of the transmission delay feature results in a time saving – compared to the approach of using the inter packet gap – of approx. 45% (applied to the transmission of all three images).



## 8.4.2 Configuration Example

For the three used cameras the following data are known:

Camera Model	Sensor Resolution [Pixel]	Pixel Format (Pixel Depth) [bit]	Data Volume [bit]	Readout Time [ms]	Exposure Time [ms]	Transfer Time [ms]
VLXT-31	2048 × 1536	8	25165824	4.6	15	≈ 11.72
VLXT-50	2448 × 2048	8	40108032	6	15	≈ 18.67
VLXT-90	4096 × 2160	8	70778880	10.4	15	≈ 32.96

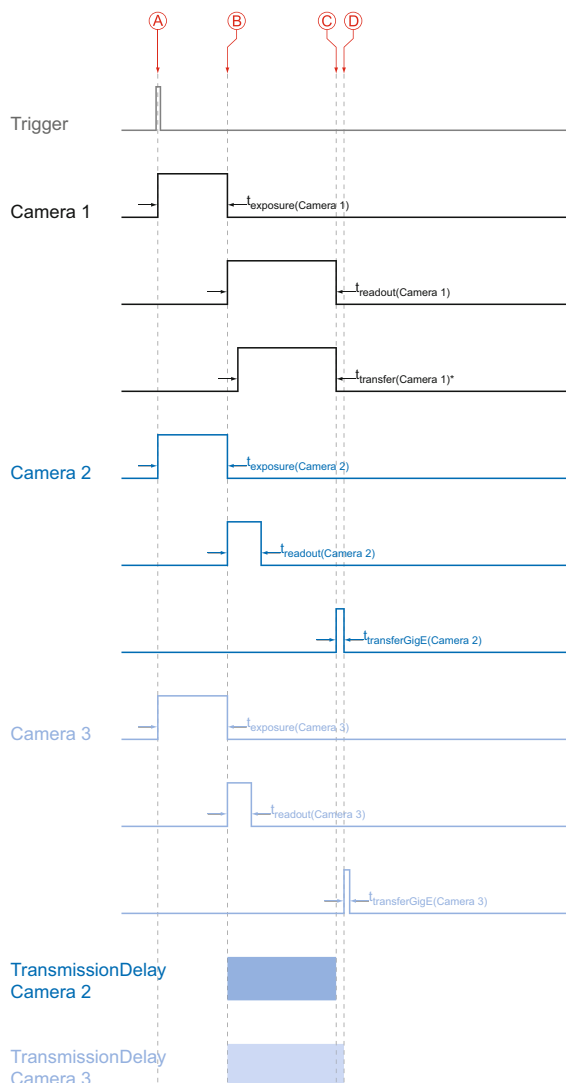
- The sensor resolution and the readout time ( $t_{\text{readout}}$ ) can be found in the respective Technical Data Sheet (TDS). For the example a full frame resolution is used.
- The exposure time ( $t_{\text{exposure}}$ ) is manually set to 15 ms.
- The resulting data volume is calculated as follows:  

$$\text{Resulting Data Volume} = \text{horizontal Pixels} \times \text{vertical Pixels} \times \text{Pixel Depth}$$
- The transfer time ( $t_{\text{transferGigE}}$ ) is calculated as follows:  

$$\text{Transfer Time} = \text{Resulting Data Volume} / 1024^3 \times 500 \text{ [ms]}$$

All the cameras are triggered simultaneously.

The transmission delay is realized as a counter, that is started immediately after the sensor readout is started.



Timings:
A - exposure start for all cameras
B - all cameras ready for transmission
C - transmission start camera 2
D - transmission start camera 3

\* Due to technical issues the data transfer of camera 1 does not take place with full speed.

In general, the transmission delay is calculated as:

$$t_{\text{TransmissionDelay(Camera } n)} = t_{\text{exposure(Camera 1)}} + t_{\text{readout(Camera 1)}} - t_{\text{exposure(Camera } n)} + \sum_{n \geq 3}^n t_{\text{transferGigE(Camera } n-1)}$$

Therewith for the example, the transmission delays of camera 2 and 3 are calculated as follows:

$$t_{\text{TransmissionDelay(Camera 2)}} = t_{\text{exposure(Camera 1)}} + t_{\text{readout(Camera 1)}} - t_{\text{exposure(Camera 2)}}$$

$$t_{\text{TransmissionDelay(Camera 3)}} = t_{\text{exposure(Camera 1)}} + t_{\text{readout(Camera 1)}} - t_{\text{exposure(Camera 3)}} + t_{\text{transferGige(Camera 2)}}$$

Solving this equations leads to:

$$\begin{aligned} t_{\text{TransmissionDelay(Camera 2)}} &= 15 \text{ ms} + 4.6 \text{ ms} - 15 \text{ ms} \\ &= 4.6 \text{ ms} \\ &= 4600000 \text{ ticks} \end{aligned}$$

$$\begin{aligned} t_{\text{TransmissionDelay(Camera 3)}} &= 15 \text{ ms} + 4.6 \text{ ms} - 15 \text{ ms} + 18.67 \text{ ms} \\ &= 23.27 \text{ ms} \\ &= 23270000 \text{ ticks} \end{aligned}$$

### Notice

In Baumer GAPI the delay is specified in ticks. How do convert microseconds into ticks?

$$1 \text{ tick} = 1 \text{ ns}$$

$$1 \text{ ms} = 1000000 \text{ ns}$$

$$1 \text{ tick} = 0.000001 \text{ ms}$$

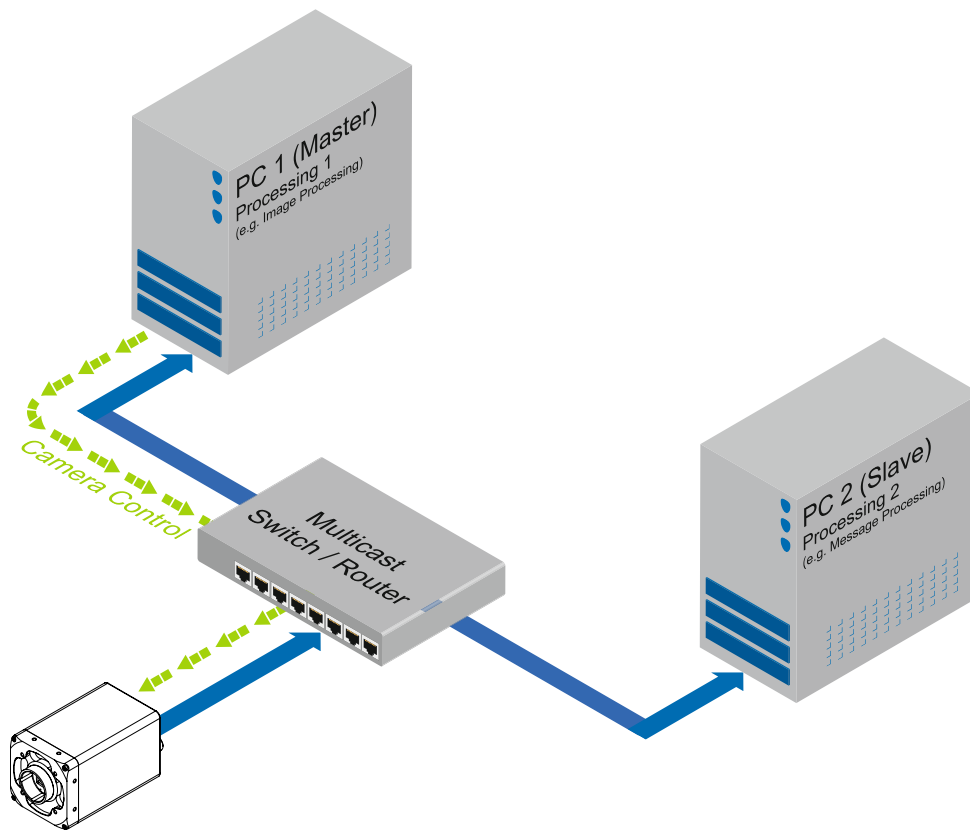
$$\text{ticks} = t_{\text{TransmissionDelay}} [\text{ms}] / 0.000001 = t_{\text{TransmissionDelay}} [\text{ticks}]$$

## 8.5 Multicast

Multicasting offers the possibility to send data packets to more than one destination address – without multiplying bandwidth between camera and Multicast device (e.g. Router or Switch).

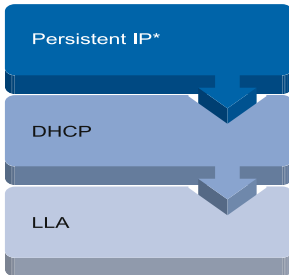
The data is sent out to an intelligent network node, an IGMP (Internet Group Management Protocol) capable Switch or Router and distributed to the receiver group with the specific address range.

In the example on the figure below, multicast is used to process image and message data separately on two different PC's.



<b>Multicast Addresses:</b>
<i>For multicasting Bauer suggests an address range from 232.0.1.0 to 232.255.255.255.</i>

**Internet Protocol:**  
On Baumer cameras IP v4 is employed.



▲ Connection pathway for Baumer Gigabit Ethernet cameras:  
The device connects step by step via the three described mechanisms.

**DHCP:**  
Please pay attention to the DHCP Lease Time.

## 8.6 IP Configuration

### 8.6.1 Persistent IP

A persistent IP address is assigned permanently. Its validity is unlimited.

#### Notice

Please ensure a valid combination of IP address and subnet mask.

IP range:	Subnet mask:
0.0.0.0 – 127.255.255.255	255.0.0.0
128.0.0.0 – 191.255.255.255	255.255.0.0
192.0.0.0 – 223.255.255.255	255.255.255.0

These combinations are not checked by Baumer GAPI, Baumer GAPI Viewer or camera on the fly. This check is performed when restarting the camera, in case of an invalid IP - subnet combination the camera will start in LLA mode.

\* This feature is disabled by default.

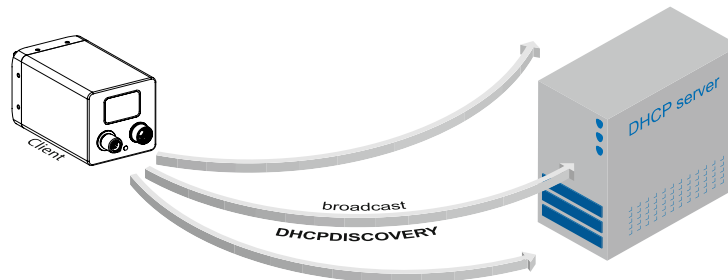
### 8.6.2 DHCP (Dynamic Host Configuration Protocol)

The DHCP automates the assignment of network parameters such as IP addresses, subnet masks and gateways. This process takes up to 12 s.

Once the device (client) is connected to a DHCP-enabled network, four steps are processed:

#### ▪ DHCP Discovery

In order to find a DHCP server, the client sends a so called DHCPDISCOVER broadcast to the network.



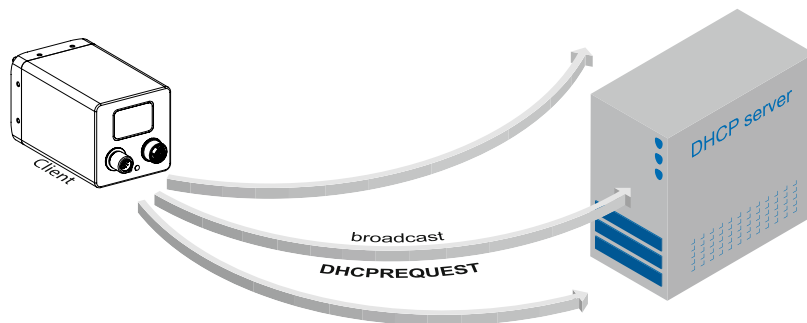
#### ▪ DHCP Offer

After reception of this broadcast, the DHCP server will answer the request by a unicast, known as DHCP OFFER. This message contains several items of information, such as:

Information for the client	MAC address
	offered IP address
Information on server	IP address
	subnet mask
	duration of the lease

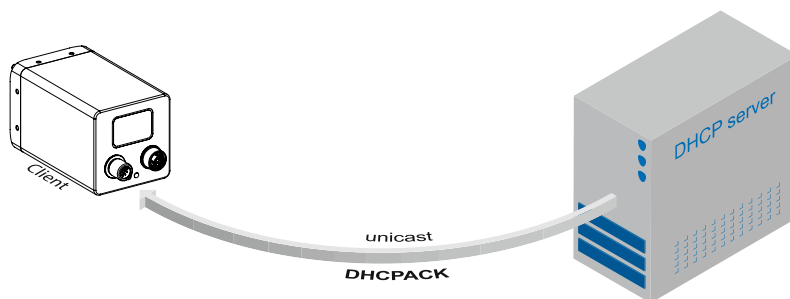
#### ▪ DHCP Request

Once the client has received this DHCPOFFER, the transaction needs to be confirmed. For this purpose the client sends a so called DHCPREQUEST broadcast to the network. This message contains the IP address of the offering DHCP server and informs all other possible DHCP servers that the client has obtained all the necessary information, and there is therefore no need to issue IP information to the client.



#### ▪ DHCP Acknowledgement

Once the DHCP server obtains the DHCPREQUEST, a unicast containing all necessary information is sent to the client. This message is called DHCPACK. According to this information, the client will configure its IP parameters and the process is complete.



#### DHCP Lease Time:

The validity of DHCP IP addresses is limited by the lease time. When this time is elapsed, the IP configuration needs to be redone. This causes a connection abort.

### 8.6.3 LLA

LLA (Link-Local Address) refers to a local IP range from 169.254.0.1 to 169.254.254.254 and is used for the automated assignment of an IP address to a device when no other method for IP assignment is available.

The IP address is determined by the host, using a pseudo-random number generator, which operates in the IP range mentioned above.

Once an address is chosen, this is sent together with an ARP (Address Resolution Protocol) query to the network to check if it already exists. Depending on the response, the IP address will be assigned to the device (if not existing) or the process is repeated. This method may take some time - the GigE Vision® standard stipulates that establishing connection in the LLA should not take longer than 40 seconds, in the worst case it can take up to several minutes.

#### LLA:

Please ensure operation of the PC within the same subnet as the camera.

### 8.6.4 Force IP<sup>\*)</sup>

Inadvertent faulty operation may result in connection errors between the PC and the camera. In this case "Force IP" may be the last resort. The Force IP mechanism sends an IP address and a subnet mask to the MAC address of the camera. These settings are sent without verification and are adapted immediately by the client. They remain valid until the camera is de-energized.

<sup>\*)</sup> In the GigE Vision® standard, this feature is defined as "Static IP".

## 8.7 Packet Resend

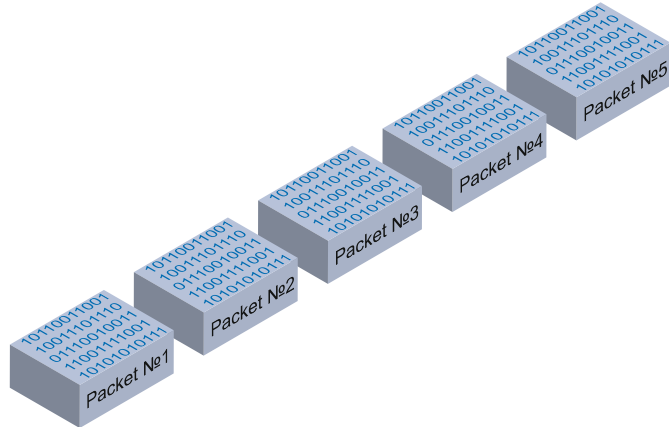
Due to the fact, that the GigE Vision® standard stipulates using a UDP – a stateless user datagram protocol – for data transfer, a mechanism for saving the "lost" data needs to be employed.

Here, a resend request is initiated if one or more packets are damaged during transfer and – due to an incorrect checksum – rejected afterwards.

On this topic one must distinguish between three cases:

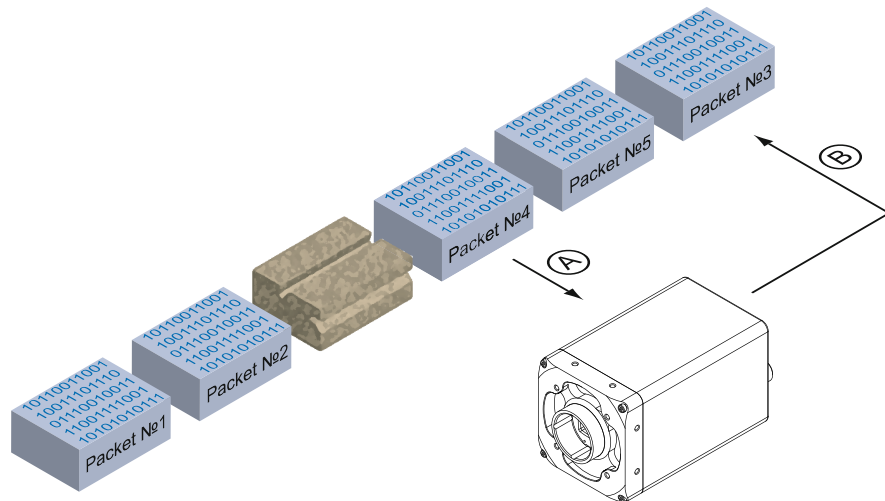
### 8.7.1 Normal Case

In the case of unproblematic data transfer, all packets are transferred in their correct order from the camera to the PC. The probability of this happening is more than 99%.



### 8.7.2 Fault 1: Lost Packet within Data Stream

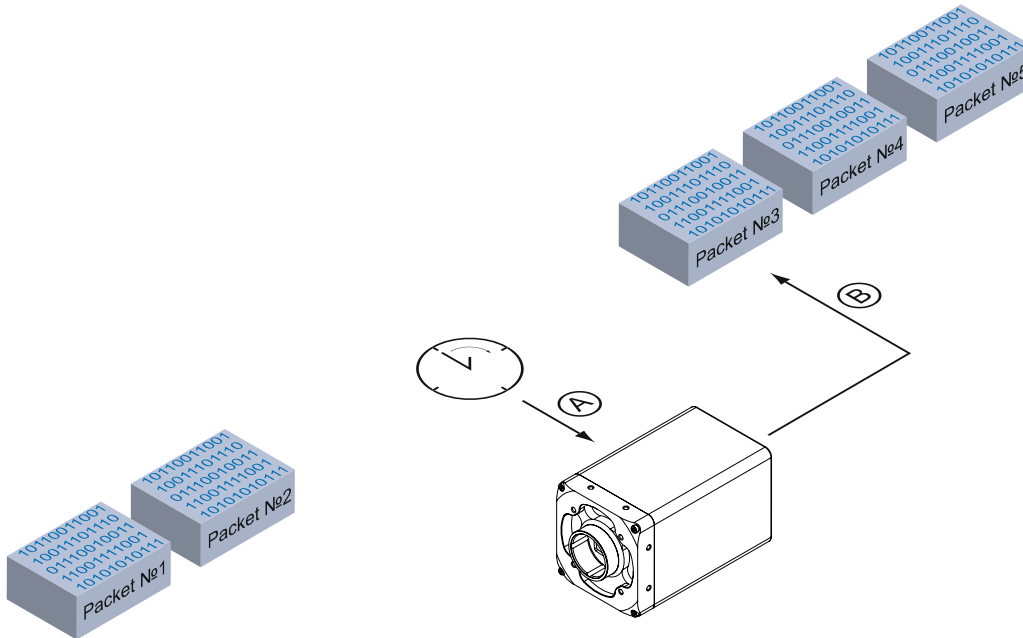
If one or more packets are lost within the data stream, this is detected by the fact, that packet number  $n$  is not followed by packet number  $(n+1)$ . In this case the application sends a resend request (A). Following this request, the camera sends the next packet and then resends (B) the lost packet.



In our example packet no. 3 is lost. This fault is detected on packet no. 4, and the resend request triggered. Then the camera sends packet no. 5, followed by resending packet no. 3.

### 8.7.3 Fault 2: Lost Packet at the End of the Data Stream

In case of a fault at the end of the data stream, the application will wait for incoming packets for a predefined time. When this time has elapsed, the resend request is triggered and the "lost" packets will be resent.



In our example, packets from no. 3 to no. 5 are lost. This fault is detected after the predefined time has elapsed and the resend request (A) is triggered. The camera then resends packets no. 3 to no. 5 (B) to complete the image transfer

### 8.7.4 Termination Conditions

The resend mechanism will continue until:

- all packets have reached the pc
- the maximum of resend repetitions is reached
- the resend timeout has occurred or
- the camera returns an error.



**Baumer Optronic GmbH**

Badstrasse 30

DE-01454 Radeberg, Germany

Phone +49 (0)3528 4386 0 · Fax +49 (0)3528 4386 86

sales@baumeroptronic.com · www.baumer.com