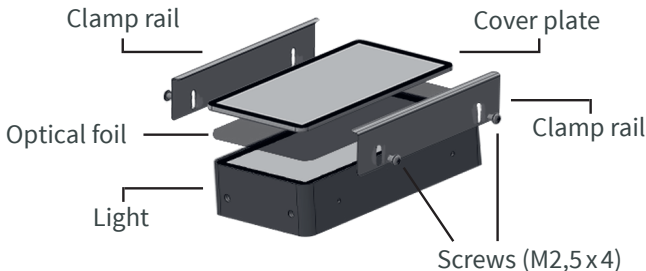
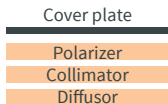


Filter holder

Mounting with clamp rails

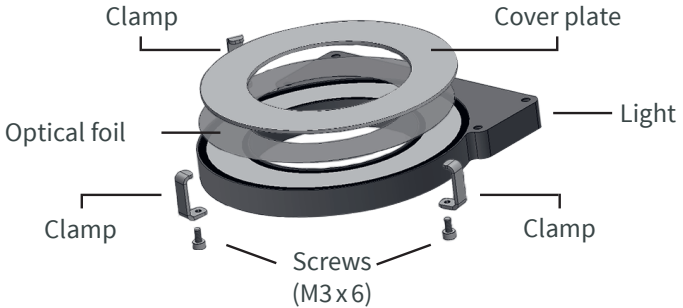


1. Protective Foils are marked with a sticker. Please handle foils and cover plates with care - avoid scratches and touching of the surface. We suggest to wear gloves.
2. Attach one clamp rail loosely with screws.
3. Insert optical foil.
(If more than 1 foil is used please refer to schematic overview to the right)
4. Insert cover plate.
5. Attach second clamp rail.
6. Hand-tighten screws, lightly pressing down the clamp rails onto the cover plate.



Filter holder

Mounting with clamps



1. Protective Foils are marked with a sticker. Please handle foils and cover plates with care - avoid scratches and touching of the surface. We suggest to wear gloves.
2. Place filter on luminous area of the lighting. (if more than 1 foil is used please refer to schematic overview to the right)
3. Place cover plate on top.
4. Attach clamps with screws. The back of the lighting has small indentions indicating where the screws needs to be placed.
5. Tighten screws, hand tight only.

