

## DMK 23UX249 Monochrome Camera

The Imaging Source "23" Series USB 3.0 Camera



**Only 29x29x43 mm**

Lens not included

The Imaging Source DMK 23UX249 monochrome camera has a USB 3.0 interface and is the perfect solution for many industrial automation, quality assurance, security, surveillance and medical applications. The monochrome camera ships with the very sensitive  $\frac{1}{1.2}$ " Sony Exmor IMX249LL sensor. With up to 30 images per second, the DMK 23UX249 is a low cost, yet highly versatile imaging solution. The camera includes a C to CS mount adapter, making it compatible to C and CS mount lenses. Using the optional CS to M12 board lens adapter, the camera is also compatible to M12 board lenses.

The Imaging Source authors and supports drivers, SDKs, extensions and end-user software for Microsoft Windows, which can be freely downloaded from our web site. Extensions for Microsoft Windows enable the DMK 23UX249 to be integrated in to common machine vision software libraries, such as LabView and OpenCV. Furthermore, we author and support open source Linux drivers and software (Apache License 2.0) to integrate the camera into popular distributions. Download the Linux source code at GitHub.

### Features

- USB 3.0 interface.
- $\frac{1}{1.2}$ " Sony Exmor IMX249LL.
- Global shutter.
- 1,920 x 1,200 (2.3 MP).
- Up to 30 images per second.
- Trigger input and I/Os.
- Compatible to C and CS mount lenses.
- Only 29 x 29 x 43 mm.

### Accessories

- CS to C mount adapter (shipped as standard).
- CS to M12 board lens adapters.
- C and CS mount lenses.
- M12 board lenses.
- Standard USB 3.0 cable in various lengths.
- 3 m USB 3.0 cable with fixing screws.
- Trigger cable.

### Device Drivers for Microsoft Windows

Device Driver for The Imaging Source USB Cameras.

### Software Development Kits (SDKs) for Microsoft Windows

IC Imaging Control .NET Component for C#, VB.NET, C++ Class Library for C++ projects, IC Imaging Control C Library, IC Imaging Control ActiveX, IC Imaging Control ActiveX Runtime Setup.

### Extensions for Microsoft Windows

TWAIN Source for IC Imaging Control, Cognex VisionPro AIK Plugin for IC Imaging Control, ActivisionTools Driver for IC Imaging Control, HALCON Extension for IC Imaging Control, LabVIEW Extension for IC Imaging Control, IC Matlab Plugin for Matlab 10.0 R2010, IC Matlab Plugin for Matlab R2013b and R2014, IC NeuroCheck Driver for NeuroCheck 6.0, IC NeuroCheck Driver for NeuroCheck 6.1.

### End User Software for Microsoft Windows

IC Capture, Image Acquisition, IC Measure, manual on-screen image measurement and image acquisition, IC Fullscreen Presenter, IC Line Profiler, Footswitch software for IC Capture, Scan2Docx, Scan2Docx OCR, Scan2Voice.

## DMK 23UX249 Specification

### GENERAL BEHAVIOR

Video formats @ frame rate	1,920 x 1,200 (2.3 MP), Y800 @ 30, 25, 20, 15, 7.5, 3.75 FPS 1,920 x 1,200 (2.3 MP), Y16 @ 15, 7.5, 3.75 FPS
Sensitivity	0.05 lx
Dynamic range	8 / 12 bit

### INTERFACE (OPTICAL)

IR cut filter	no
Sensor specification	<a href="#">Sony IMX249LL</a>
Shutter	Global
Format	1/1.2"
Resolution	H: 1,920 pixel, V: 1,200 pixel
Pixel size	H: 5.86 µm, V: 5.86 µm
Lens mount	C/CS

### INTERFACE (ELECTRICAL)

Interface	USB 3.0
Supply voltage	4.5 VDC to 5.5 VDC
Current consumption	approx 250 mA at 5 VDC

### INTERFACE (MECHANICAL)

Dimensions	H: 29 mm, W: 29 mm, L: 43 mm
Mass	65 g

### ADJUSTMENTS (MANUAL)

Shutter	1/100,000 s to 30 s
Gain	0 dB to 36 dB

### ADJUSTMENTS (AUTOMATIC)

Shutter	1/100,000 s to 30 s
Gain	0 dB to 36 dB

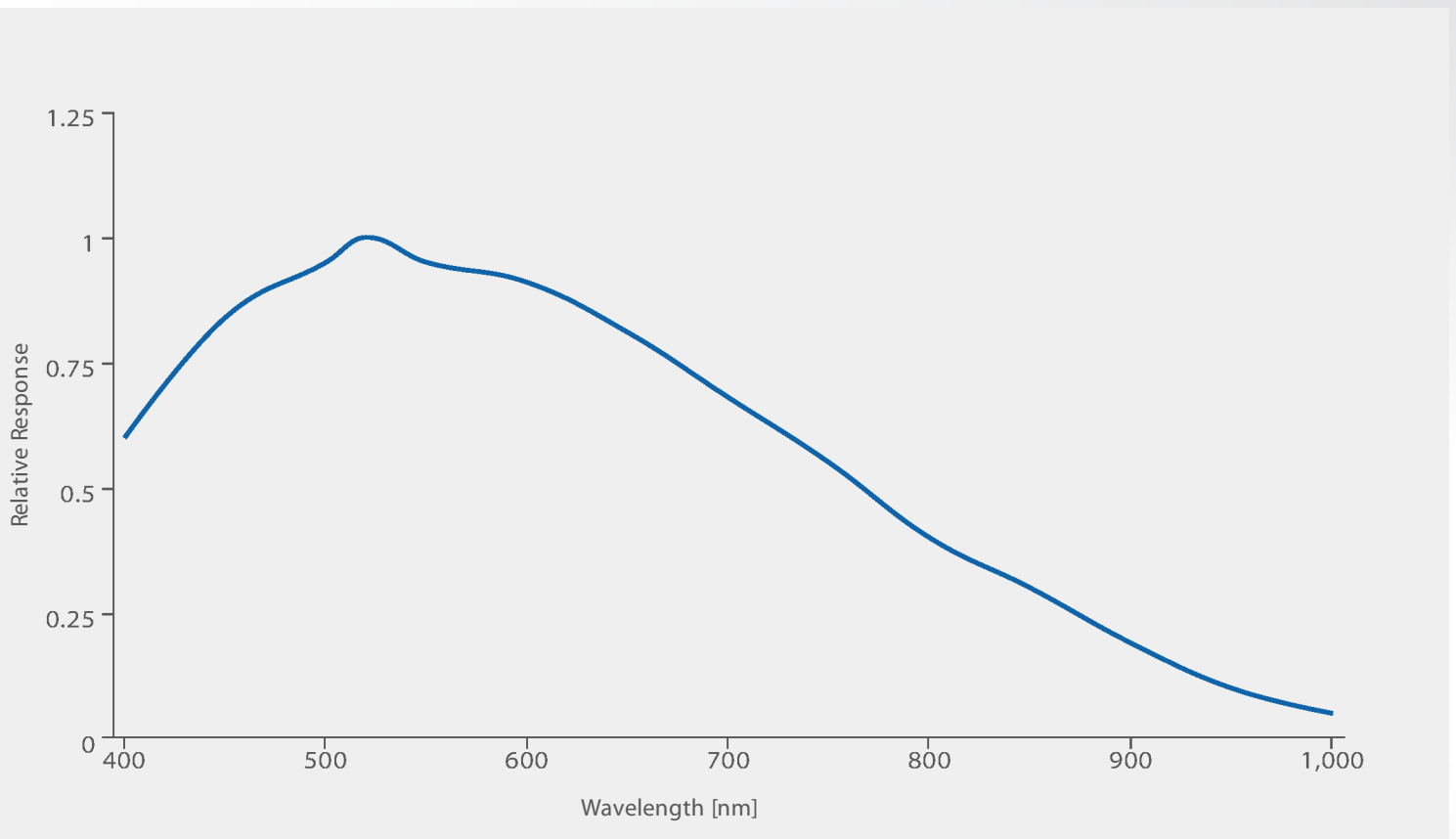
### ENVIRONMENTAL

Temperature (operation)	-5 °C to 45 °C
Temperature (storage)	-20 °C to 60 °C
Humidity (operation)	20 % to 80 % non-condensing
Humidity (storage)	20 % to 95 % non-condensing

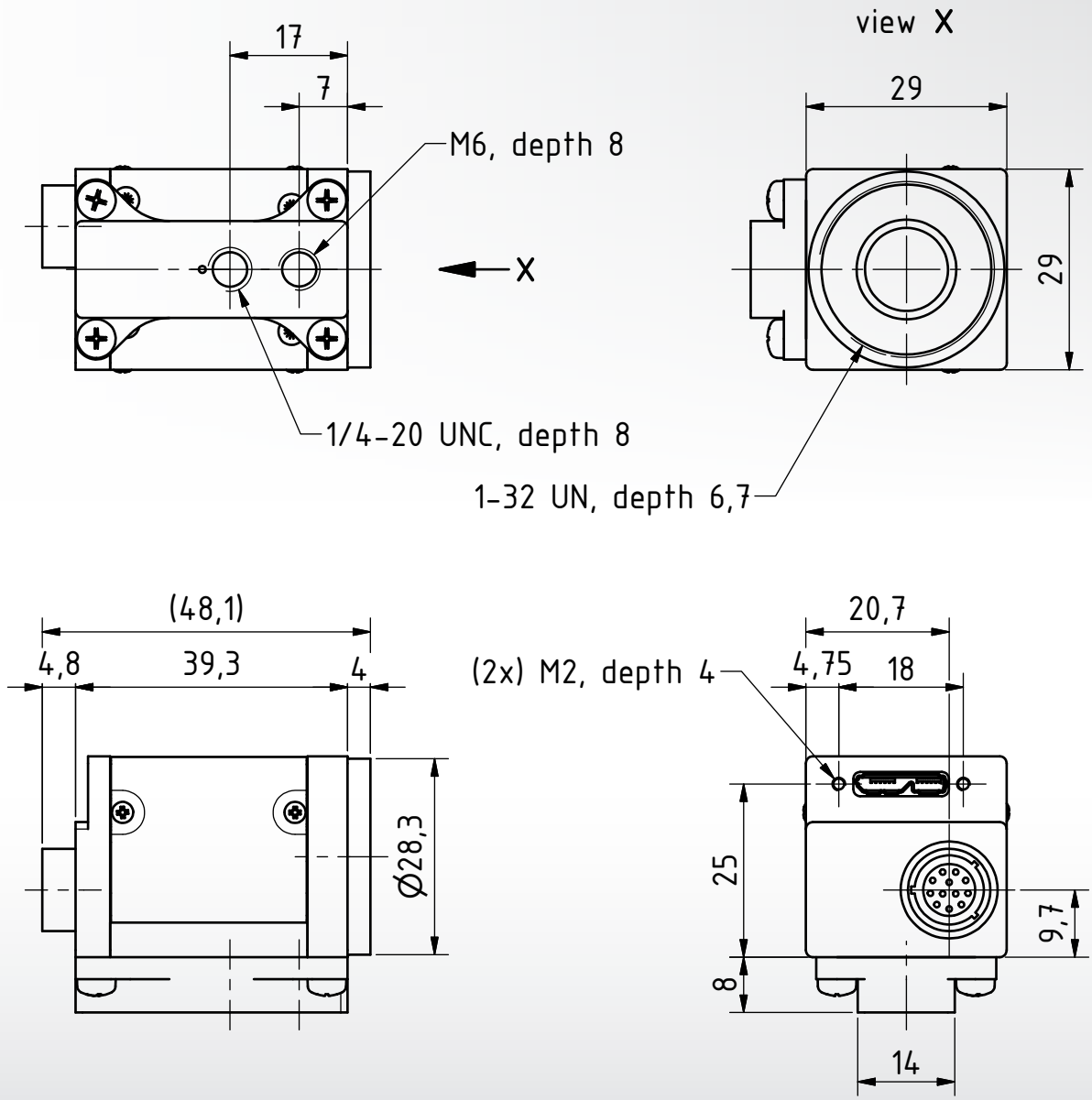
Subject to change

## Sony IMX249LL Spectral Response Curve

Exmor Sensor in DMK 23UX249



## DMK 23UX249 Dimensional Diagram



Dimensions: mm  
 Tolerances: DIN ISO 2768m



## Machine Vision - Designed in Germany



**Ever since The Imaging Source was founded in 1990, it has been one of the leading manufacturers of industrial cameras, frame grabbers and video converters for automation, quality assurance, logistics, medicine, science and security.**

Our extensive range of industrial cameras ships with USB 3.0, USB 2.0, GigE, FireWire 800 and FireWire 400 interfaces. Thanks to their multi-purpose features and extremely high quality standards, the cameras are commonly used in demanding applications.

The software support offered by the cameras fulfill the requirements of demanding end-users and programmers. The cameras can be put into operation within a few minutes, or integrated into new or existing applications with only a few lines of code. All camera drivers are Microsoft certified. The ease with which the cameras can be integrated, the corresponding low integration costs, and the high quality of the software set the industry standard.

All cameras, frame grabbers and video converters, manufactured by The Imaging Source, are the result of decades of experience, uncompromisingly high quality standards, and continual development. Developers and system engineers prefer The Imaging Source cameras due to their ease of system integration.

## World-Class Software and Customer Care



**What really separates The Imaging Source from its competitors is the comprehensive Windows and Linux software available free of charge with all its products, and the unsurpassed level of customer service.**

The Imaging Source authors and supports device drivers, software development kits (SDKs), programming samples, extensions, end-user software and software tools for Microsoft Windows. All Windows software can be download directly from our web site:

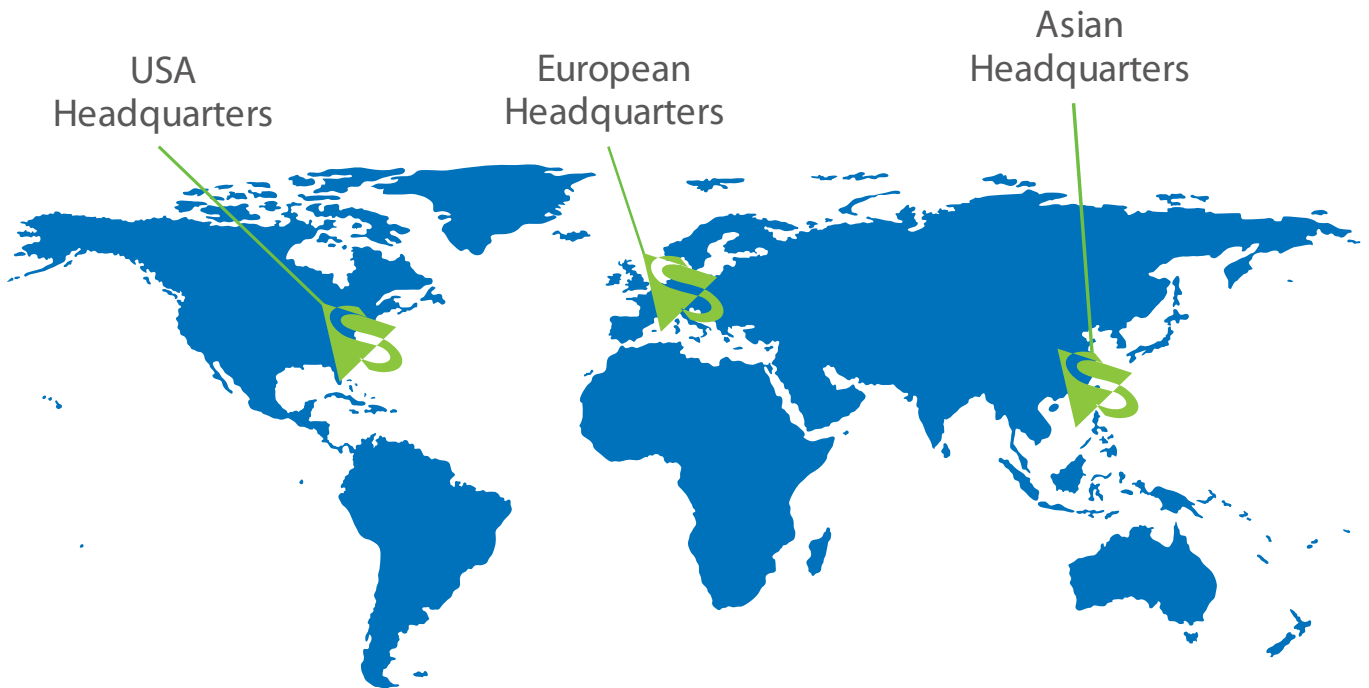
<http://www.theimagingsource.com>

Additionally, The Imaging Source authors and supports open source drivers and end-user software for Linux. The Linux source code, which is released under the Apache License 2.0, enables you to integrate all machine vision cameras into popular Linux distributions. The Open Source code is available to download from GitHub:

<http://www.github.com>

The Imaging Source guarantees fast and efficient customer service for all hardware and software issues via our skilled customer service representatives. Not only will we provide support regarding technical issues, but we will also work with you to implement our components into your project. Contact customer service at:

<http://www.theimagingsource.com>



PRESENT ALL OVER THE WORLD.

**THE IMAGING SOURCE,  
LLC**

6926 Shannon Willow Rd,  
Suite 400,  
Charlotte, NC 28226,  
United States.

Tel: +1 704-370-0110  
Fax: +1 704-542-0936

**THE IMAGING SOURCE  
EUROPE GMBH**

Sommerstrasse 36,  
28215 Bremen,  
Germany.

Tel: +49 (0)421 335 91 0  
Fax: +49 (0)421 335 91 80

**THE IMAGING SOURCE  
ASIA CO., LTD.**

2F., No.8, Xinhua 1st Road,  
Neihu District,  
Taipei City 114,  
Taiwan.

Tel: +886 2-2792-3153  
Fax: +886 2-2792-6583

All product and company names in this document may be trademarks and tradenames of their respective owners and are hereby acknowledged. The Imaging Source, LLC cannot and does not take any responsibility or liability for any information contained in this document. The source code in this document may be used exclusively used for educational purposes. The Imaging Source, LLC does not assume any kind of warranty expressed or implied, resulting from the use of the content of this document or the source code. The Imaging Source, LLC reserves the right to make changes in specifications, function or design at any time and without prior notice.

All weights and dimensions are approximate. Unless otherwise specified the lenses shown in the context of cameras are not shipped with these cameras.

Reprint, also in parts, only allowed with permission of The Imaging Source, LLC.

Last update: April 19, 2016 at 2:36 PM. © 2016 The Imaging Source, LLC. All rights reserved.