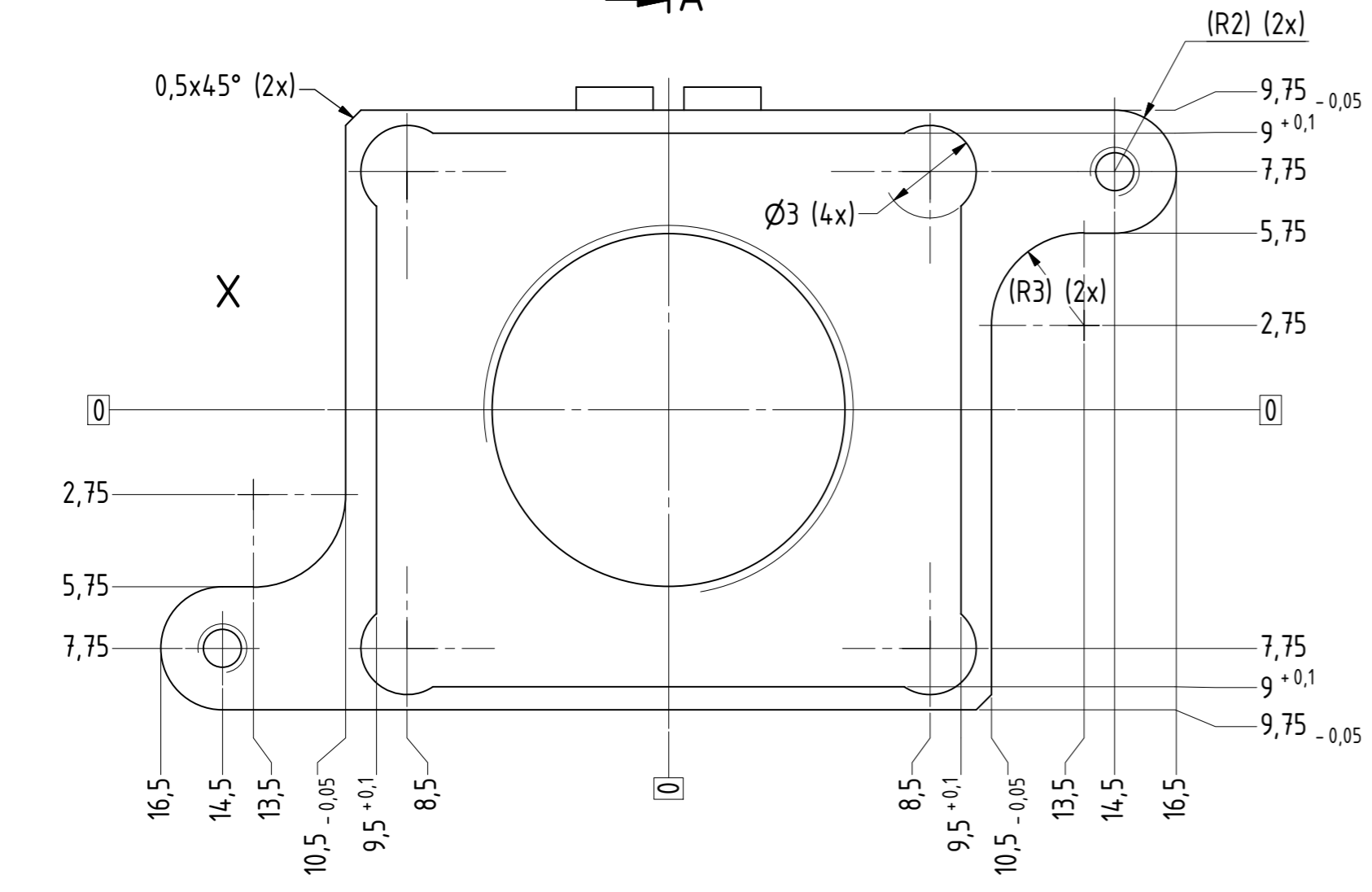


part name:	drawing no.:	A [mm]
Klemm-Minilinsenhalter 10	236-17-0-10-01	10,0
Klemm-Minilinsenhalter 12	236-17-0-12-01	12,0
Klemm-Minilinsenhalter 13	236-17-0-13-01	13,0
Klemm-Minilinsenhalter 14	236-17-0-14-01	14,0
Klemm-Minilinsenhalter 15	236-17-0-15-01	15,0
Klemm-Minilinsenhalter 16	236-17-0-16-01	16,0
Klemm-Minilinsenhalter 20	236-17-0-20-01	20,0

√ Rz 10

Dimensions without tolerance: ± 0,05



All sharp edges removed		machined surface DIN ISO 1302					scale:	quantity:
<input type="checkbox"/> black-oxide	<input checked="" type="checkbox"/> bath nitriding ca. 3 hours	<input checked="" type="checkbox"/> roh	<input checked="" type="checkbox"/> a/√Rz63	<input checked="" type="checkbox"/> b/√Rz16	<input checked="" type="checkbox"/> c/√Rz4	<input checked="" type="checkbox"/> d/√Rz1	5:1	
<input type="checkbox"/> nitriding	56 ± 2 HRC Nht 0,4 ± 0,2	dimensions without tolerances according to DIN ISO 2768		editor	date	name	material:	
<input type="checkbox"/> case-hardened	± 2 HRC Eht ± 0,2	<input type="checkbox"/> fine	<input type="checkbox"/> medium	<input type="checkbox"/> rough	checked	01.09.2017	Westermann	3.3206 AlMgSi0,5
<input type="checkbox"/> stress relieved		dimensions		checked		part name:		
<input checked="" type="checkbox"/> anodize color:		<6	± 0,05	± 0,1			Tab. Klemm-Minilinsenhalter	
<input type="checkbox"/> nickel-plated		>6-30	± 0,1	± 0,2			drawing number:	
<input type="checkbox"/> painted RAL		>30-120	± 0,15	± 0,3			236-17-0-xx-01	
		>120-400	± 0,2	± 0,5			product code:	
							pos. no.:	
							sheet no.:	