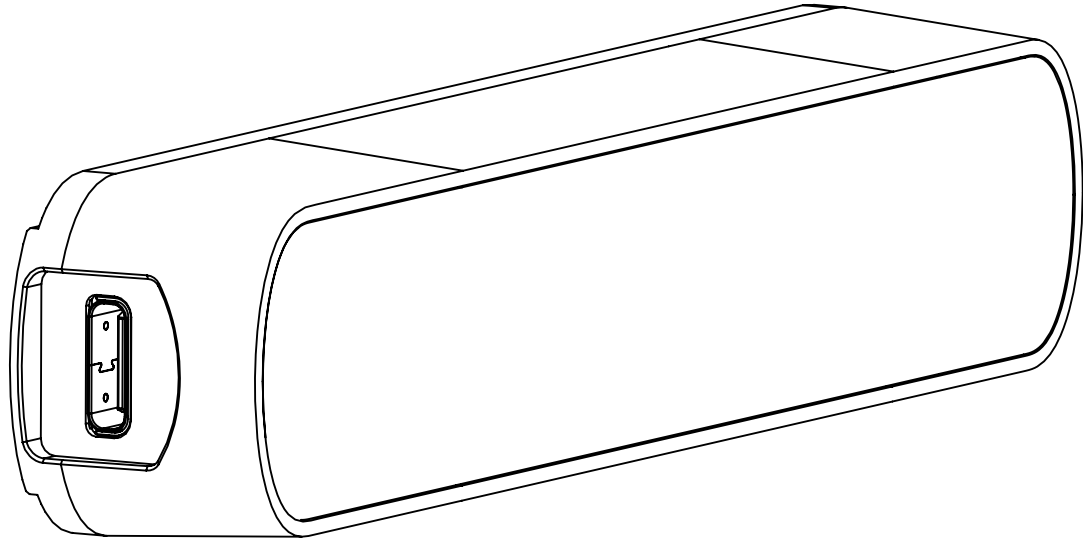


2

1

B

B



A

A

THIS DOCUMENT COVERS MODELS			NAME	DATE	Occipital Inc TITLE: Structure Core Mounting Guide		
ST02D		DRAWN	Edwards				
ST02D-C		CHECKED					
ST02		ENG APPR.					
		MFG APPR.					
		Q.A.					
PROPRIETARY AND CONFIDENTIAL		COMMENTS:			SIZE	DWG. NO.	REV
THE INFORMATION CONTAINED IN THIS DRAWING IS THE SOLE PROPERTY OF Occipital Inc. ANY REPRODUCTION IN PART OR AS A WHOLE WITHOUT THE WRITTEN PERMISSION OF Occipital Inc IS PROHIBITED.					A	20181207	1
		SCALE: 1:1		WEIGHT:	SHEET 1 OF 5		

2

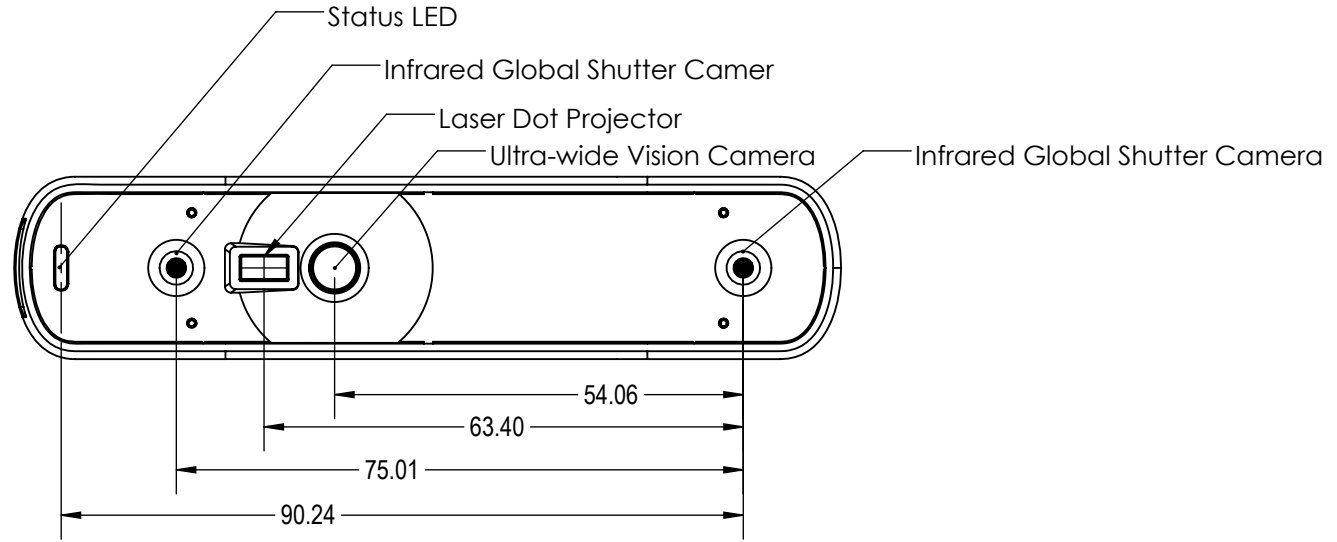
1

2

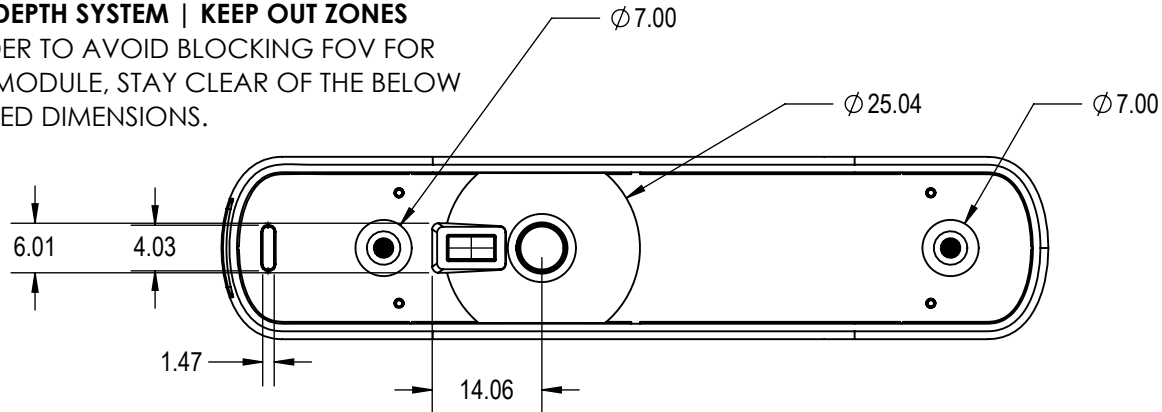
1

B

B



NOTE: DEPTH SYSTEM | KEEP OUT ZONES
 IN ORDER TO AVOID BLOCKING FOV FOR EACH MODULE, STAY CLEAR OF THE BELOW SPECIFIED DIMENSIONS.



ST02D (Enclosed Module)

A

A

	NAME	DATE	Occipital Inc		
DRAWN			Structure Core Mounting Guide		
CHECKED					
ENG APPR.					
MFG APPR.					
Q.A.					
COMMENTS:			SIZE	DWG. NO.	REV
			A	20181207	1
			SCALE: 1:1	WEIGHT:	SHEET 4 OF 5

PROPRIETARY AND CONFIDENTIAL

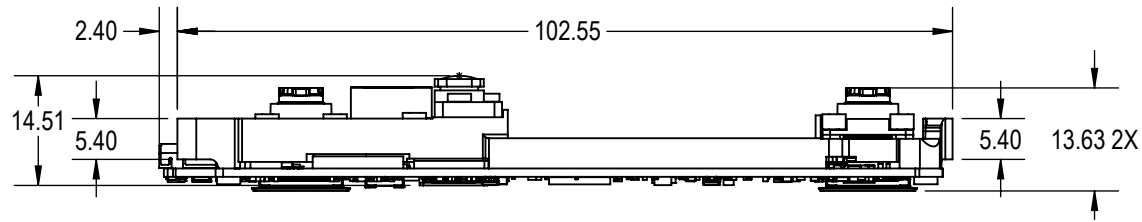
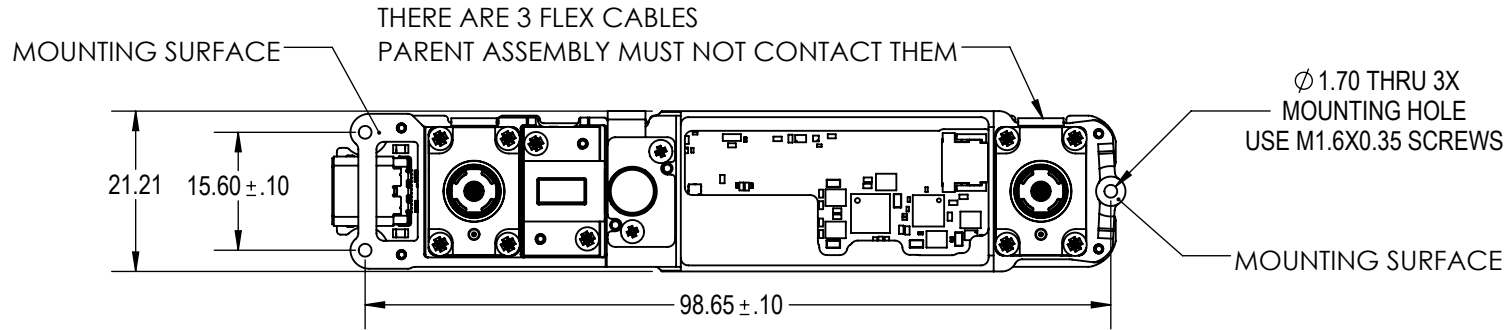
THE INFORMATION CONTAINED IN THIS DRAWING IS THE SOLE PROPERTY OF Occipital Inc. ANY REPRODUCTION IN PART OR AS A WHOLE WITHOUT THE WRITTEN PERMISSION OF Occipital Inc IS PROHIBITED.

2

1

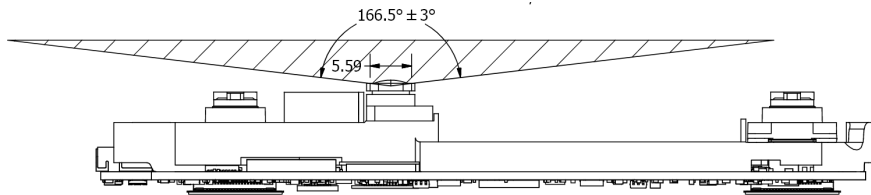
2

1

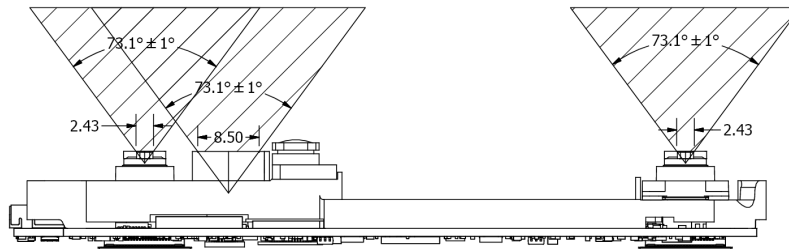
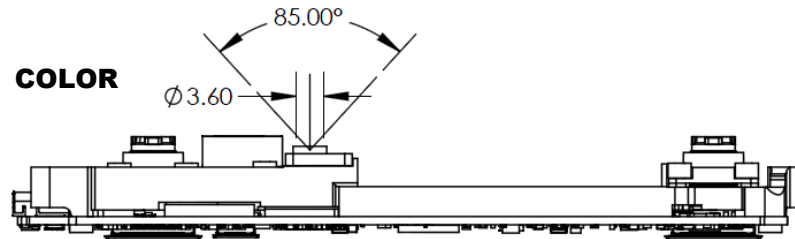


DEPTH SYSTEM FOV / KEEP OUT ZONE CONES

MONOCHROME



COLOR



ST02 (Bare Module)

	NAME	DATE
DRAWN		
CHECKED		
ENG APPR.		
MFG APPR.		
Q.A.		
COMMENTS:		

Occipital Inc		
TITLE: Structure Core Mounting Guide		
SIZE A	DWG. NO. 20181207	REV 1
SCALE: 1:1	WEIGHT:	SHEET 5 OF 5

PROPRIETARY AND CONFIDENTIAL

THE INFORMATION CONTAINED IN THIS DRAWING IS THE SOLE PROPERTY OF Occipital Inc. ANY REPRODUCTION IN PART OR AS A WHOLE WITHOUT THE WRITTEN PERMISSION OF Occipital Inc IS PROHIBITED.

2

1

B

B

A

A