

# DMM 36VX296-ML



<b>1. Quick Facts</b>	<b>3</b>
<b>2. Electrical Characteristics</b>	<b>4</b>
2.1 Absolute Maximum Ratings .....	4
2.2 Recommended Operating Conditions .....	4
<b>3. Dimensional Diagrams</b>	<b>5</b>
3.1 DMM 36VX296-ML Board Camera .....	5
<b>4. Spectral Characteristics</b>	<b>6</b>
4.1 Spectral Sensitivity - IMX296LQR-C .....	6
<b>5. 22-Pin Camera Connector</b>	<b>7</b>
<b>6. I/O Connector</b>	<b>8</b>
<b>7. I2C I/O Expander Configuration</b>	<b>10</b>
<b>8. Sensor Clock Configuration</b>	<b>11</b>
<b>9. I2C Devices</b>	<b>12</b>



## 1 Quick Facts

<b>General</b>	
Dynamic Range	10 bit
Resolution	1440x1080
Frame Rate at Full Resolution	60
Pixel Formats	10-Bit Monochrome

<b>Optical Interface</b>	
Sensor Type	Sony IMX296LQR-C
Shutter Type	Global
Sensor Format	1/2.9 inch
Pixel Size	3.45 $\mu\text{m}$

<b>Electrical Interface</b>	
Interface	22-Pin FFC Connector
Supply voltage	3.3V
Current consumption	approx tba mA @ 3.3 VDC

<b>Mechanical Data</b>	
Dimensions	H: 30 mm, W: 30 mm, L: 16.2 mm
Mass	12 g

<b>Adjustments</b>	
Shutter	1 $\mu\text{s}$ to 1 s
Gain	0 dB to 48 dB

<b>Environmental</b>	
Temperature (operating)	-5 °C to 45 °C
Temperature (storage)	-20 °C to 60 °C
Humidity (operating)	20 % to 80 % (non-condensing)
Humidity (storage)	20 % to 95 % (non-condensing)



## 2 Electrical Characteristics

### 2.1 Absolute Maximum Ratings

Item	Symbol	Pins	Min	Max	Unit
------	--------	------	-----	-----	------

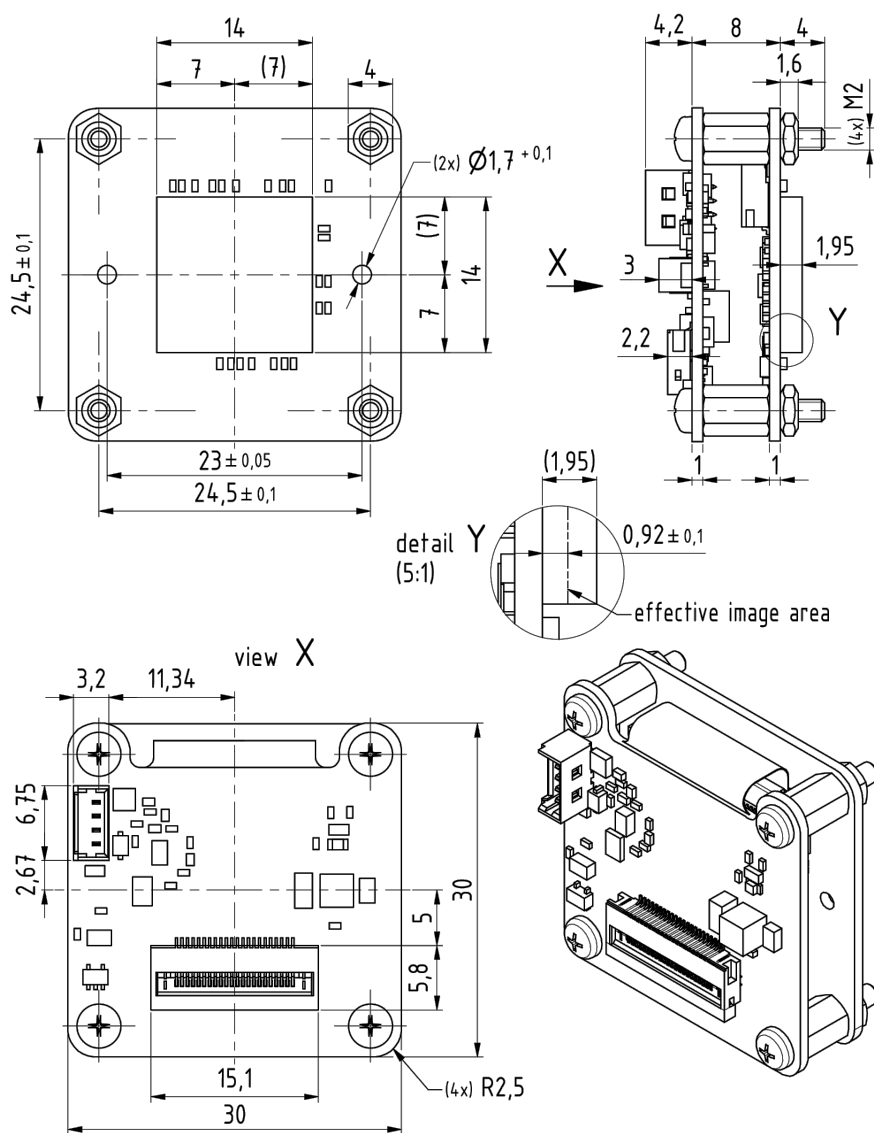
### 2.2 Recommended Operating Conditions

Item	Symbol	Pins	Min	Typ	Max	Unit
------	--------	------	-----	-----	-----	------



## 3 Dimensional Diagrams

### 3.1 DMM 36VX296-ML Board Camera



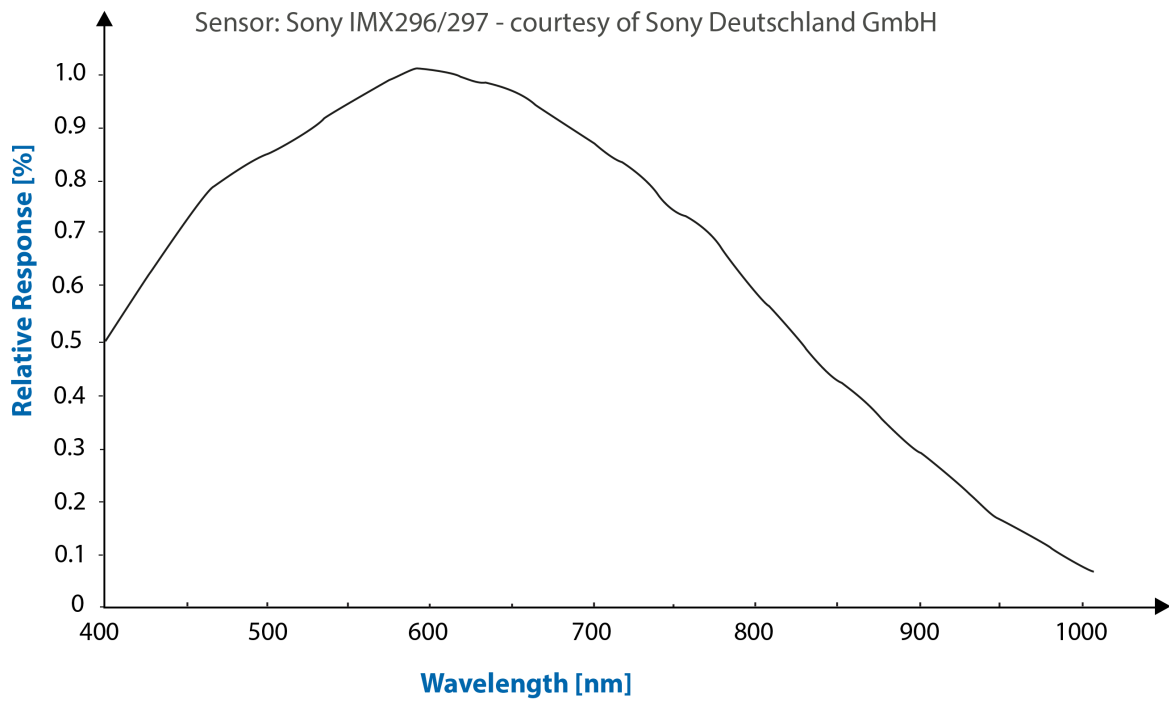
Scale: 2 : 1  
 Dimensions: mm  
 Tolerances: DIN ISO 2768-m  
 289-20-6-02-00





## 4 Spectral Characteristics

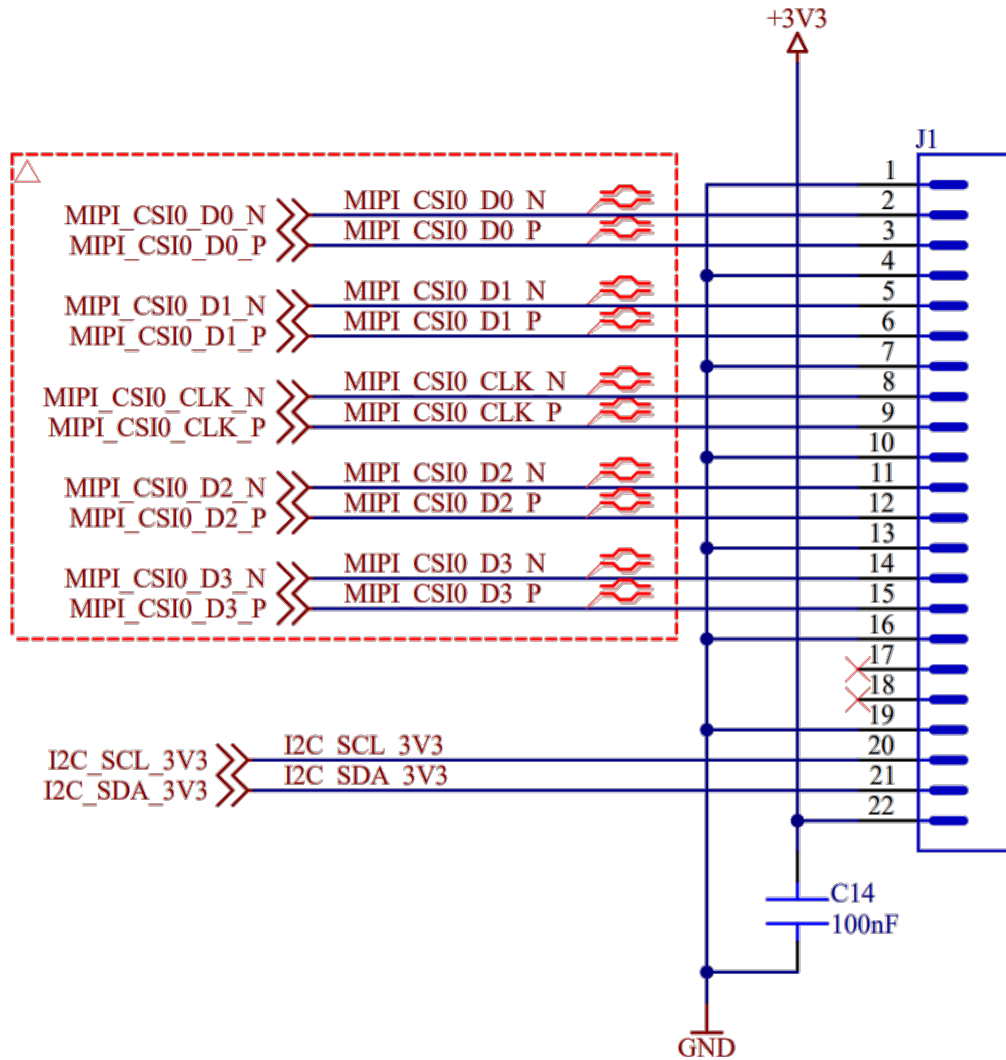
### 4.1 Spectral Sensitivity - IMX296LQR-C





## 5 22-Pin Camera Connector

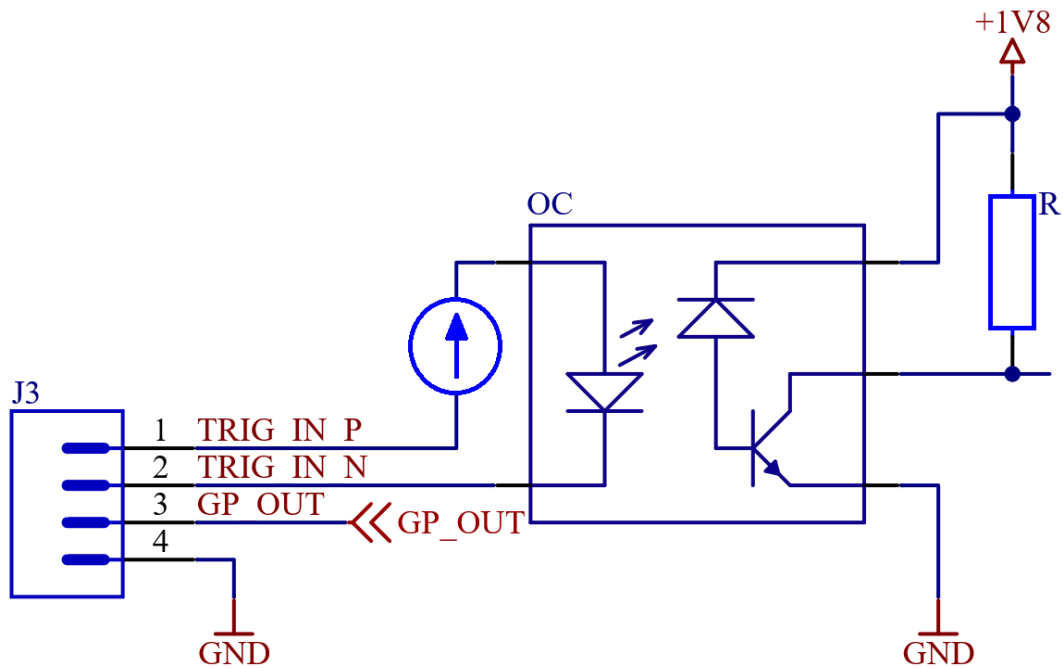
The connector J1 (WE 687122149022) is compatible to the Raspberry Pi Compute Module I/O Board camera interface:





## 6 I/O Connector

The DMM 36VX296-ML camera has a user GPIO I/O connector with the following pinout:



Pin	Name	Description
1	TRIGGER_IN_P	Opto-decoupled trigger input, anode of IR-LED
2	TRIGGER_IN_N	Opto-decoupled trigger input, cathode of IR-LED
3	GP_OUT	General purpose output, referenced to GND
4	GND	System ground

The trigger input is opto-decoupled. To drive the trigger input, a voltage must be applied to pins 1 and 2. Note: pin 1 is the positive input; pin 2 is the negative input.

Pin 3 is a general-purpose output pin that can be controlled via software. The pin can be configured for TTL mode output or open drain output. LED2 indicates a possible overcurrent.





The recommended operating conditions of the user GPIO connector J3 are displayed in the following tables. CAUTION: Functional operation beyond the recommended operating conditions is not assumed.

Parameter	Min	Max
Trigger input voltage	3.15V	25.5V

Parameter	Min	Max
TTL-mode high voltage	-	250mA @ 4V
TTL-mode low voltage	-	250mA @ 0.05V

Parameter	Min	Max
Open-drain-mode voltage	-	24V
Open-drain-mode current	-	250mA

Please ensure that enough additional power is provided via the embedded system to operate the connected devices at the user GPIO connector (J3).



## 7 I2C I/O Expander Configuration

Various I/O functionalities of the camera are controlled through a I2C I/O Expander.

The TCA6408A part has the 7-bit I2C-address 0x20. The table below depicts which signals can be controlled through this expander:

I/O Pin	Name	Dir	Description
P0	CAM_PWR	O	Enable CMOS sensor power supply 0: Sensor power disabled 1: Sensor power enabled
P1	RESET	O	CMOS sensor reset signal 0: Sensor is in reset state 1: Sensor is in operational state
P2	GPOUT_LEVEL	O	If GPOUT_SELECT = 0: --->0: LED1 off --->1: LED1 on If GPOUT_SELECT = 1: --->0: GPOUT is low/0 V --->1: GPOUT is tri-stated or high/+5V (depends on the setting of P3)
P3	GPOUT_PUSHPULL	O	GPOUT (PicoBlade) type selection 0: GPOUT is configured as open-drain-output 1: GPOUT is configured as TTL/push-pull-output
P4	GPOUT_SELECT	O	Function of GPOUT (PicoBlade) Pin 0: STROBE from CMOS sensor board 1: GPOUT_LEVEL from serializer board
P5	TRIGGER_LEVEL	O	Controls the polarity of the trigger input on the PicoBlade connector. 0: Trigger source level polarity is not inverted 1: Trigger source level polarity is inverted
P6	TRIGGER_SOURCE	O	Controls the source of the trigger signal that is forwarded to the sensor. 0: Sensor is triggered by the trigger signal coming from the FPD-Link / deserializer chip. 1: Sensor is triggered by the trigger signal that is applied to the PicoBlade I/O connector.
P7	RESERVED_7	O	Reserved



## 8 Sensor Clock Configuration

The sensor's input clock frequency can be configured via the clock generator Si5356A with the I2C address 0x70 (7-bit). The input clock of Si5356A (CLKIN, pin 4) is connected to an external crystal oscillator SG-210STF (25MHz). The generated frequency is output at CLKA0 (pin 25). The manufacturer's Clock Builder software tool can be used to generate the required settings.

For more information about Si5356A, please refer to the datasheet:

<https://www.silabs.com/documents/public/data-sheets/si5356a-datasheet.pdf>



## 9 I2C Devices

There are multiple I2C devices on the DMM 36VX296-ML sensor board. The following table describes the parts and their I2C addresses:

Address (7-bit)	Device	Description
0x1A	IMX296LQR-C	Image Sensor
0x50	AT24C256C	EEPROM
0x57	AT24C02C	EEPROM



## DMM 36VX296-ML

All product and company names in this document may be trademarks and tradenames of their respective owners and are hereby acknowledged.

The Imaging Source Europe GmbH cannot and does not take any responsibility or liability for any information contained in this document. The source code presented in this document is exclusively used for didactic purposes. The Imaging Source Europe GmbH does not assume any kind of warranty expressed or implied, resulting from the use of the content of this document or the source code.

The Imaging Source Europe GmbH reserves the right to make changes in specifications, function or design at any time and without prior notice.

Last update: September 2021

© 2021 The Imaging Source Europe GmbH

All rights reserved. No part of this publication may be reproduced, distributed, or transmitted in any form or by any means, including photocopying, recording, or other electronic or mechanical methods, without the prior written permission of the publisher, except in the case of brief quotations embodied in critical reviews and certain other noncommercial uses permitted by copyright law.

All weights and dimensions are approximate. Unless otherwise specified, the lenses shown in the context of cameras are not shipped with these cameras.

### **Headquarters:**

*The Imaging Source Europe GmbH  
Überseetor 18, D-28217 Bremen, Germany  
Phone: +49 421 33591-0*

### **North & South America:**

*The Imaging Source, LLC  
6926 Shannon Willow Rd, S 400, Charlotte, NC 28226, USA  
Phone: +1 704-370-0110*

### **Asia Pacific:**

*The Imaging Source Asia Co., Ltd.  
2F., No.8, Xinhua 1st Road  
Taipei City 114, Neihu District, Taiwan  
Phone: +886 2-2792-3153*

[www.theimagingsource.com](http://www.theimagingsource.com)