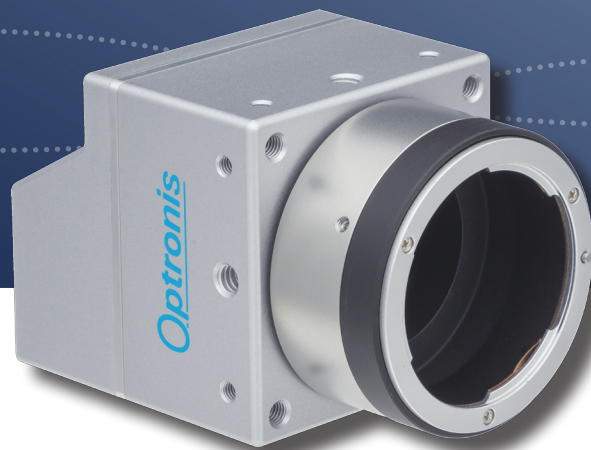


CAMPERFORM-CYCLONE SERIES

Cyclone-21-230

High-Speed Machine Vision Camera



CXP-12

- ✓ HIGH SPEED MACHINE VISION
- ✓ AUTOMATED OPTICAL INSPECTION (AOI)
- ✓ SEMICONDUCTOR QUALITY CONTROL

- GSPRINT4521
- 230 fps with 5120 x 4096 pixels
- Global shutter mode
- High full well capacity >30 ke-
- CoaXPress V2.0 interface with 4 x 12.5 Gbit/s
- Power and trigger via CoaXPress

Cyclone-21-230 High-Speed Machine Vision Camera **Optronis**

Make time visible

FEATURES

With 21 MPixel resolution the Cyclone-21-230 still provides high frame rate of 230 fps. The camera is part of Optronis' CamPerform-Cyclone series for demanding machine vision applications.

- 5 120 x 4 096 pixel resolution
- low noise pixel
- sensor frame rate increases with vertical window size reduction

Firmware features

- Analogue gain adjustment
- Analogue offset adjustment
- Defect pixel correction (customer activatable)
- Framenumber and Microsecond counter on image

SPECIFICATIONS

Sensor type	GSPRINT4521, High-Speed
Resolution	5 120 x 4 096 pixel
Frame rate (full resolution)	1 .. 230 fps
Exposure time	4 µs .. 1 / frame rate
Active area / Diagonal	23.04 mm x 18.43 mm / 29.5 mm
Pixel distance	4.5 µm x 4.5 µm
A/D conversion	8/10 Bit
Device Tap Geometry	1X-2YE
Quantum efficiency (sensor)	63 % @ 520 nm
Synchronization	internal, external, CoaXPress
Synchronization signals	Synch IN and Synch OUT, TTL level, electrically isolated
Interface	CoaXPress 2.0 (4 ch., CXP-12) Micro-BNC (HD-BNC) connectors
Power	external supply <18.0 W, PoCXP
Temperature Ranges	- operation, amb., with CY-FAN2 0 .. +30°C / 32 .. 86°F - operation, case temperature 0 .. +50°C / 32 .. 122°F
Weight	400 g w/o mount, w/o CY-FAN2
Dimensions	65 mm x 65 mm x 73 mm (3D model data available)

EMVA1288 measurements (v3.1 typ. 10 bit)

Dynamic range	59 dB
Saturation capacity	31 000 e ⁻
Temporal dark noise	35 e ⁻
System gain	32 e ⁻ /DN
Signal-to-Noise Ratio	45 dB
DSNU	18 e ⁻
PRNU	1.6 %
Non-linearity error (v 3.0)	0.54 %

PERFORMANCE (EXAMPLES, 8 BIT, SEE ALSO FRAME RATE CALCULATOR)

Resolution (HxV)	Frame rate	Resolution (HxV)	Frame rate
5 120 x 4 096	230 fps	5 120 x 2 048	456 fps
3 840 x 2 176	442 fps	5 120 x 1 024	897 fps
1 920 x 1 088	871 fps	5 120 x 512	1 735 fps
1 024 x 1 024	924 fps	5 120 x 32	14 055 fps
640 x 480	1 898 fps	4 928 x 32	14 436 fps

MODELS

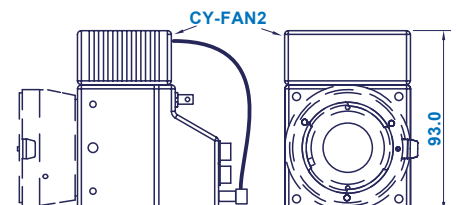
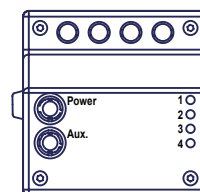
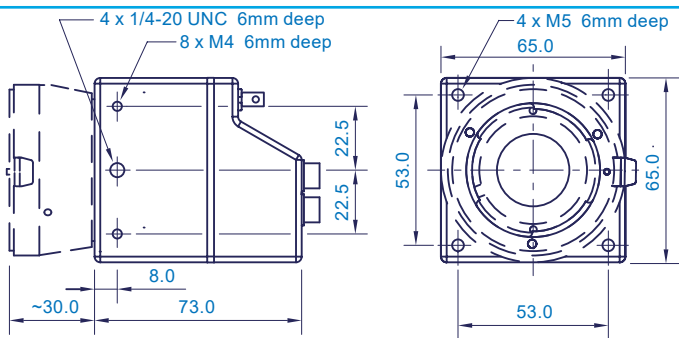
Cyclone-21-230-M	monochrome camera
Cyclone-21-230-C	color camera
Scope of delivery	camera, CY-FAN2, brief introduction

ACCESSORIES

CY-CM	C-Mount lens adapter
CY-FM	F-Mount lens adapter
CY-M42	M42 Mount lens adapter
CPH6-PTC	Pig tail cable for synch
CPH6-USB	Programming Cable
CY-FAN2	Cooling Fan



TECHNICAL DRAWINGS



CONTACT INFORMATION

Optronis GmbH
Ludwigstraße 2
77694 Kehl
Germany

Phone: +49 7851 91 26 - 0
Fax: +49 7851 91 26 - 10
info@optronis.com
www.optronis.com

The information given herein is believed to be reliable, however Optronis makes no warranties as to its accuracy or completeness. Data sheet is subject to modifications at any time. 2.22