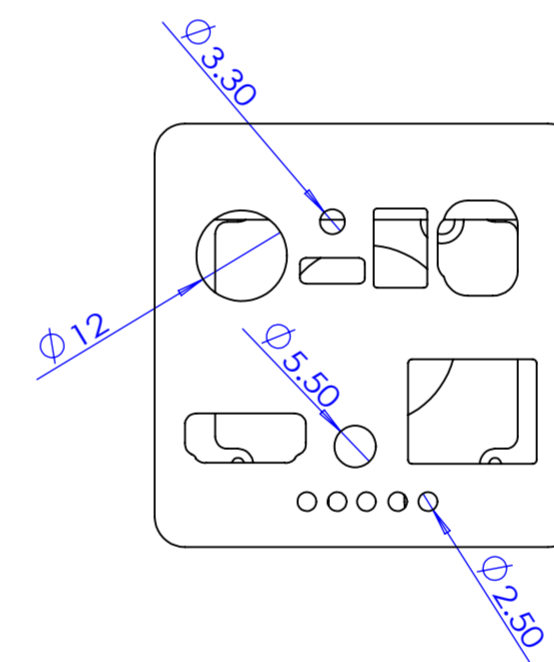
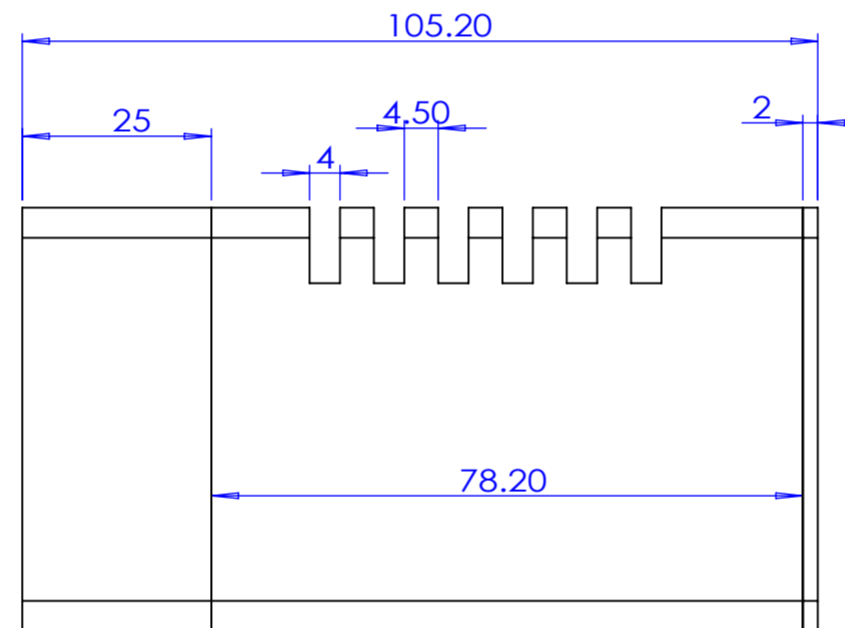
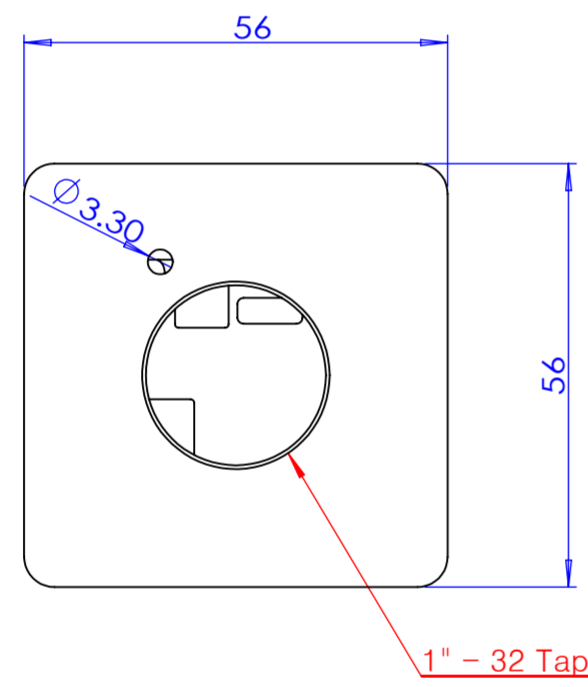
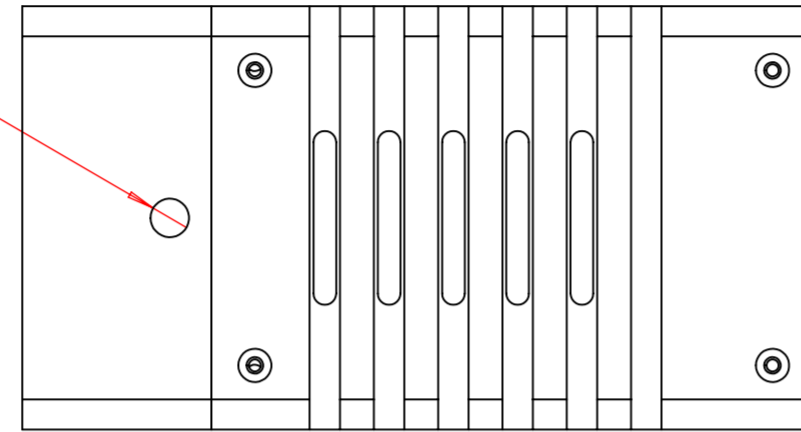
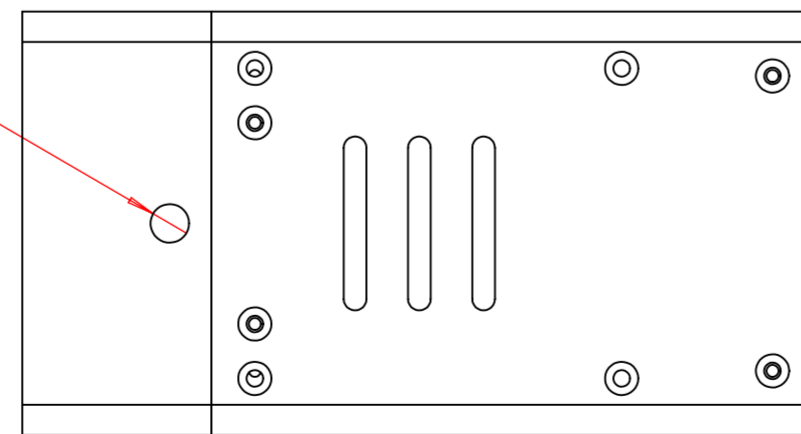


$\phi$  5.11  $\nabla$  6  
 1/4-20 UNC - 2B  $\nabla$  5.95



$\phi$  5.11  $\nabla$  6  
 1/4-20 UNC - 2B  $\nabla$  5.95



	Designed	
	Scale	1 : 1
Part No.		
Title	HD-NDI-200	