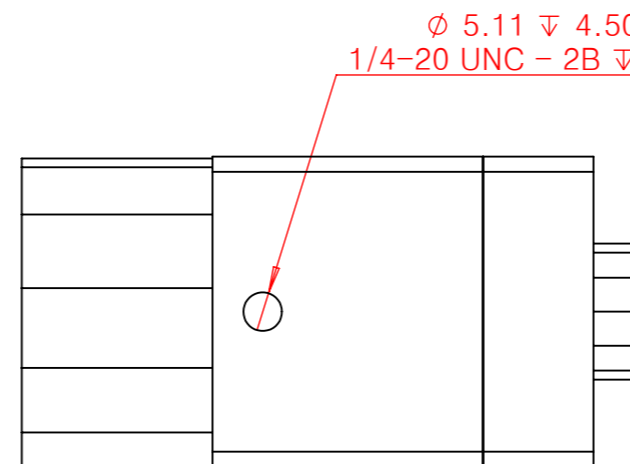
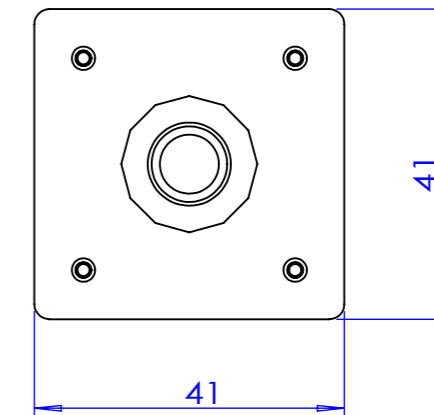
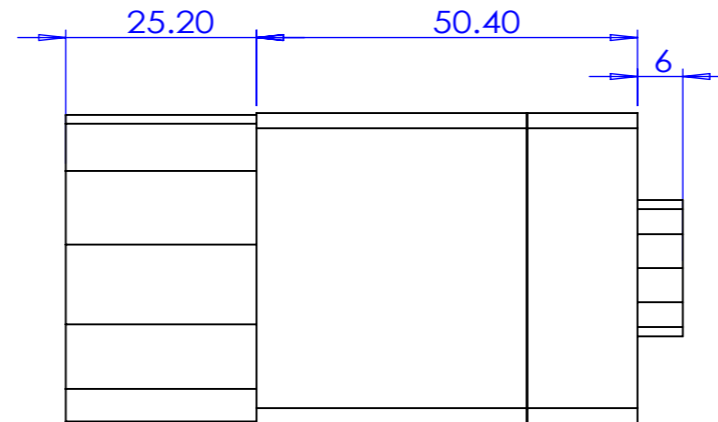
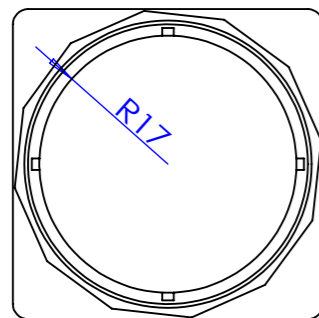


$\phi$  5.11  $\nabla$  4.50  
 1/4-20 UNC - 2B  $\nabla$  4.45



$\phi$  5.11  $\nabla$  4.50  
 1/4-20 UNC - 2B  $\nabla$  4.45

	Designed	
	Scale	1 : 1
Part No.		
Title	HD_100A_IP67	