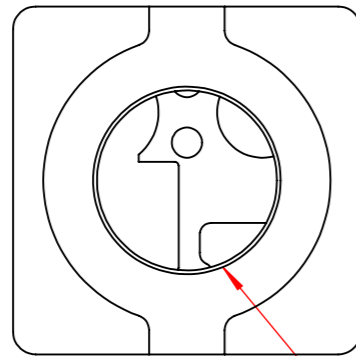
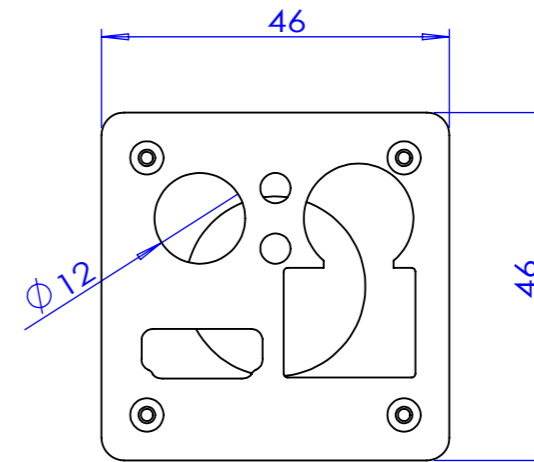
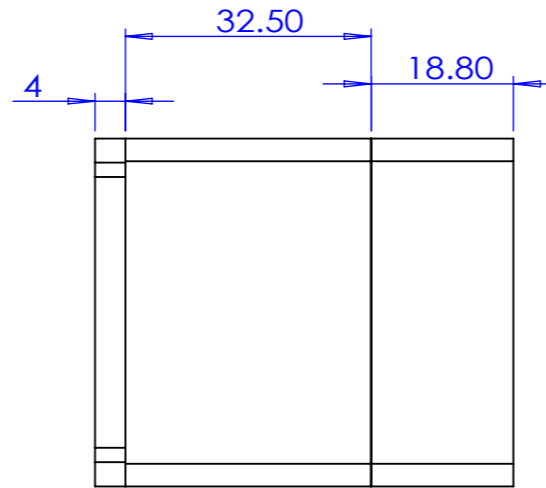
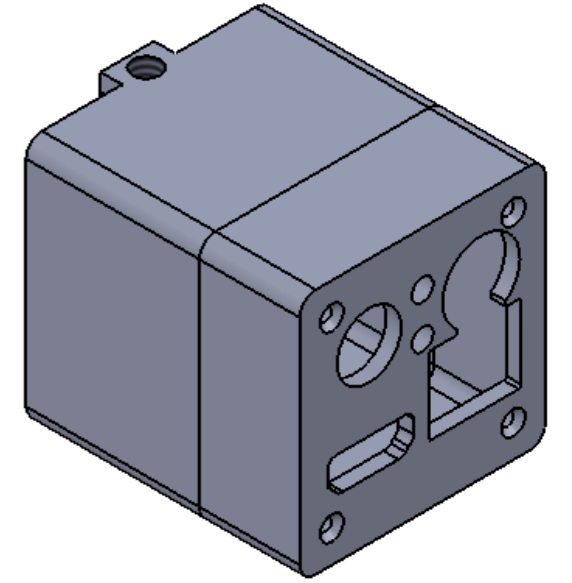
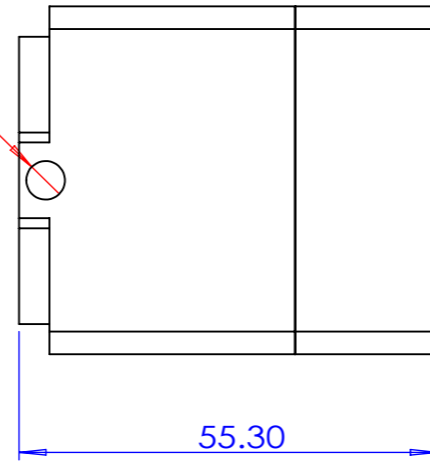
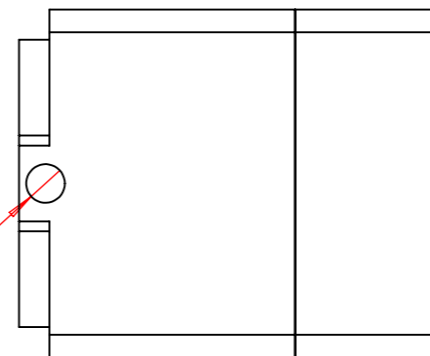


ϕ 5.11 ∇ 5
 1/4-20 UNC - 2B ∇ 4.50



1" - 32 Tap

ϕ 5.11 ∇ 5
 1/4-20 UNC - 2B ∇ 4.50



	Designed	
	Scale	1 : 1
Part No.		
Title	GEN3G_IPC_200	