

# HB-9000-G Series

HB-9000-G-M Monochrome

HB-9000-G-C Color



## HB-9000-G: 25GigE camera with Gpixel GMAX2509

HB-9000-G features the Gpixel GMAX2509 sensor. Benefits include low noise, high dynamic range, and high frame rates. At full resolution (4200 x 2160) you get 290 frames per second. Its ultra high-speed 25GigE SFP28 interface offers many benefits including low-cost accessories, low CPU overhead, low latency, low jitter, and accurate multi-camera synchronization using IEEE1588. In addition, 25GigE SFP28 offers three supported cabling options for cable lengths from 1M to 10KM.

### Benefits

- » High-speed 25GigE SFP28
- » 25x the speed of GigE
- » Ultra high data/frame rates
- » GigE Vision® and GenICam™ compliant
- » Optional IP67 housing

### Applications

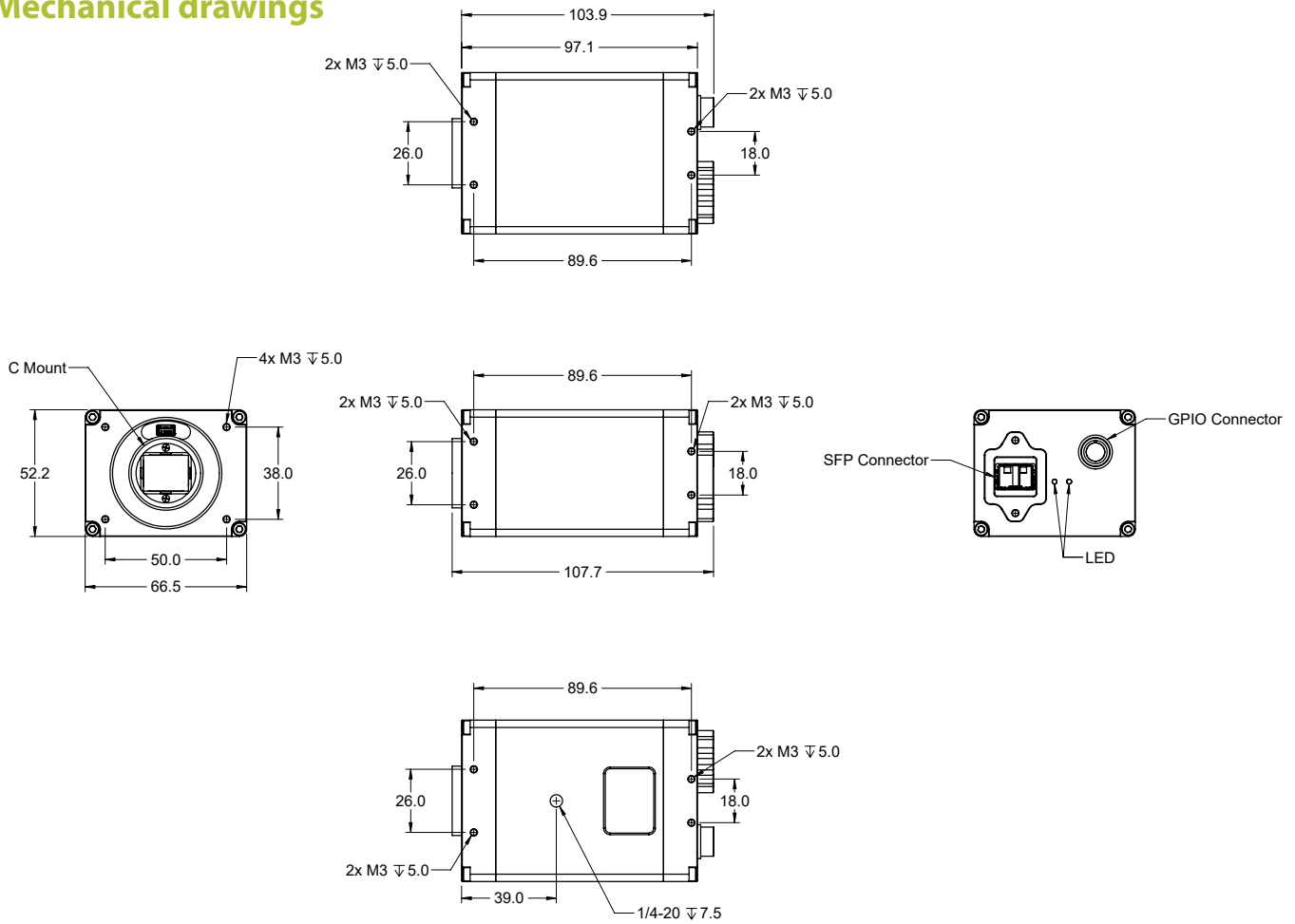
- » Immersive 3D Content
- » Finish Line Vision
- » Referee Assist

## Specifications

|                       |  |
|-----------------------|--|
| Sensor                | GMAX2509   |
| Resolution            | 4200 x 2160  |
| Megapixels            | 9.07MP   |
| Sensor Type           | 2/3" CMOS  |
| Max Frame Rate        | 290fps   |
| Cell Size             | 2.5x2.5µm  |
| Standard Mount        | C Mount  |
| Shutter               | Global   |
| Bit Depth             | 8 & 10 bit   |
| GPIO / Triggering     | 3 in, 3 out<br>Software, External<br>(Pulse or Edge) |
| Interface             | 25GigE SFP28   |
| Exposure/Integration* | 5µs-1s   |
| Dynamic Range         | >60dB @ 10bit  |
| Monochrome Modes      | Mono8, Mono10, Mono10Packed                          |
| Color Modes           | RGB8, BGR8, YUV411, YUV422, YUV444                   |
| Raw Modes             | BayerGB8, BayerGB10, BayerGB10Packed                 |
| Operating System      | Win10 (64 bit), Linux (64 bit)                       |
| Compliance            | CE, FCC, RoHS, WEEE, GigE Vision, GenICam            |
| Power Requirements    | 9W, 12V  |
| Operating Temperature | 0C - 45C   |
| Storage Temperature   | -30C to +60C   |
| Dimensions & Weight   | 97 x 66 x 52 - 500g                                  |
| Warranty              | 2 Years  |

\*all minimum exposure specs can vary from what is listed based on the limitations of each sensor as per notice from the manufacturer.

## Mechanical drawings



## Spectral Sensitivity

