

DMM 36MX290-ML



1. Quick Facts	3
2. Electrical Characteristics	5
2.1 Absolute Maximum Ratings	5
2.2 Recommended Operating Conditions	5
3. Dimensional Diagrams	6
3.1 DMM 36MX290-ML Board Camera	6
4. Spectral Characteristics	7
4.1 Spectral Sensitivity - IMX290LQR-C	7
5. Connector Description	8
6. CSI Lane Configurations	11
7. I2C Devices	12
8. Programming the Image Sensor	13
8.1 Input Clock	13
8.2 Power-up Sequence	13
8.3 Further Assistance	13



1 Quick Facts

General	
Dynamic Range	12 bit
Resolution	1920x1080
Frame Rate at Full Resolution	120
Pixel Formats	12-Bit Monochrome

Optical Interface	
Sensor Type	Sony IMX290LQR-C
Shutter Type	Rolling
Sensor Format	1/2.8 inch
Pixel Size	2.9 μm

Electrical Interface	
Interface	The Imaging Source MIPI CSI-2 Sensor Board Connector
Number of active CSI lanes	4
Supply voltage	5V ($\pm 10\%$)
Current consumption	approx 95 mA @ 5 VDC

Mechanical Data	
Dimensions	H: 30 mm, W: 30 mm, L: 5.45 mm
Mass	4 g

Adjustments	
Shutter	15 μs to 1 s
Gain	0 dB to 72 dB



Environmental	
Temperature (operating)	-5 °C to 45 °C
Temperature (storage)	-20 °C to 60 °C
Humidity (operating)	20 % to 80 % (non-condensing)
Humidity (storage)	20 % to 95 % (non-condensing)



2 Electrical Characteristics

2.1 Absolute Maximum Ratings

Item	Symbol	Pins	Min	Max	Unit
Supply voltage	V_IN	+5V_VDD	-0.3	+6.0	V
I/O voltage	V_IO	CAM_PWR RESET CLK STROBE TRIGGER	-0.3	+2.1	V
I2C voltage	V_I2C	I2C_SCL I2C_SDA	-0.3	+2.1	V

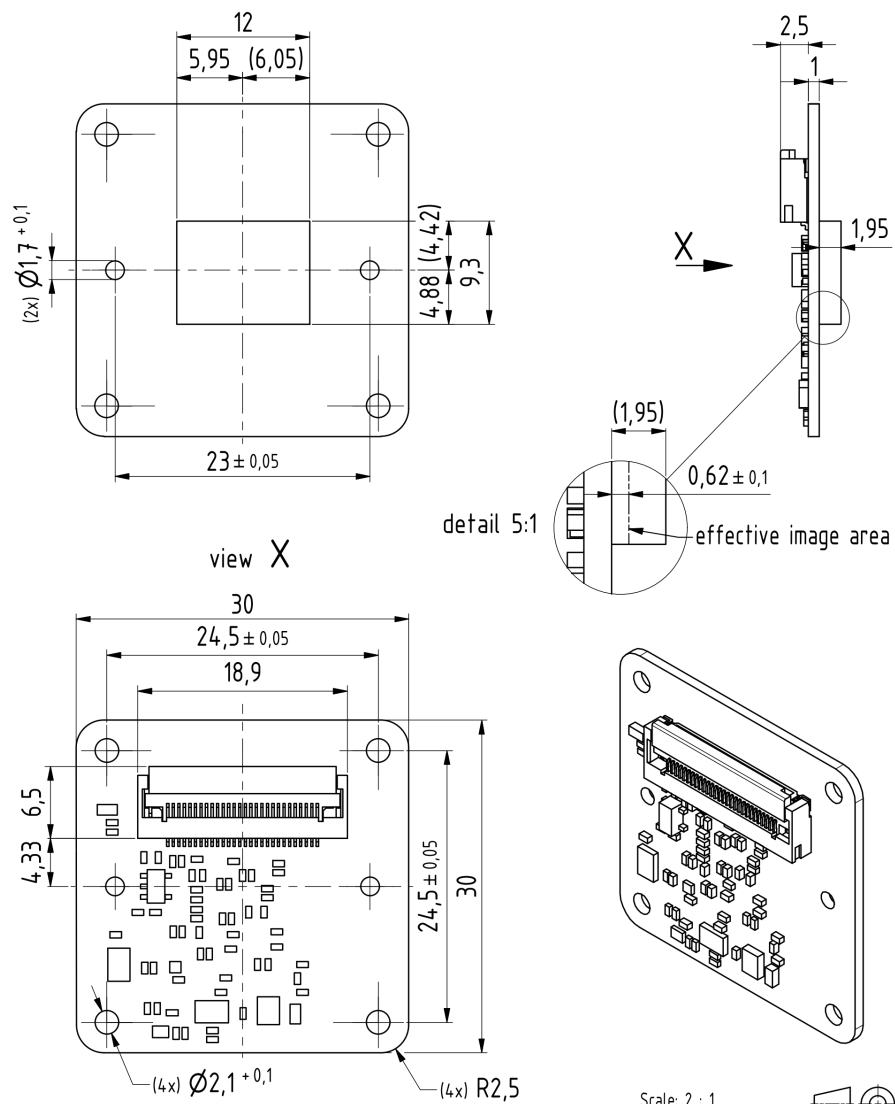
2.2 Recommended Operating Conditions

Item	Symbol	Pins	Min	Typ	Max	Unit
Supply voltage	V_IN	+5V_VDD	4.5	5.0	5.5	V
I/O voltage	V_IO	CAM_PWR RESET CLK STROBE TRIGGER	1.7	1.8	1.9	V
I2C voltage	V_I2C	I2C_SCL I2C_SDA	1.7	1.8	1.9	V



3 Dimensional Diagrams

3.1 DMM 36MX290-ML Board Camera



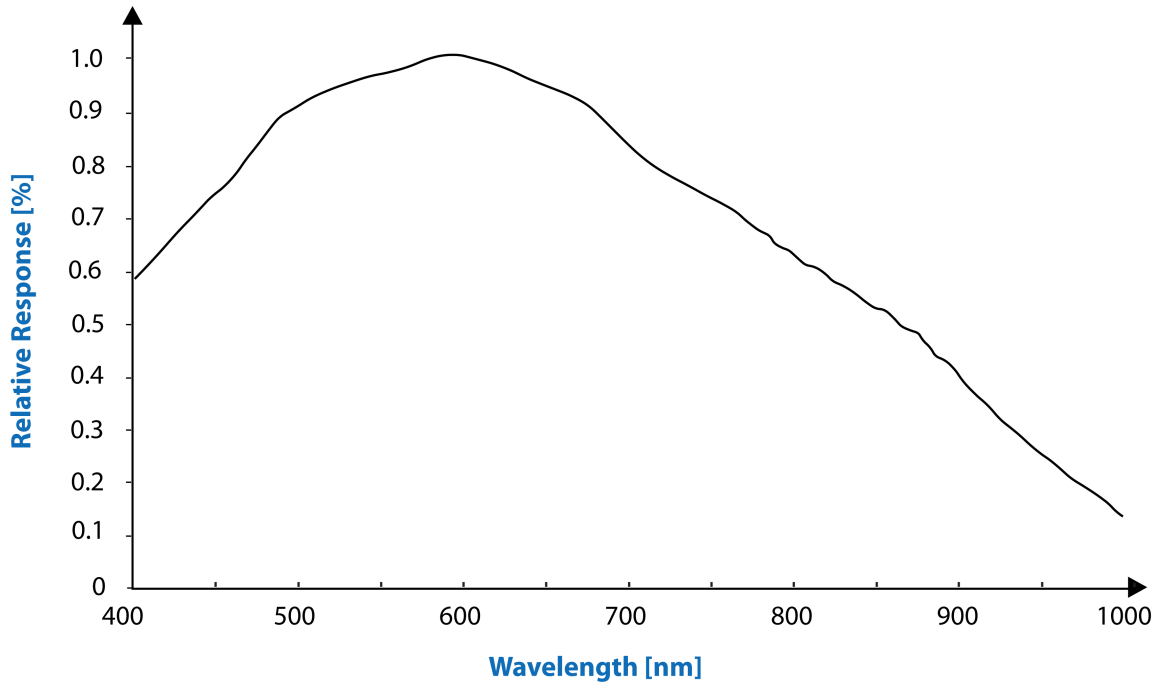
Scale: 2 : 1
 Dimensions: mm
 Tolerances: DIN ISO 2768-m
 289-20-0-01-00



4 Spectral Characteristics

4.1 Spectral Sensitivity - IMX290LQR-C

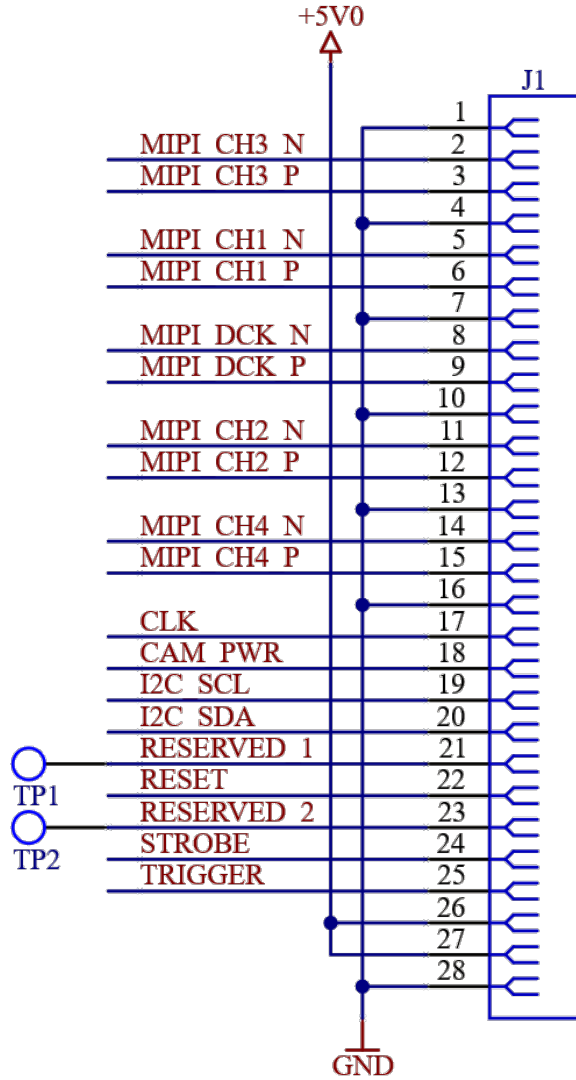
Sensor: Sony IMX290 - courtesy of Sony Deutschland GmbH





5 Connector Description

The DMM 36MX290-ML sensor board is connected to the system via the *The Imaging Source MIPI CSI-2 Sensor Board Connector*.





#	Name	Type	Description
1	GND	GND	Ground
2	MIPI_CH3_N	O	MIPI CSI-2 output
3	MIPI_CH3_P	O	MIPI CSI-2 output
4	GND	GND	Ground
5	MIPI_CH1_N	O	MIPI CSI-2 output
6	MIPI_CH1_P	O	MIPI CSI-2 output
7	GND	GND	Ground
8	MIPI_DCK_N	O	MIPI CSI-2 clock
9	MIPI_DCK_P	O	MIPI CSI-2 clock
10	GND	GND	Ground
11	MIPI_CH2_N	O	MIPI CSI-2 output
12	MIPI_CH2_P	O	MIPI CSI-2 output
13	GND	GND	Ground
14	MIPI_CH4_N	O	MIPI CSI-2 output
15	MIPI_CH4_P	O	MIPI CSI-2 output
16	GND	GND	Ground
17	CLK	I	Reference clock input (with 1k pull-down/termination resistor on sensor board)
18	CAM_PWR	I	High active camera power enable signal (10k pull-down on sensor board)
19	I2C_SCL	I/O	I2C serial clock
20	I2C_SDA	I/O	I2C serial data
21	RESERVED_1	I	Do not use
22	RESET	I	Reset sensor to default state when low (2.2k pull-down on sensor board)
23	RESERVED_2	I	Do not use
24	STROBE	O	Do not use
25	TRIGGER	I	Do not use
26	+5V_VDD	PWR	5V ($\pm 10\%$) power supply
27	+5V_VDD	PWR	5V ($\pm 10\%$) power supply
28	GND	GND	Ground



All I/Os have the same I/O voltage of 1.8V. The manufacturer part number of the Hirose connector is FH28D-28S-0.5SH(98).



6 CSI Lane Configurations

The DMM 36MX290-ML sensor board can be operated with 2 or 4 CSI lanes connected.

The following table shows the relationship between used CSI lanes and maximum frame rate:

No of CSI Lanes	Bits Per Pixel	Maximum Frame Rate at Full Resolution
4	12	120
2	12	60



7 I2C Devices

There are multiple I2C devices on the DMM 36MX290-ML sensor board. The following table describes the parts and their I2C addresses:

Address (7-bit)	Device	Description
0x1A	IMX290LQR-C	Image Sensor
0x50	AT24C256C	EEPROM
0x57	AT24C02C	EEPROM



8 Programming the Image Sensor

The data sheet for the IMX290LQR-C image sensor is not publicly available.

8.1 Input Clock

The CLK pin has to be connected to a clock source. The following table lists the ranges of clock frequencies that are supported by the image sensor:

Minimum	Typical	Maximum	Unit
35.64	37.125	37.867	Hz
71.28	74.25	75.735	Hz

The driver provided by The Imaging Source assumes a CLK frequency of **37 MHz**. For quick integration with existing software, using this frequency is recommended.

8.2 Power-up Sequence

Delay	Action
-	Set RESET to Hi-Z
-	Set CAM_PWR to Hi-Z
-	Supply 5V to 5V_VDD
-	Supply sensor clock to CLK
1 μ s	Set CAM_PWR to high
20 μ s	Set RESET to high
11 ms	Write sensor registers

8.3 Further Assistance

For more detailed information, register settings and assistance integrating the sensor board into your product, please contact The Imaging Source support.



DMM 36MX290-ML

All product and company names in this document may be trademarks and tradenames of their respective owners and are hereby acknowledged.

The Imaging Source Europe GmbH cannot and does not take any responsibility or liability for any information contained in this document. The source code presented in this document is exclusively used for didactic purposes. The Imaging Source Europe GmbH does not assume any kind of warranty expressed or implied, resulting from the use of the content of this document or the source code.

The Imaging Source Europe GmbH reserves the right to make changes in specifications, function or design at any time and without prior notice.

Last update: September 2021

© 2021 The Imaging Source Europe GmbH

All rights reserved. No part of this publication may be reproduced, distributed, or transmitted in any form or by any means, including photocopying, recording, or other electronic or mechanical methods, without the prior written permission of the publisher, except in the case of brief quotations embodied in critical reviews and certain other noncommercial uses permitted by copyright law.

All weights and dimensions are approximate. Unless otherwise specified, the lenses shown in the context of cameras are not shipped with these cameras.

Headquarters:

*The Imaging Source Europe GmbH
Überseetor 18, D-28217 Bremen, Germany
Phone: +49 421 33591-0*

North & South America:

*The Imaging Source, LLC
6926 Shannon Willow Rd, S 400, Charlotte, NC 28226, USA
Phone: +1 704-370-0110*

Asia Pacific:

*The Imaging Source Asia Co., Ltd.
2F., No.8, Xinhua 1st Road
Taipei City 114, Neihu District, Taiwan
Phone: +886 2-2792-3153*

www.theimagingsource.com